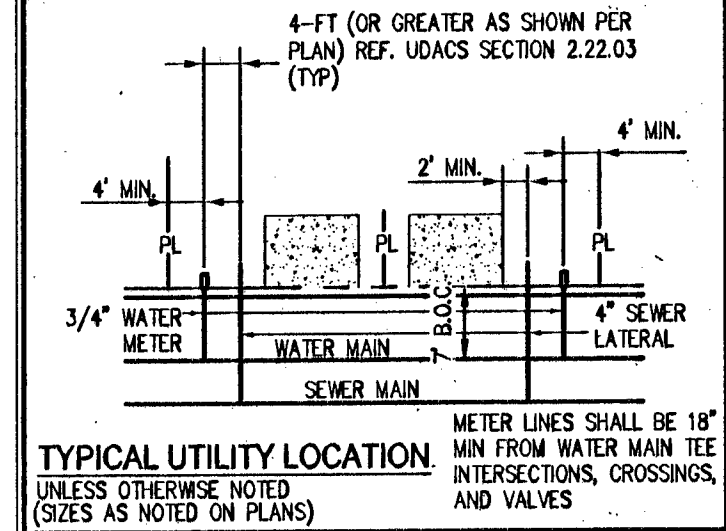
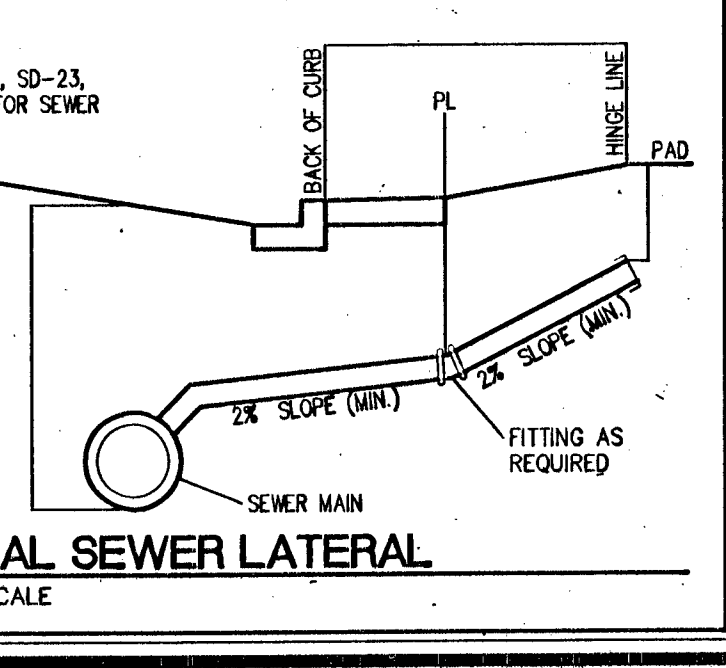


TYPICAL FIRE HYDRANT LOCATION DETAIL



TYPICAL UTILITY LOCATION

DISCLAIMER NOTE
EXISTING UTILITY LOCATIONS SHOWN HEREON ARE APPROXIMATE ONLY. IT SHALL BE THE CONTRACTOR'S RESPONSIBILITY TO DETERMINE THE EXACT VERTICAL AND HORIZONTAL LOCATION OF ALL EXISTING UNDERGROUND UTILITIES PRIOR TO COMMENCING CONSTRUCTION. NO REPRESENTATION IS MADE THAT ALL EXISTING UTILITIES ARE SHOWN HEREON. THE ENGINEER ASSUMES NO RESPONSIBILITY FOR UTILITIES NOT SHOWN IN THEIR PROPER LOCATION.



TYPICAL SEWER LATERAL

WATER NOTES

- 1) REMOVE CAP AND BLOW OFF PER UDACS PLATE NO. 36, AND CONNECT TO EXISTING 8" MAIN
- 2) INSTALL 8" PVC (CLASS 150) WATER PIPE
- 3) INSTALL 8" PVC (CLASS 150) WATER PIPE
- 4) INSTALL 3/4" WATER METER PER UDACS PLATE # 2 (TYP)
- 5) INSTALL 8" x 8" TEE WITH THRUST BLOCKS PER UDACS PLATE # 31
- 6) INSTALL CAP AND 2" BLOWOFF VALVE PER UDACS PLATE # 36
- 7) INSTALL 8" x 8" TEE PER UDACS PLATE # 31 AND FIRE HYDRANT ASSEMBLY WITH 8" GATE VALVE PER UDACS PLATE #30, #38 AND #40
- 8) INSTALL 45' BEND PER UDACS PLATE #31
- 9) INSTALL 5' HORIZONTAL BEND (RESTRAIN BOTH ENDS)
- 10) INSTALL 11.25' BEND PER UDACS PLATE #31
- 11) 8" GATE VALVE WITH VALVE BOX PER UDACS PLATE NO. 30 & 39
- 12) 1" MAX. DEFLECTION
- 13) INSTALL 8"x6" REDUCER PER UDACS PLATE #30
- 14) INSTALL 1" IRRIGATION METER PER UDACS PLATE #4 W/ 1" BACKFLOW PREVENTION ASSEMBLY PER UDACS PLATE #8
- 15) INSTALL 8" DIP (CLASS 350) WATER PIPE

SEWER NOTES

- ◆ INSTALL 8" PVC SANITARY SEWER PIPE
- ◆ INSTALL 48" DIAMETER SANITARY SEWER MAHOLE PER DOWNS SD-1A & SD-1B.
- ◆ INSTALL 4" SEWER LATERAL PER SD-22, SD-23, & SD-25 W/ 8" x 4" WYE (TYPICAL).
- ◆ STUB AND CAP 8" SS (WITH THRUST BLOCK PER DETAIL ON SHEET U-1)
- ◆ PROTECT SEWER PER SD-21

REDUCED PRESSURE PRINCIPLE ASSEMBLY (RPP) 1"
APPROVED REDUCED PRESSURE PRINCIPLE ASSEMBLY (S) SHALL BE INSTALLED PER THE UDACS PLATE NO. 8 & NO WATER SHALL BE TAKEN FROM A SERVICE REQUIRING BACKFLOW PREVENTION UNTIL THE REDUCED PRESSURE PRINCIPLE ASSEMBLY HAS BEEN SUCCESSFULLY TESTED BY THE LVWD. ANY BLOCK WALL OR OUTER FENCE MATERIAL SHALL BE DESIGNED AND CONSTRUCTED AROUND THE OUTSIDE OF THE EASEMENTS TO ALLOW THE DISTRICT DIRECT ACCESS FROM THE ADJACENT RIGHT-OF-WAY. EASEMENTS SHALL BE CLEARLY MARKED OR STAKED PRIOR TO THE START OF CONSTRUCTION.

BENCHMARK
RIVET & PLATE IN TOP OF CURB IN THE SOUTHEAST CORNER OF DESERT MOON ROAD & DESERT SURRIDGE ROAD, 71.093451666 NAVD 88 ELEVATION = 1008.289 METERS = 3301.47 FEET

BASIS OF BEARING
NORTH 05°59'55" WEST, BEING THE BEARING OF THE WEST LINE OF SECTION 34, TOWNSHIP 20 SOUTH, RANGE 59 EAST, N.D.M., CITY OF LAS VEGAS, CLARK COUNTY, NEVADA, AS SHOWN BY MAP THEREON ON FILE IN BOOK 143, PAGE 47 OF PLATS IN THE CLARK COUNTY RECORDER'S OFFICE, NEVADA.

INSTALL PIPELINE MARKER BALLS IN TRENCH ABOVE EACH HORIZONTAL ELBOW FITTING PER UDACS PLATE NO. 15

WATER MAIN JOINT DEFLECTION (PVC, 4" - 24")
PVC PIPE SHALL BE DEFLECTED AT THE JOINT ONLY. THE MAXIMUM ALLOWABLE DEFLECTION SHALL BE ONE (1) DEGREE PER JOINT WITH A MINIMUM RADIUS OF CURVATURE OF 1,150 FEET, PER UDACS 2.07.01 AND 2.07.02.

FOR CHANGES IN DIRECTION EXCEEDING THE MAXIMUM ALLOWABLE JOINT DEFLECTION, FITTINGS SHALL BE USED.

LOTS: 9 THRU 21 AND 38 THRU 43
THIS PROPERTY MAY HAVE STATIC WATER PRESSURE IN EXCESS OF 80 PSI. THE UNIFORM PLUMBING CODE REQUIRES THAT INDIVIDUAL, ON-SITE (PRIVATE), PRESSURE-REDUCING VALVES BE INSTALLED WHENEVER THE PRESSURE EXCEEDS 80 PSI. PRV'S ARE THE DEVELOPER'S RESPONSIBILITY, AND WILL NOT BE INSPECTED OR INCLUDED IN THE ACCEPTANCE OF LVWD FACILITIES.

LATERAL CROSSING NOTE
WHEN A WATER LATERAL MUST CROSS OVER A SEWER MAIN OR SEWER LATERAL WITH LESS THAN EIGHTEEN (18) INCHES CLEARANCE, THE PROVISIONS OF UDACS SECTION 2.22.03.B3 SHALL APPLY.

ALL SEWER/STORM DRAINS CROSSING WATER LINES MUST CONFORM TO SECTION 2.22 OF THE UNIFORM DESIGN AND CONSTRUCTION STANDARDS FOR POTABLE WATER SYSTEMS (UDACS) FOR WATER AND STORM MAIN CROSSINGS AND CLEARANCES.

GENERAL NOTES

1. REPLACE ALL TRAFFIC CONTROL DEVICES (SIGNS AND/OR PAVEMENT MARKINGS), UNDER CLARK COUNTY'S JURISDICTION, THAT ARE DISTURBED, DESTROYED, MOVED OR MODIFIED BY TRENCHING ACTIVITIES TO CLARK COUNTY'S SATISFACTION. ALL MATERIAL USED SHALL MEET CLARK COUNTY'S SPECIFICATIONS OR WILL BE AN APPROVED EQUIVALENT.
2. IN THE EVENT THAT THE TRAFFIC SIGNAL CONDUITS, LOOP DETECTORS OR ASSOCIATED EQUIPMENT ARE DAMAGED BY CONTRACTOR, THE CONTRACTOR WILL HIRE AN IWSA LEVEL II ELECTRICAL CONTRACTOR TO MAKE REPAIRS PER UNIFORM SPECIFICATION NO. 0224.01.02.
3. ALL SEWER/STORM DRAINS CROSSING WATER LINES MUST CONFORM TO SECTION 2.22 OF THE UNIFORM DESIGN AND CONSTRUCTION STANDARDS FOR POTABLE WATER SYSTEMS (UDACS) FOR WATER AND STORM MAIN CROSSINGS AND CLEARANCES.
4. THE CONTRACTOR IS TO VERIFY THE ACTUAL FIELD CONDITIONS OF ALL LOTS AND INSTALL SEWER CHECK VALVES WHERE REQUIRED PER THE LATEST EDITION OF THE UNIFORM PLUMBING CODE.
5. FITTINGS SHALL NOT FALL UNDER CURBS, GUTTERS OR SIDEWALK.

APPROVAL
R. G. Smith 4/12
LAS VEGAS FIRE AND RESCUE

APPROVED FOR CONSTRUCTION
Don Meade
LAS VEGAS VALLEY DISTRICT ENGINEERING SERVICES MANAGER
DATE: 4/12 PROJECT NO. 120995
LVWD APPROVED FIRE FLOW 1,250 GPM AT 20 PSI RESIDUAL

SUMMERLIN
SUMMERLIN RESIDENTIAL DESIGN REVIEW COMMITTEE DATE
THIS SIGNATURE IS LIMITED TO APPROVAL OF THESE DOCUMENTS FOR CONFORMANCE TO THE DESIGN INTENT OF THE APPLICABLE DESIGN CRITERIA. NEITHER SUMMERLIN NOR THE SUMMERLIN RESIDENTIAL DESIGN REVIEW COMMITTEE ASSUMES RESPONSIBILITY FOR PLAN CONFORMANCE WITH APPLICABLE LAWS, ORDINANCES, AND CODES.

DATE	BY	APP. DATE	DESCRIPTION

LENNAR
LAS VEGAS, NEVADA
CATALINA PHASE 1
UTILITY PLAN II

DATE: 10/31/12
DRAFTER: BCC
DESIGNER: BCC
CHECKED: STS
PROJECT NO. **LEN1202-000**

1-612
U-2
SHEET 11 OF 12
4-10-06 10715398

I:\New\1202-000_sum_023_served\Utility\mccomb\phase 1\util1202-000_util1.dwg 10/31/2012 4:41 PM Brian Chomson