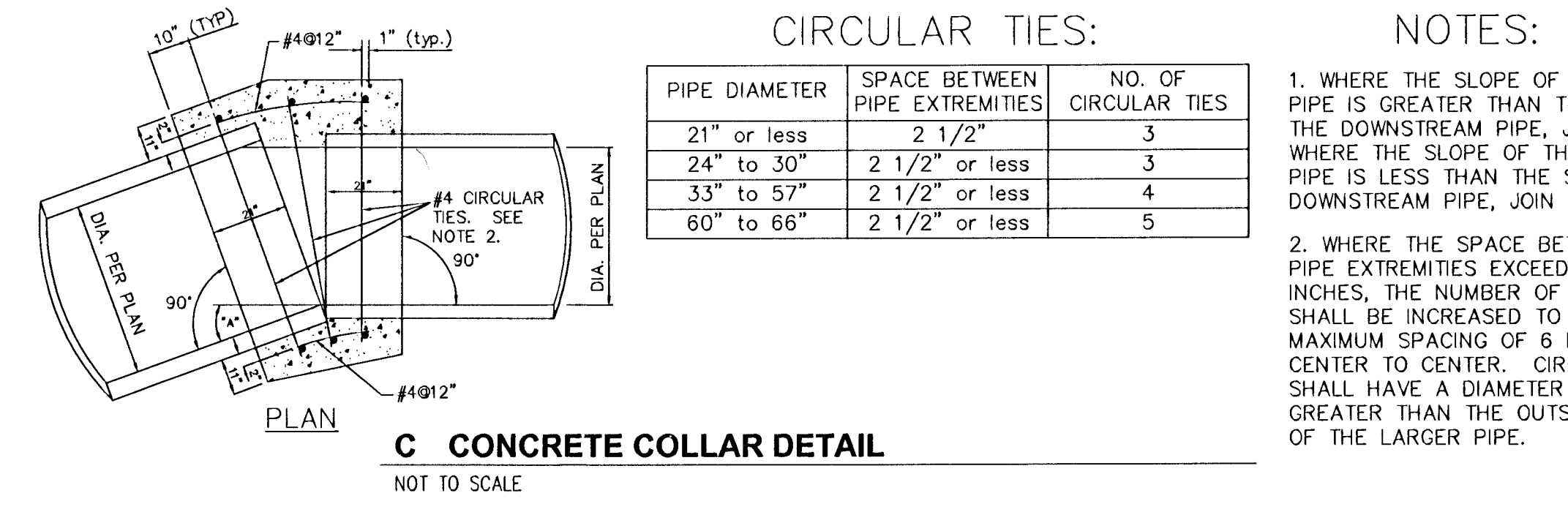
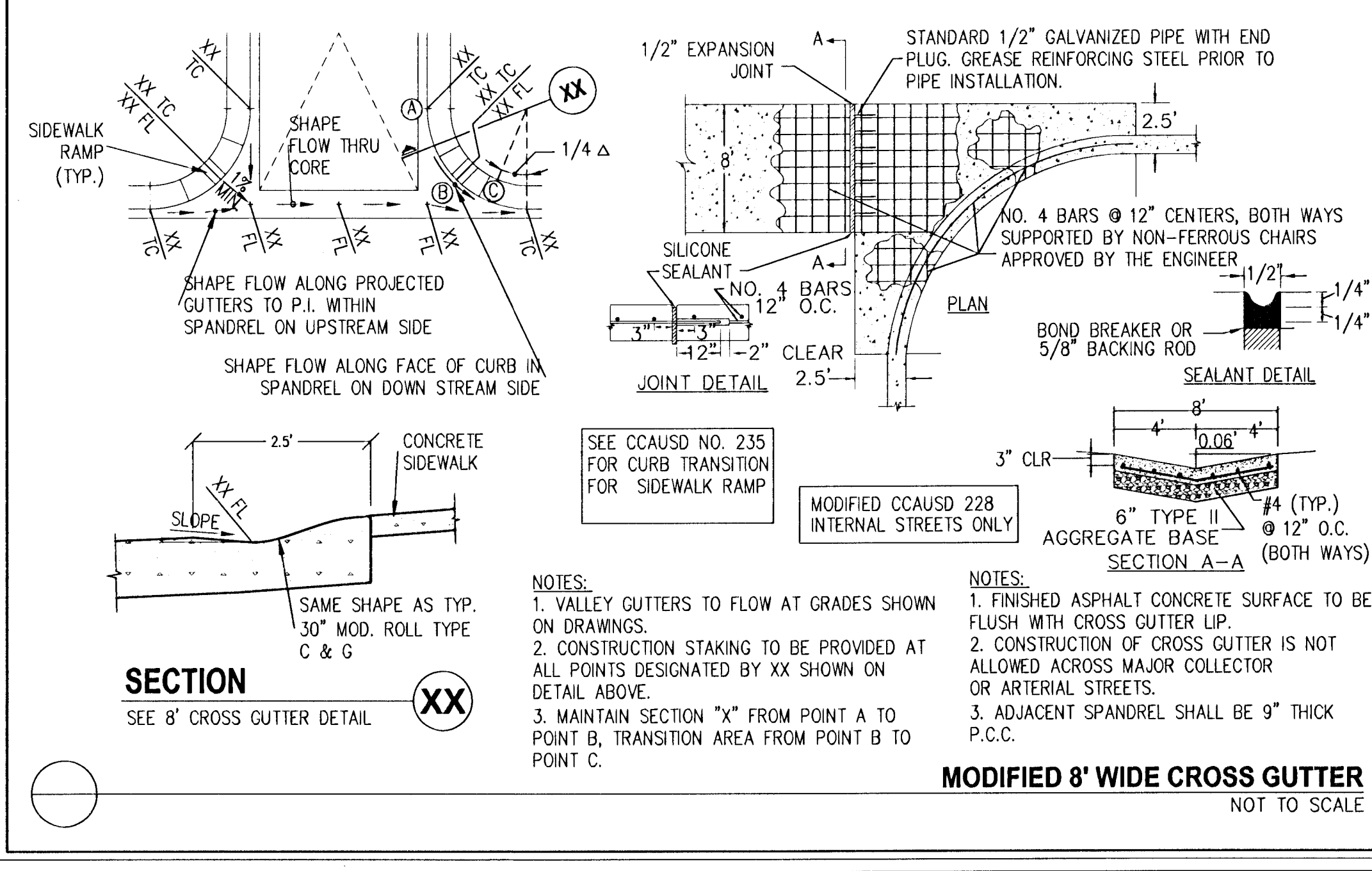
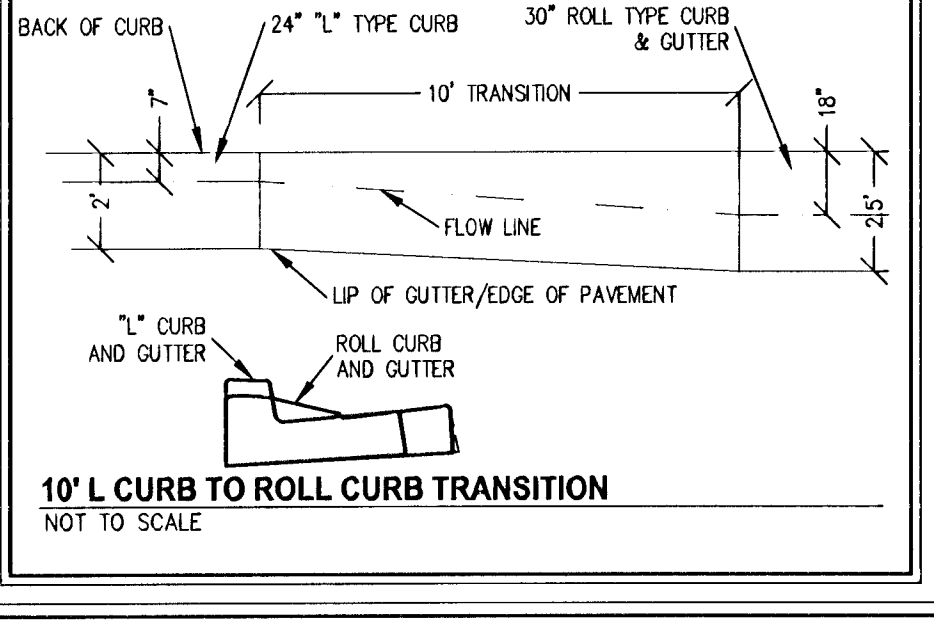
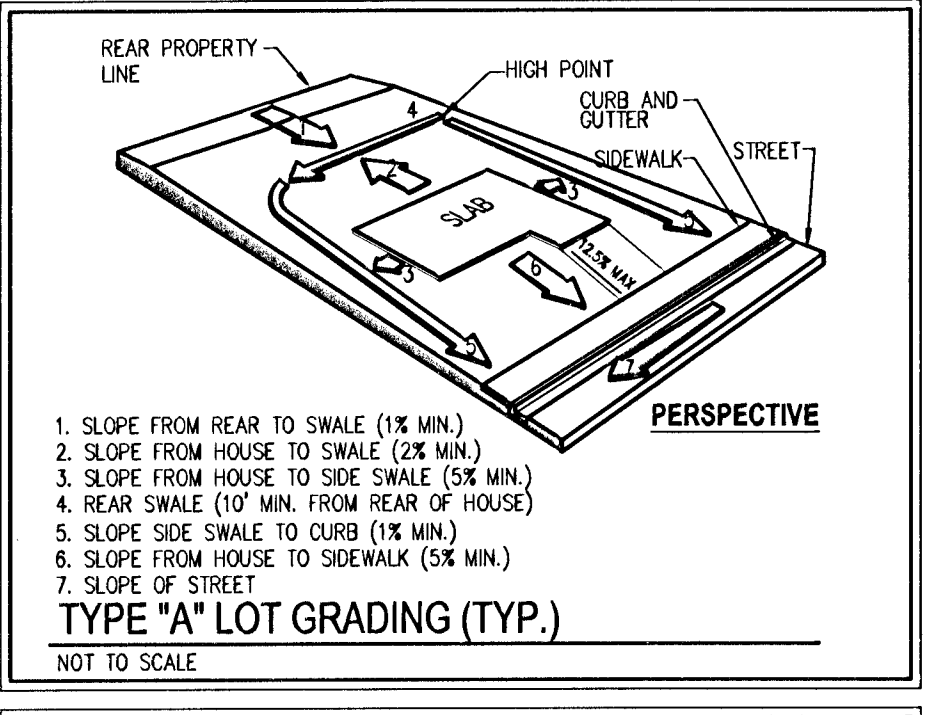


APPROVED FOR CONSTRUCTION
Don Meade
LAS VEGAS WATER DISTRICT ENGINEERING SERVICES MANAGER
DATE: 11/08/12 PROJECT NO. 120995



SLATER HANIFAN GROUP
CONSULTING ENGINEERS & PLANNERS
5740 S. ARVILLE STREET #216, LAS VEGAS, NV 89118
PHONE (702) 284-6300 FAX (702) 284-6380

| NO. | DESCRIPTION | DATE | BY | APP. |
|-----|-------------|------|----|------|
| | | | | |
| | | | | |
| | | | | |
| | | | | |
| | | | | |
| | | | | |
| | | | | |
| | | | | |
| | | | | |

LAS VEGAS, NEVADA

LENNAR
CATALINA PHASE 1
GRADING SECTIONS AND DETAILS

DATE: 10/31/12
DRAFTER: BCC
DESIGNER: BCC
CHECKED: STS

PROJECT NO.
LEN1202-000

PROFESSIONAL ENGINEER - STATE OF NEVADA
JERRY S. HANIFAN
No. 14187
10-31-12

D-1
SHEET 5 OF 12

H# 46965
DWG# 101V5898