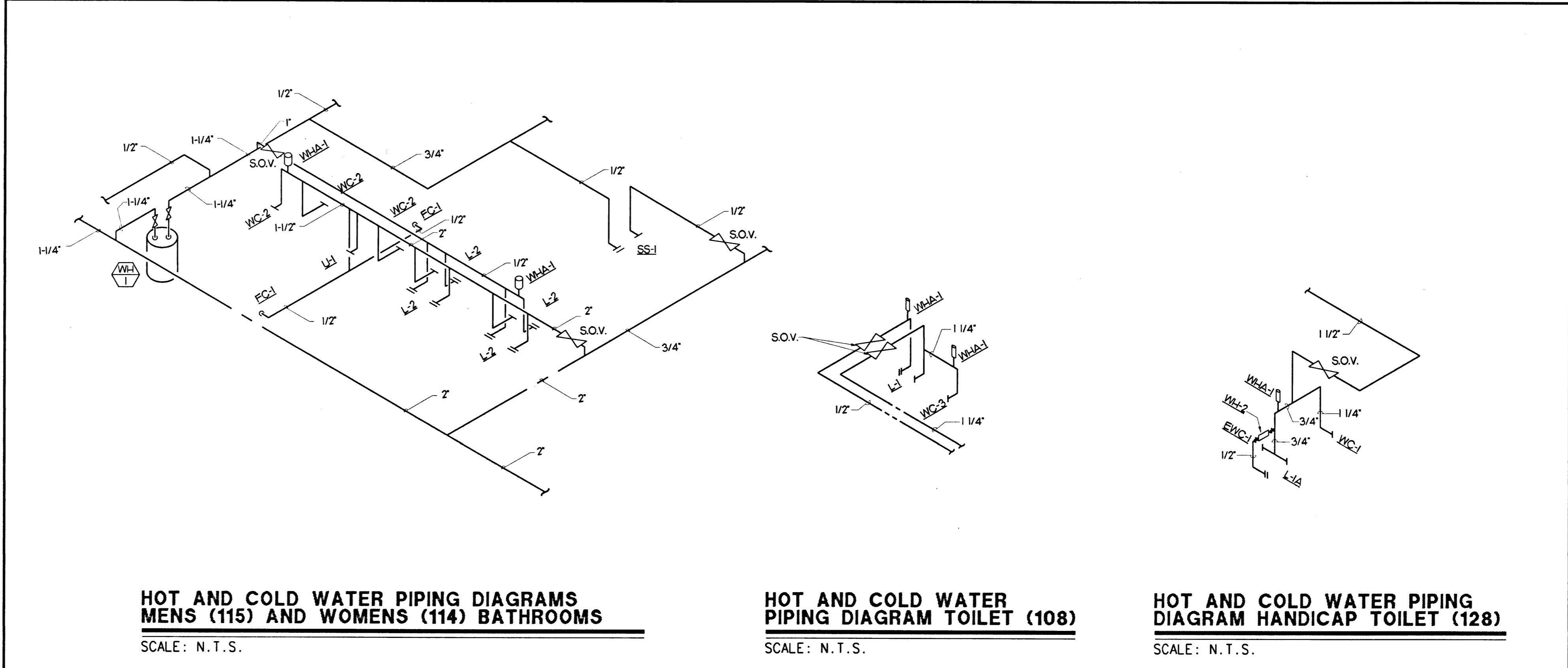
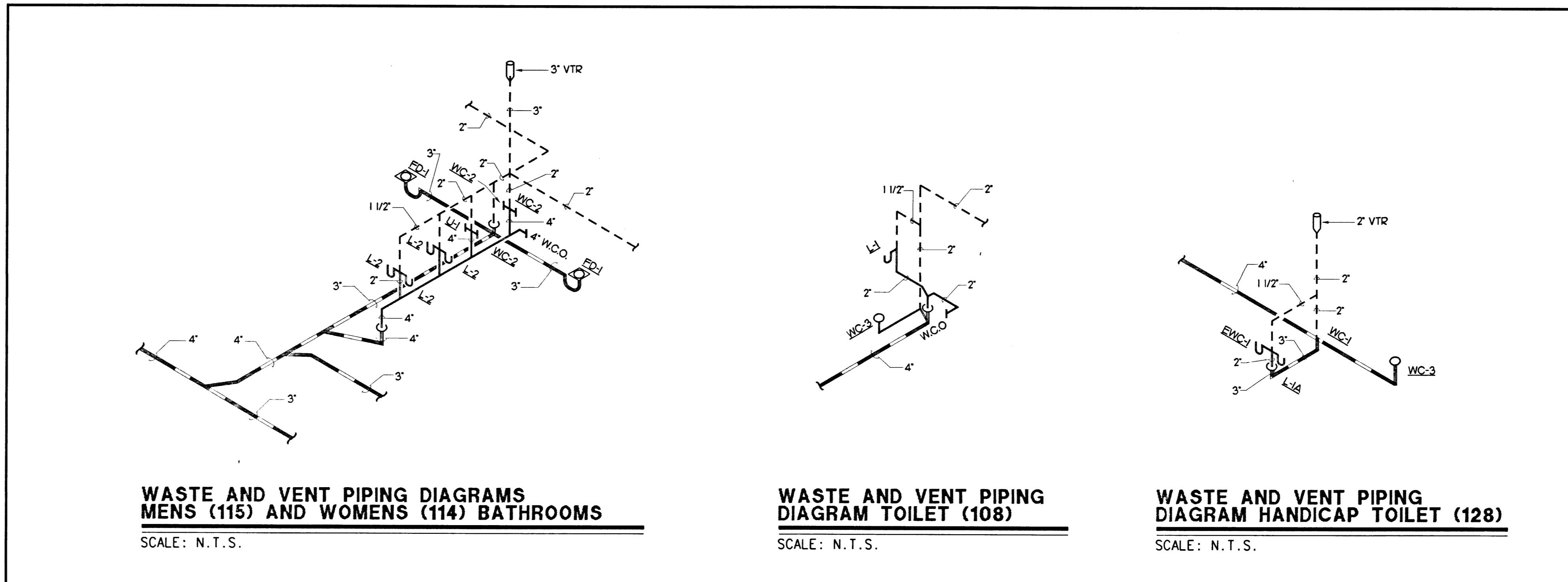
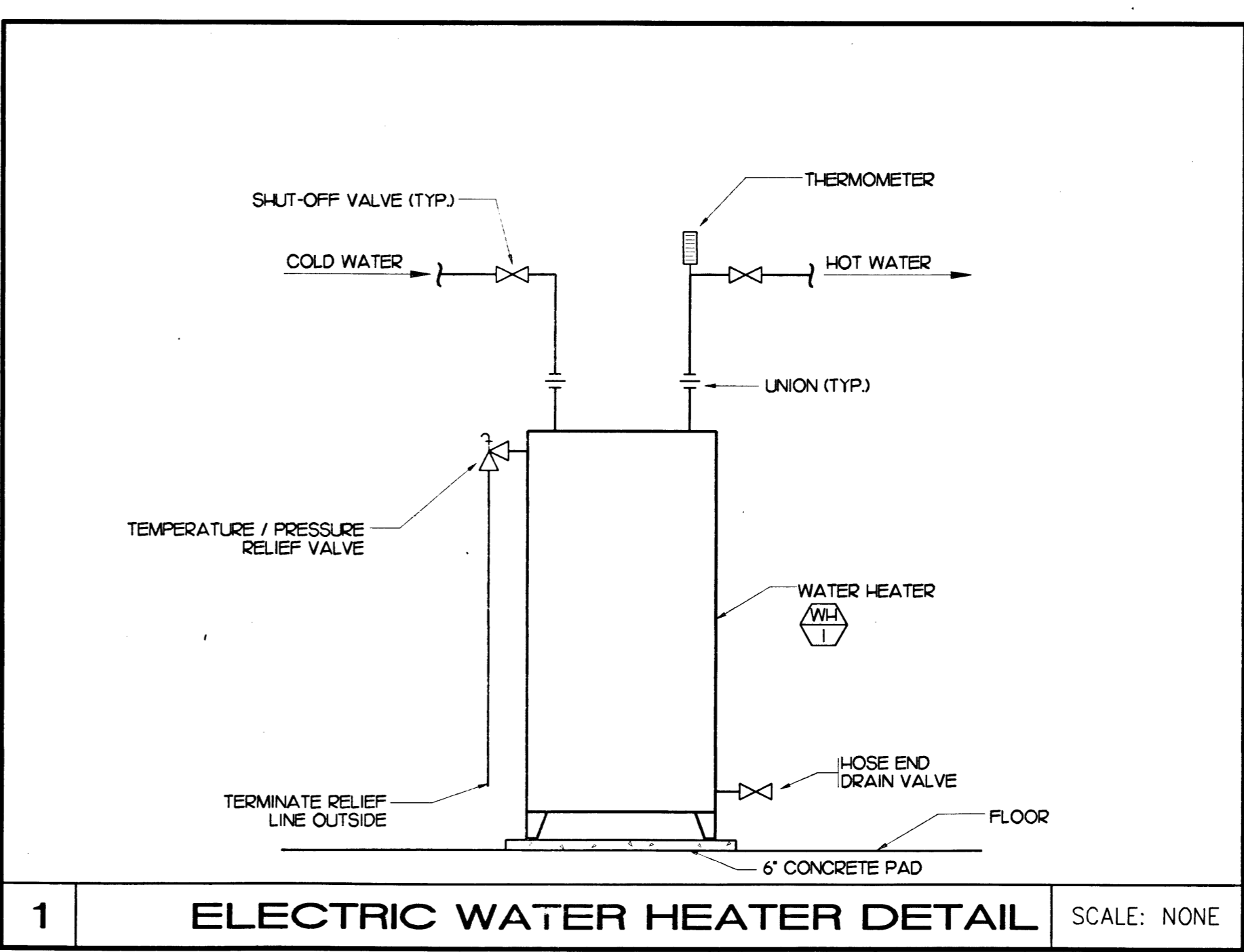


PLUMBING FIXTURE SCHEDULE						
SYMBOL	DESCRIPTION	CONNECTIONS				MANUF./MODEL NO. OR EQUAL
		WASTE	VENT	CW	HW	
WC-1	WATER CLOSET	4"	2"	1 1/4"	--	AMERICAN STD. CADET #9468.018 18" HIGH, HANDICAPPED, ELONGATED FLOOR SAVER W/ SIPHON JET FLUSHING ACTION, 1-1/2" SPUD, SLOAN ROYAL 115-3 OLSONITE #95 SEAT.
WC-2	WATER CLOSET	4"	2"	1 1/4"	--	AMERICAN STD. INSTANTO #2512.010: BLOWOUT; ELONGATED BOWL; WALL MT.; 1-1/2" SPUD, VITREOUS CHINA, SLOAN 110-3 VALVE; CHROME 5121-070 SEAT; J.R. SMITH 310-Y CARRIER.
WC-3	WATER CLOSET	4"	2"	1 1/4"	--	AMERICAN STD. MADERA #2221.018 ELONGATED BOWL, SIPHON JET ACTION, VITREOUS CHINA, FLOOR MOUNT, 1-1/2" SPUD, SLOAN ROYAL 110-3, OLSONITE #95 SEAT.
L-1 L-1A	LAVATORY	1-1/2"	1-1/2"	1/2"	1/2"	AMERICAN STD. DECLYN #0321.026: VITREOUS CHINA, FRONT OVERFLOW SOAP DEPRESSION, J.R. SMITH #700 CONCEALED ARM CARRIER; SYMMONS SCOT S-60 FAUCET; CHROME FINISH; GRID DRAIN; L-1A: MOUNT @ HOC, HEIGHT AND PROVIDE TRAP COVER WITH SYMMONS SCOT S-90-FR-W FAUCET.
L-2	LAVATORY	1-1/2"	1-1/2"	1/2"	1/2"	AMERICAN STD. AQUALYN #0476.028, SELF-RIMMING VITREOUS CHINA, FAUCET LEDGE, FRONT OVERFLOW, SYMMONS SCOT S-60-G FAUCET & DRAIN ASSEMBLY.
FD-1	FLOOR DRAIN	2"	1-1/2"	--	--	JAY R. SMITH #2005-A-P-U: DUCO IRON BODY, FLASHING COLLAR WITH PROTECTOR CAP; TRAP PRIMER CONN.; VANDAL-PROOF SCREWS.
U-1	URINALS	2"	1-1/2"	1"	--	AMERICAN STD. WASHBROOK #6501 WALL HUNG W/ SLOAN ROYAL 188 FLUSH VALVE, FURNISH 1/8"x6" STUDS FOR SUPPORT.
SS-1	SERVICE SINK	3"	1-1/2"	1/2"	1/2"	AMERICAN STD. FLORWELL #7740.020: ENAMELED CAST IRON, CORNER FLOOR MODEL, 3" OUTLET, DRAIN CHANNELS, #7745.011 RIM GUARD, HERITAGE FAUCET SET #B344.11 WITH 1/2-3/4" SPOUT, 3/4" HOSE OUTLET, VACUUM BREAKER, BUCKET HOOK, BRACE, CHROME FINISH, #7721.038 3" DRAIN WITH STRAINER.
TP-1	TRAP PRIMER VALVE	--	--	1/2"	--	PRECISION PLUMBING PRODUCTS #P-2: BRASS CONSTRUCTION, O-RING SEALS, 1/2" INLET AND OUTLET, IN-LINE METERING VALVE.
EWC-1	ELECTRIC WATER COOLER	1-1/2"	1-1/2"	1/2"	--	SELECTED BY ARCHITECT.
S-1	SINK	1-1/2"	1-1/2"	1/2"	1/2"	ELKAY LUSTERTONE LR-1918 SINGLE COMPARTMENT STAINLESS STEEL 19"X18" SINK; 18 GAUGE TYPE 302 SELF-RIM ELKAY FAUCET #LK-232-S HIGH ARC, TWO HANDLE CONCEALED-MOUNT, AERATOR 1/2 I.P. SHANKS, 3-HOLE INSTALL; ELKAY DRAIN #LK-3S STAINLESS STEEL DUO STRAINER W/ NEOPRENE STOPPER & 1-1/2" TAILPIECE, CHICAGO #1003 FAUCET STOPS WITH FLEXIBLE RISER, CAST BRASS ESCUTCHEONS WITH SET SCREWS.
RD-1	ROOF DRAIN	SEE PLANS	--	--	--	JAY R. SMITH #1010-Y-3 DUCO CAST IRON BODY
ORD-1	OVERFLOW ROOF DRAIN	SEE PLANS	--	--	--	JAY R. SMITH #1070-Y-3 DUCO CAST IRON BODY
RD-2	ROOF DRAIN	SEE PLANS	--	--	--	JAY R. SMITH #1010-Y-2 DUCO CAST IRON BODY
ORD-2	OVERFLOW ROOF DRAIN	SEE PLANS	--	--	--	JAY R. SMITH #1070-Y-2 DUCO CAST IRON BODY

PLUMBING EQUIPMENT SCHEDULE		
SYMBOL	DESCRIPTION	MFR./MODEL NO. OR EQUAL
WH-1	ELECTRIC WATER HEATER	LOCHINVAR #510400K: 40 GAL. TWO 4500 WATTS ELEMENTS. SEE ELECTRICAL DRAWINGS FOR VOLTAGE.
WH-2	INSTANTANEOUS WATER HEATER	CHROMOMITE #S-601 INSTA-FLOW HOT WATER HEATER, 6000 WATTS. SEE ELECTRICAL DRAWINGS FOR VOLTAGE.
BFP-1	BACKFLOW PREVENTER	WATTS #909; REDUCED PRESSURE TYPE.



PLUMBING SYMBOLS LEGEND			
—	SOIL OR WASTE (ABOVE GRADE)	—	FLOOR CLEAN OUT (F.C.O.)
- - -	NEW WASTE (BELOW GRADE)	—	WALL CLEAN OUT (W.C.O.)
- - -	VENT	—	WATER HAMMER ARRESTOR (W.H.A.)
—	COLD WATER	—	PLUMBING FIXTURE NUMBER
—	HOT WATER		
G	NATURAL GAS LINE		
O	ROOF DRAIN (RD)		
O	OVERFLOW ROOF DRAIN (ORD)		
SD	STORM DRAIN		
OSD	OVERFLOW STORM DRAIN		
CD	CONDENSATE DRAIN		
SE	DEEP SEAL TRAP		
—	PIPE ELBOW DOWN		
—	PIPE ELBOW UP		
—	GATE VALVE		
—	SHUT-OFF VALVE (S.O.V.)		
—	UNION		



REVISIONS			
REV	DESCRIPTION	DATE	BY
1	OWNER REQUESTED CHANGE	1-29-92	RR

© DOMINGO CAMBEIRO CORPORATION 1990

CONSULTING ENGINEERS  
MECHANICAL / ELECTRICAL

**DUNHAM ASSOCIATES**  
3075 East Flamingo Road, Suite 100  
Las Vegas, NV 89121  
(702) 369-7011 FAX (702) 369-5853

All designs, arrangements and plans indicated or presented by this drawing, as instruments of service, are owned by and the property of DOMINGO CAMBEIRO CORPORATION. The use of these plans and/or specifications shall be restricted to the original site for which they were prepared and publication thereof is expressly limited to such use. Reproduction, publication or re-use by any method, in whole or part, is prohibited. None of such designs, arrangements or plans shall be used by or disclosed to any person, firm, agency, or corporation without the written permission of DOMINGO CAMBEIRO CORPORATION. Visual contact with these plans and specifications shall constitute prima facie evidence of acceptance of these restrictions.

DRAWN BY: W.M.H.  
CHECKED BY: R.R.  
ISSUED DATE: 1-16-1992

**PLUMBING SCHEDULES AND DETAILS**

*Domingo Cambeiro Corporation*

ARCHITECTURE  
ENGINEERING  
INTERIORS

3555 PECOS-MCLEOD IC.  
LAS VEGAS, NEVADA 89121  
(702) 732-0084

**ADMINISTRATION BUILDING DETENTION FACILITY EXPANSION CITY OF LAS VEGAS, NEVADA**

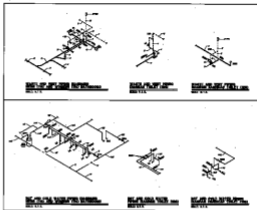
35 OF 41  
**P3.01**

AS-BUILTS  
10-1-92

FILE NO.: 144500  
JOB NO.: 87-141

PLUMBING SYMBOLS LEGEND			
NO.	SYMBOL	DESCRIPTION	REF. TO
01		1/2" PIPE	SEE PLAN
02		3/4" PIPE	SEE PLAN
03		1" PIPE	SEE PLAN
04		1 1/2" PIPE	SEE PLAN
05		2" PIPE	SEE PLAN
06		2 1/2" PIPE	SEE PLAN
07		3" PIPE	SEE PLAN
08		3 1/2" PIPE	SEE PLAN
09		4" PIPE	SEE PLAN
10		4 1/2" PIPE	SEE PLAN
11		5" PIPE	SEE PLAN
12		5 1/2" PIPE	SEE PLAN
13		6" PIPE	SEE PLAN
14		6 1/2" PIPE	SEE PLAN
15		7" PIPE	SEE PLAN
16		7 1/2" PIPE	SEE PLAN
17		8" PIPE	SEE PLAN
18		8 1/2" PIPE	SEE PLAN
19		9" PIPE	SEE PLAN
20		9 1/2" PIPE	SEE PLAN
21		10" PIPE	SEE PLAN
22		10 1/2" PIPE	SEE PLAN
23		11" PIPE	SEE PLAN
24		11 1/2" PIPE	SEE PLAN
25		12" PIPE	SEE PLAN
26		12 1/2" PIPE	SEE PLAN
27		13" PIPE	SEE PLAN
28		13 1/2" PIPE	SEE PLAN
29		14" PIPE	SEE PLAN
30		14 1/2" PIPE	SEE PLAN
31		15" PIPE	SEE PLAN
32		15 1/2" PIPE	SEE PLAN
33		16" PIPE	SEE PLAN
34		16 1/2" PIPE	SEE PLAN
35		17" PIPE	SEE PLAN
36		17 1/2" PIPE	SEE PLAN
37		18" PIPE	SEE PLAN
38		18 1/2" PIPE	SEE PLAN
39		19" PIPE	SEE PLAN
40		19 1/2" PIPE	SEE PLAN
41		20" PIPE	SEE PLAN
42		20 1/2" PIPE	SEE PLAN
43		21" PIPE	SEE PLAN
44		21 1/2" PIPE	SEE PLAN
45		22" PIPE	SEE PLAN
46		22 1/2" PIPE	SEE PLAN
47		23" PIPE	SEE PLAN
48		23 1/2" PIPE	SEE PLAN
49		24" PIPE	SEE PLAN
50		24 1/2" PIPE	SEE PLAN
51		25" PIPE	SEE PLAN
52		25 1/2" PIPE	SEE PLAN
53		26" PIPE	SEE PLAN
54		26 1/2" PIPE	SEE PLAN
55		27" PIPE	SEE PLAN
56		27 1/2" PIPE	SEE PLAN
57		28" PIPE	SEE PLAN
58		28 1/2" PIPE	SEE PLAN
59		29" PIPE	SEE PLAN
60		29 1/2" PIPE	SEE PLAN
61		30" PIPE	SEE PLAN
62		30 1/2" PIPE	SEE PLAN
63		31" PIPE	SEE PLAN
64		31 1/2" PIPE	SEE PLAN
65		32" PIPE	SEE PLAN
66		32 1/2" PIPE	SEE PLAN
67		33" PIPE	SEE PLAN
68		33 1/2" PIPE	SEE PLAN
69		34" PIPE	SEE PLAN
70		34 1/2" PIPE	SEE PLAN
71		35" PIPE	SEE PLAN
72		35 1/2" PIPE	SEE PLAN
73		36" PIPE	SEE PLAN
74		36 1/2" PIPE	SEE PLAN
75		37" PIPE	SEE PLAN
76		37 1/2" PIPE	SEE PLAN
77		38" PIPE	SEE PLAN
78		38 1/2" PIPE	SEE PLAN
79		39" PIPE	SEE PLAN
80		39 1/2" PIPE	SEE PLAN
81		40" PIPE	SEE PLAN
82		40 1/2" PIPE	SEE PLAN
83		41" PIPE	SEE PLAN
84		41 1/2" PIPE	SEE PLAN
85		42" PIPE	SEE PLAN
86		42 1/2" PIPE	SEE PLAN
87		43" PIPE	SEE PLAN
88		43 1/2" PIPE	SEE PLAN
89		44" PIPE	SEE PLAN
90		44 1/2" PIPE	SEE PLAN
91		45" PIPE	SEE PLAN
92		45 1/2" PIPE	SEE PLAN
93		46" PIPE	SEE PLAN
94		46 1/2" PIPE	SEE PLAN
95		47" PIPE	SEE PLAN
96		47 1/2" PIPE	SEE PLAN
97		48" PIPE	SEE PLAN
98		48 1/2" PIPE	SEE PLAN
99		49" PIPE	SEE PLAN
100		49 1/2" PIPE	SEE PLAN

PLUMBING SYMBOLS LEGEND			
NO.	SYMBOL	DESCRIPTION	REF. TO
01		1/2" PIPE	SEE PLAN
02		3/4" PIPE	SEE PLAN
03		1" PIPE	SEE PLAN
04		1 1/2" PIPE	SEE PLAN
05		2" PIPE	SEE PLAN
06		2 1/2" PIPE	SEE PLAN
07		3" PIPE	SEE PLAN
08		3 1/2" PIPE	SEE PLAN
09		4" PIPE	SEE PLAN
10		4 1/2" PIPE	SEE PLAN
11		5" PIPE	SEE PLAN
12		5 1/2" PIPE	SEE PLAN
13		6" PIPE	SEE PLAN
14		6 1/2" PIPE	SEE PLAN
15		7" PIPE	SEE PLAN
16		7 1/2" PIPE	SEE PLAN
17		8" PIPE	SEE PLAN
18		8 1/2" PIPE	SEE PLAN
19		9" PIPE	SEE PLAN
20		9 1/2" PIPE	SEE PLAN
21		10" PIPE	SEE PLAN
22		10 1/2" PIPE	SEE PLAN
23		11" PIPE	SEE PLAN
24		11 1/2" PIPE	SEE PLAN
25		12" PIPE	SEE PLAN
26		12 1/2" PIPE	SEE PLAN
27		13" PIPE	SEE PLAN
28		13 1/2" PIPE	SEE PLAN
29		14" PIPE	SEE PLAN
30		14 1/2" PIPE	SEE PLAN
31		15" PIPE	SEE PLAN
32		15 1/2" PIPE	SEE PLAN
33		16" PIPE	SEE PLAN
34		16 1/2" PIPE	SEE PLAN
35		17" PIPE	SEE PLAN
36		17 1/2" PIPE	SEE PLAN
37		18" PIPE	SEE PLAN
38		18 1/2" PIPE	SEE PLAN
39		19" PIPE	SEE PLAN
40		19 1/2" PIPE	SEE PLAN
41		20" PIPE	SEE PLAN
42		20 1/2" PIPE	SEE PLAN
43		21" PIPE	SEE PLAN
44		21 1/2" PIPE	SEE PLAN
45		22" PIPE	SEE PLAN
46		22 1/2" PIPE	SEE PLAN
47		23" PIPE	SEE PLAN
48		23 1/2" PIPE	SEE PLAN
49		24" PIPE	SEE PLAN
50		24 1/2" PIPE	SEE PLAN
51		25" PIPE	SEE PLAN
52		25 1/2" PIPE	SEE PLAN
53		26" PIPE	SEE PLAN
54		26 1/2" PIPE	SEE PLAN
55		27" PIPE	SEE PLAN
56		27 1/2" PIPE	SEE PLAN
57		28" PIPE	SEE PLAN
58		28 1/2" PIPE	SEE PLAN
59		29" PIPE	SEE PLAN
60		29 1/2" PIPE	SEE PLAN
61		30" PIPE	SEE PLAN
62		30 1/2" PIPE	SEE PLAN
63		31" PIPE	SEE PLAN
64		31 1/2" PIPE	SEE PLAN
65		32" PIPE	SEE PLAN
66		32 1/2" PIPE	SEE PLAN
67		33" PIPE	SEE PLAN
68		33 1/2" PIPE	SEE PLAN
69		34" PIPE	SEE PLAN
70		34 1/2" PIPE	SEE PLAN
71		35" PIPE	SEE PLAN
72		35 1/2" PIPE	SEE PLAN
73		36" PIPE	SEE PLAN
74		36 1/2" PIPE	SEE PLAN
75		37" PIPE	SEE PLAN
76		37 1/2" PIPE	SEE PLAN
77		38" PIPE	SEE PLAN
78		38 1/2" PIPE	SEE PLAN
79		39" PIPE	SEE PLAN
80		39 1/2" PIPE	SEE PLAN
81		40" PIPE	SEE PLAN
82		40 1/2" PIPE	SEE PLAN
83		41" PIPE	SEE PLAN
84		41 1/2" PIPE	SEE PLAN
85		42" PIPE	SEE PLAN
86		42 1/2" PIPE	SEE PLAN
87		43" PIPE	SEE PLAN
88		43 1/2" PIPE	SEE PLAN
89		44" PIPE	SEE PLAN
90		44 1/2" PIPE	SEE PLAN
91		45" PIPE	SEE PLAN
92		45 1/2" PIPE	SEE PLAN
93		46" PIPE	SEE PLAN
94		46 1/2" PIPE	SEE PLAN
95		47" PIPE	SEE PLAN
96		47 1/2" PIPE	SEE PLAN
97		48" PIPE	SEE PLAN
98		48 1/2" PIPE	SEE PLAN
99		49" PIPE	SEE PLAN
100		49 1/2" PIPE	SEE PLAN



PLUMBING SYMBOLS LEGEND			
NO.	SYMBOL	DESCRIPTION	REF. TO
01		1/2" PIPE	SEE PLAN
02		3/4" PIPE	SEE PLAN
03		1" PIPE	SEE PLAN
04		1 1/2" PIPE	SEE PLAN
05		2" PIPE	SEE PLAN
06		2 1/2" PIPE	SEE PLAN
07		3" PIPE	SEE PLAN
08		3 1/2" PIPE	SEE PLAN
09		4" PIPE	SEE PLAN
10		4 1/2" PIPE	SEE PLAN
11		5" PIPE	SEE PLAN
12		5 1/2" PIPE	SEE PLAN
13		6" PIPE	SEE PLAN
14		6 1/2" PIPE	SEE PLAN
15		7" PIPE	SEE PLAN
16		7 1/2" PIPE	SEE PLAN
17		8" PIPE	SEE PLAN
18		8 1/2" PIPE	SEE PLAN
19		9" PIPE	SEE PLAN
20		9 1/2" PIPE	SEE PLAN
21		10" PIPE	SEE PLAN
22		10 1/2" PIPE	SEE PLAN
23		11" PIPE	SEE PLAN
24		11 1/2" PIPE	SEE PLAN
25		12" PIPE	SEE PLAN
26		12 1/2" PIPE	SEE PLAN
27			