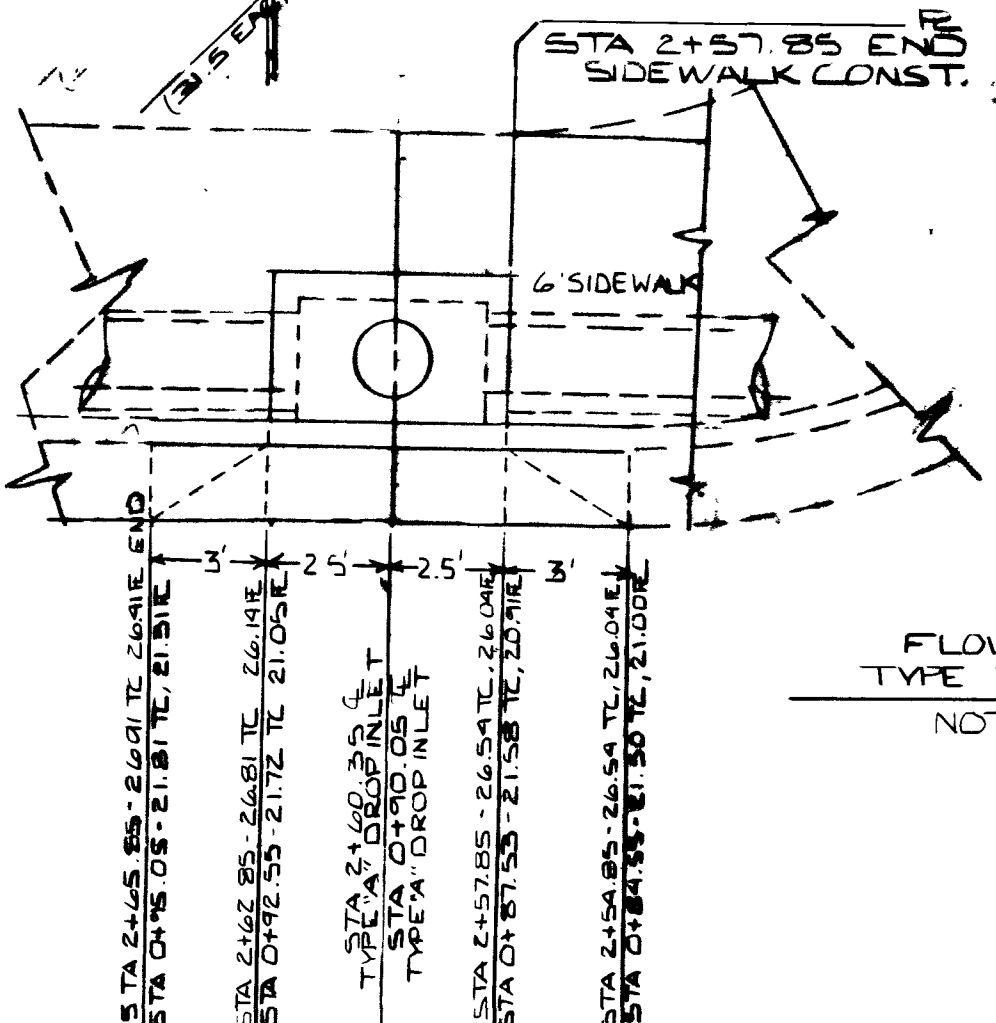
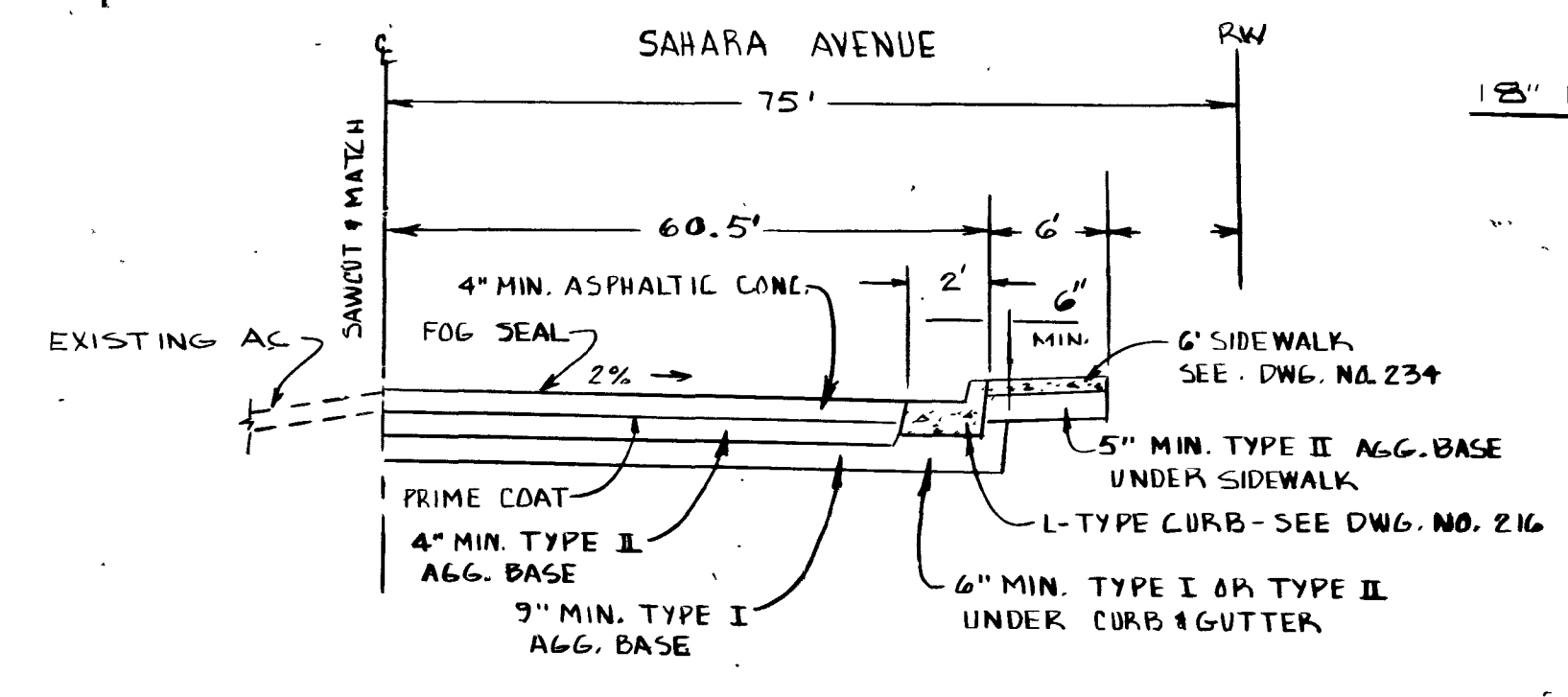
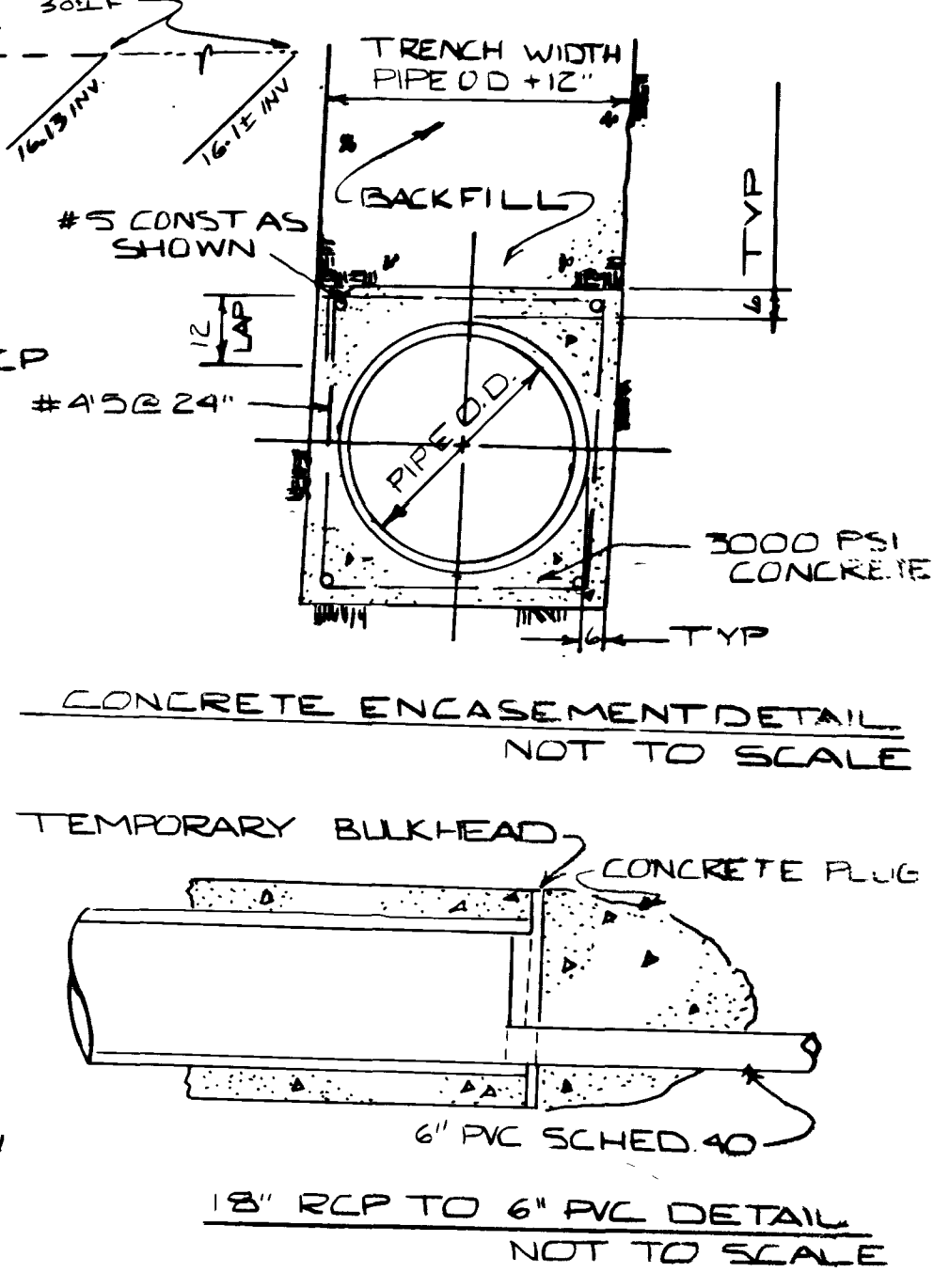
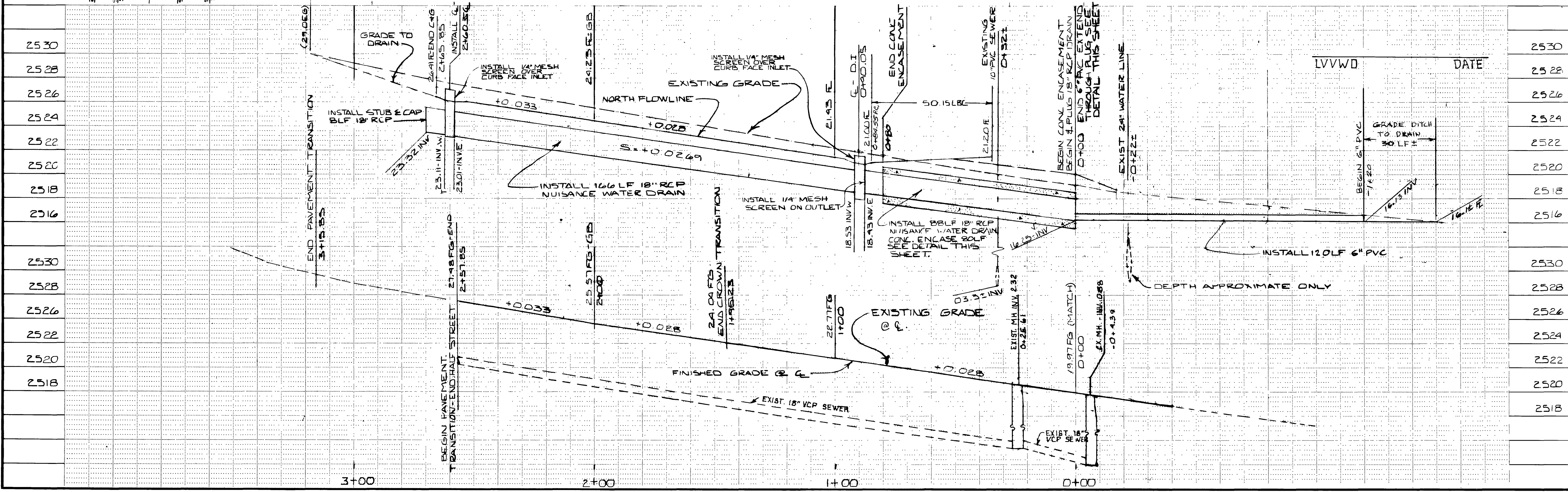


CURVE DATA

P.C.	R	Δ	L	T
54.00	95'47'01"	90.27	57.75	
25.00	95'47'01"	41.73	87.66	
30.00	95'47'01"	50.15	103.19	
30.58	95'47'01"	51.12	103.83	



SAHARA AVENUE



DATE		REASON		DATE		REASON		
BBC BRECHLER & BELL CONSULTING ENGINEERS INC. CIVIL ENGINEERS 40 WEST BROOKS AVENUE SUITE 100 NORTH LAS VEGAS, NEVADA 89030								
JOB TITLE	SAHARA AVENUE - SAHARA AVE - BUFFALO DR.						JOB NO.	89276
SHEET NO.	SAHARA AVENUE						SHEET NO.	3 of 4

