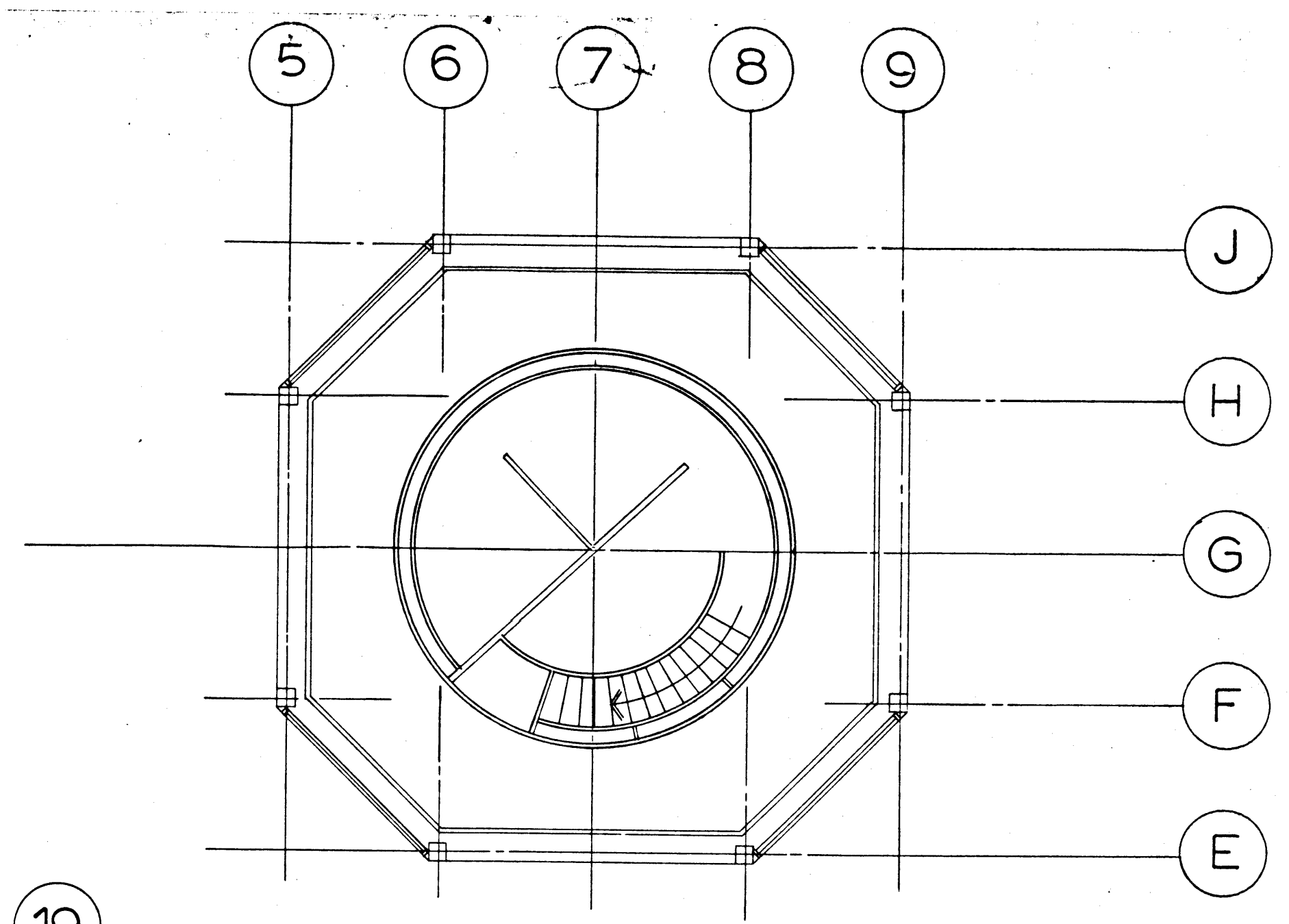
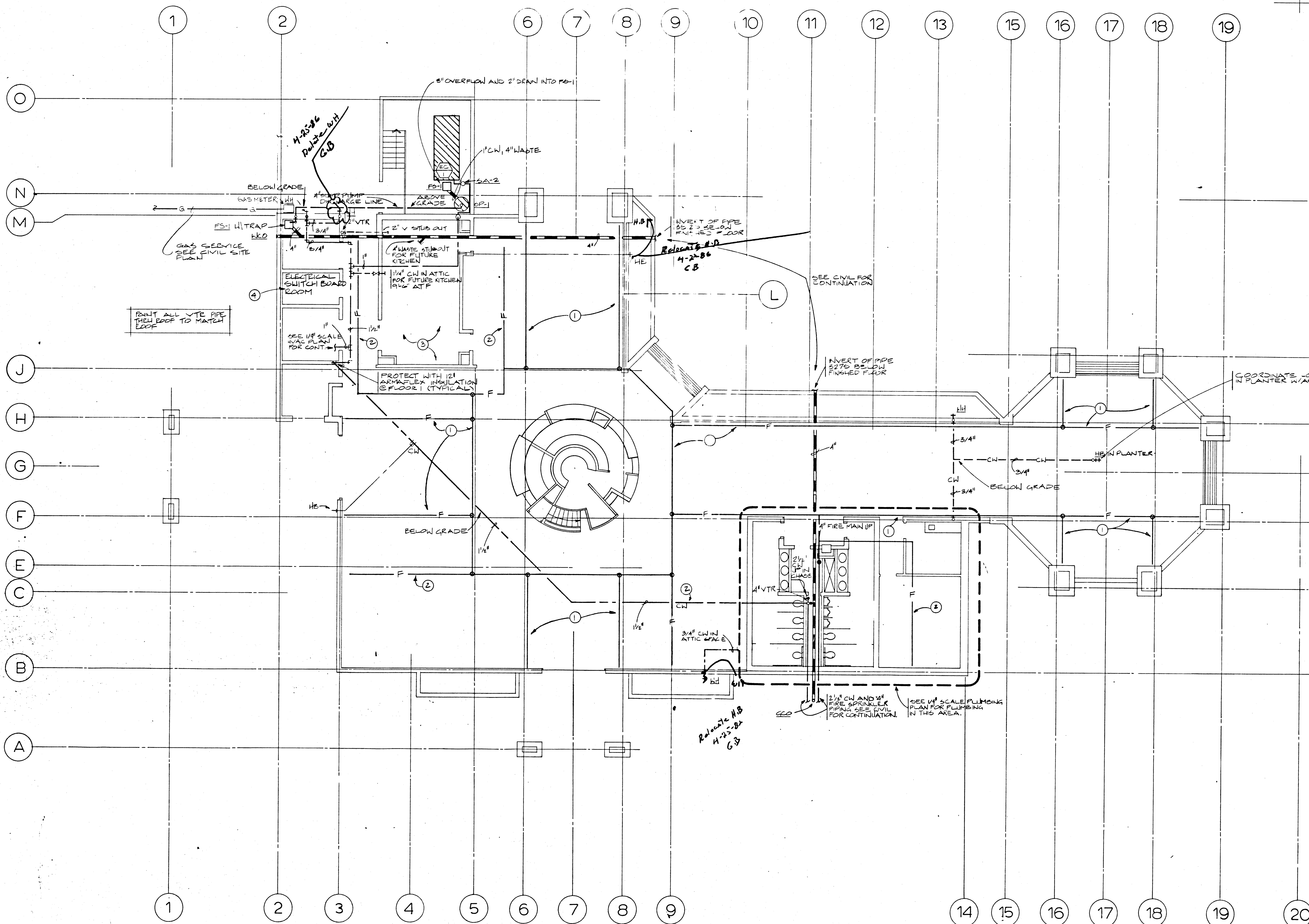


- KEYED NOTES:**
- 1 Locate main in soffit behind light pockets. Locate sidewall heads above signage. Refer to Architectural sections on sheet A-19 and large scale detail as appropriate.
 - 2 Provide heads in attic space and for room below as required by code for all areas with suspended ceilings as required by code.
 - 3 Provide attic sprinklers for future kitchen area & provide for future extension of heads to future kitchen ceiling.
 - 4 Provide deflectors as required in Electrical Switchboard Room.

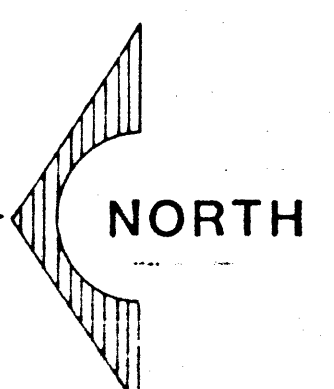


UPPER LEVEL
SCALE: 1/8" = 1'-0"



PLUMBING PLAN LOWER LEVEL
SCALE: 1/8" = 1'-0"

- GENERAL NOTES:**
- 1 Fire Sprinkler Shop Drawings shall show locations of all heads & routing of mains on reflected ceiling plan backgrounds. This Contractor is bound by NOTES #1 AND #2 on A-14.
 - 2 Sidewall sprinkler heads shall be located above signage & back lighting as shown on Architectural Drawings.
 - 3 All heads in finished spaces shall be brass colored, recessed. All piping shall not be visible from normal viewing angle in finished spaces.



DUNHAM ASSOCIATES INC.
 CONSULTING ENGINEERS
 1111 EAST FLORISSANT AVE. SUITE 200
 LAS VEGAS, NEVADA 89101
 (702) 735-0435

DOBRUSKY KITTRELL GARLOCK
 Architects
 3333 CAMBRIDGE ST. LAS VEGAS, NEVADA 89109
 (702) 735-0435

City of Las Vegas
 Transportation
 Las Vegas, Nevada
 Downtown Center

SHEET
M-2
 S. MILLER
 DATE: 11/20/2013
 CHECKED: [Signature]
 DRAWN: [Signature]
 DATE: 11/20/2013