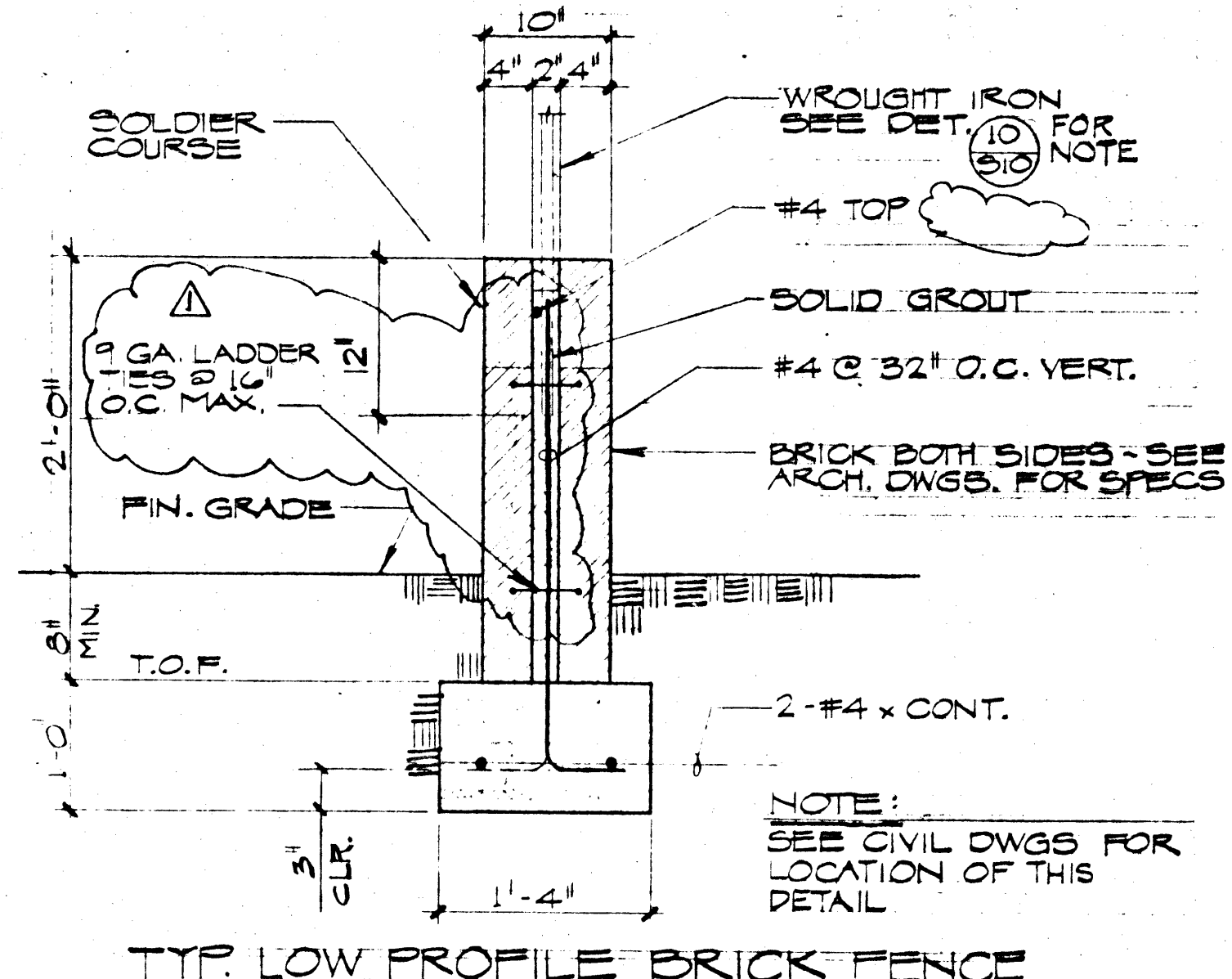


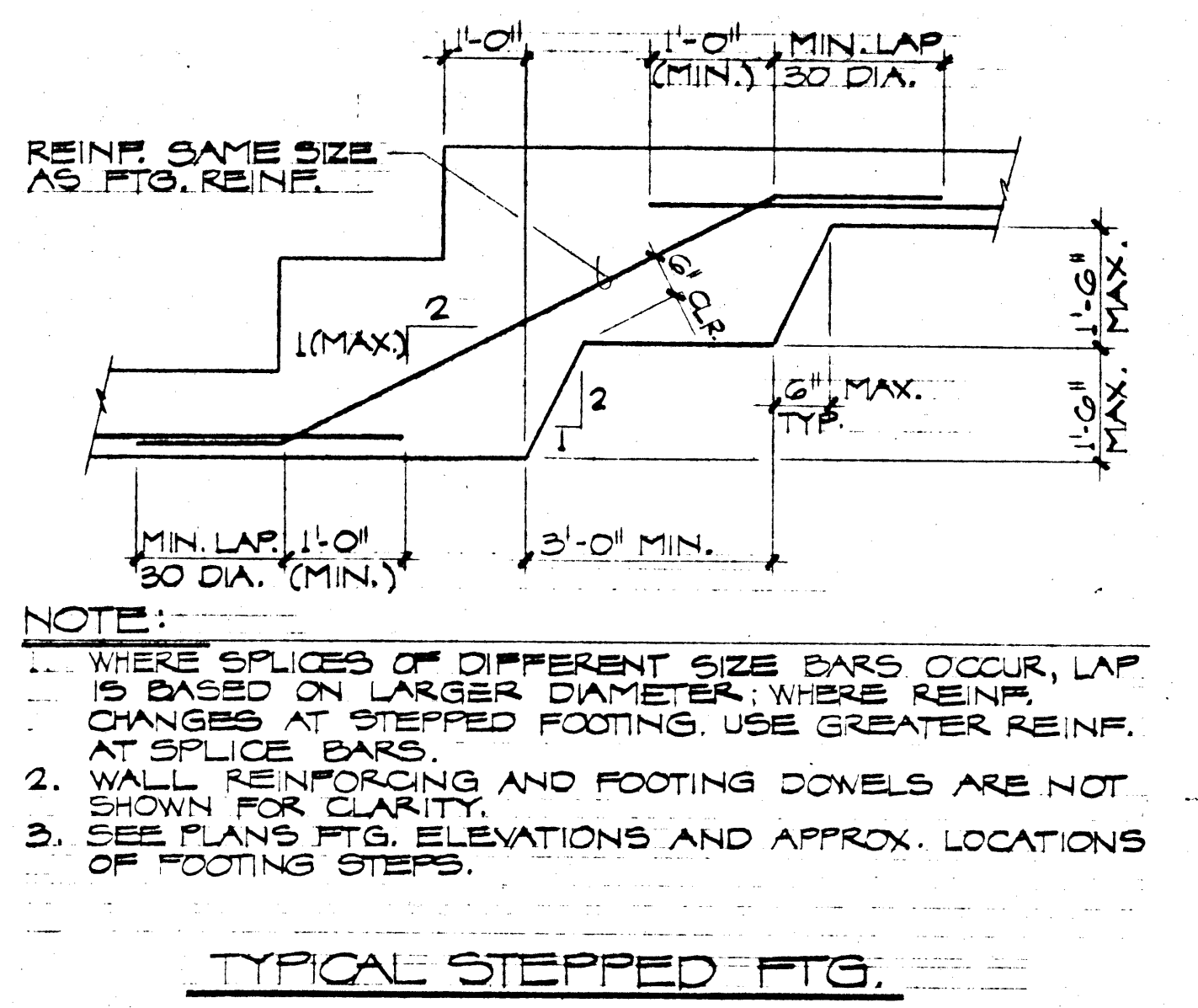
TYP. SECT. @ PLANTER

(12)



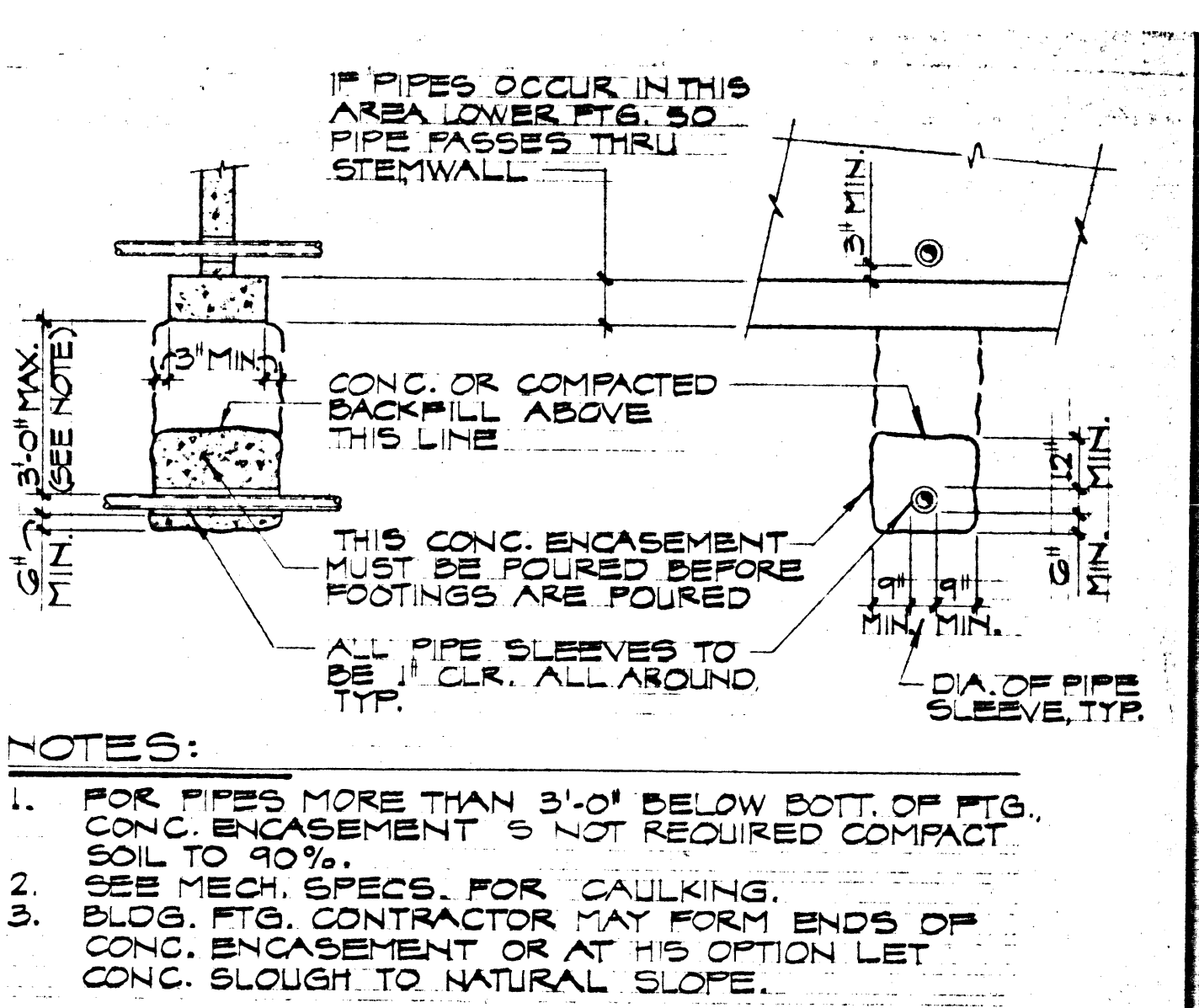
TYP. LOW PROFILE BRICK FENCE

(9)



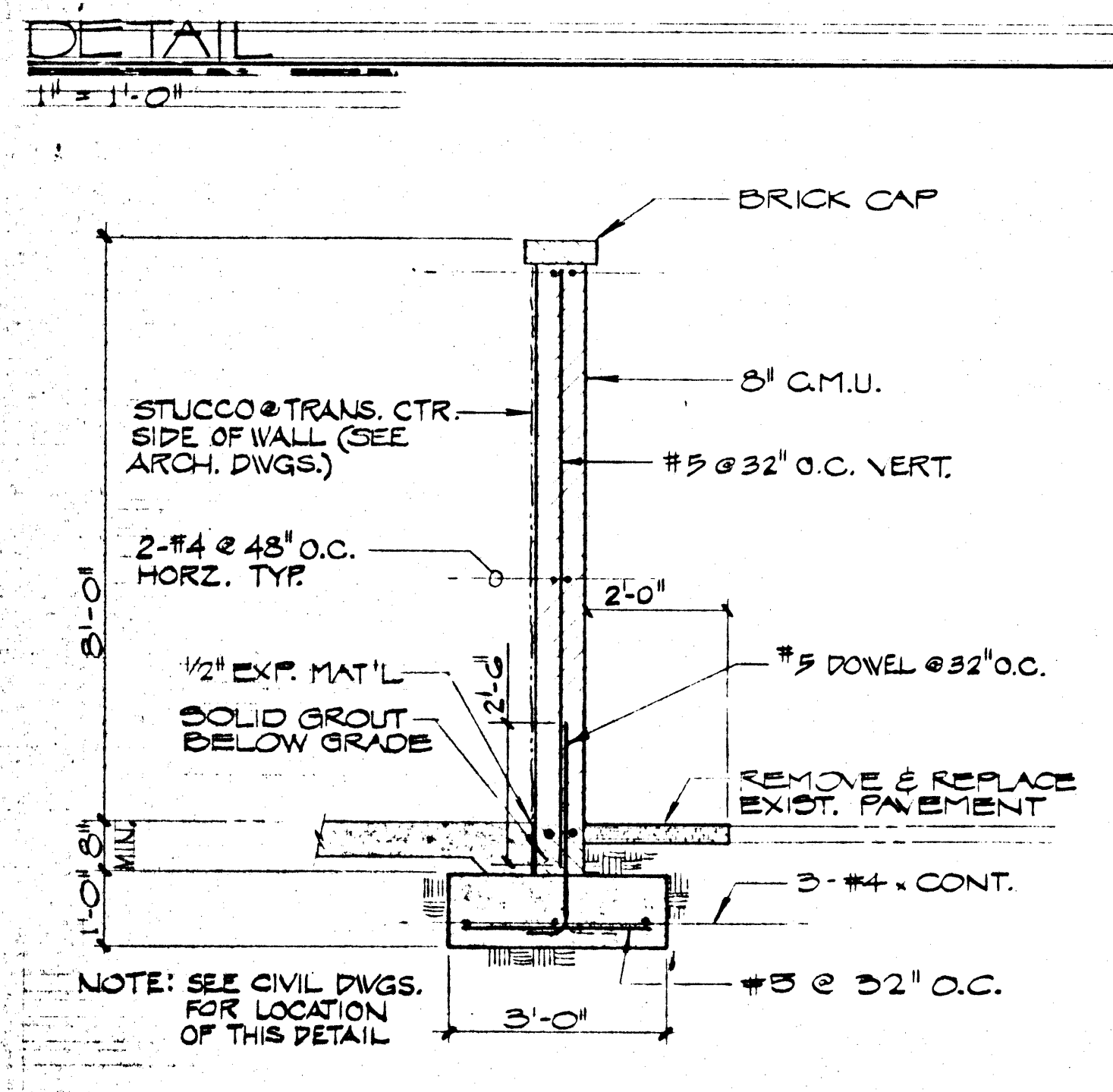
TYPICAL STEPPED FTG.

(5)



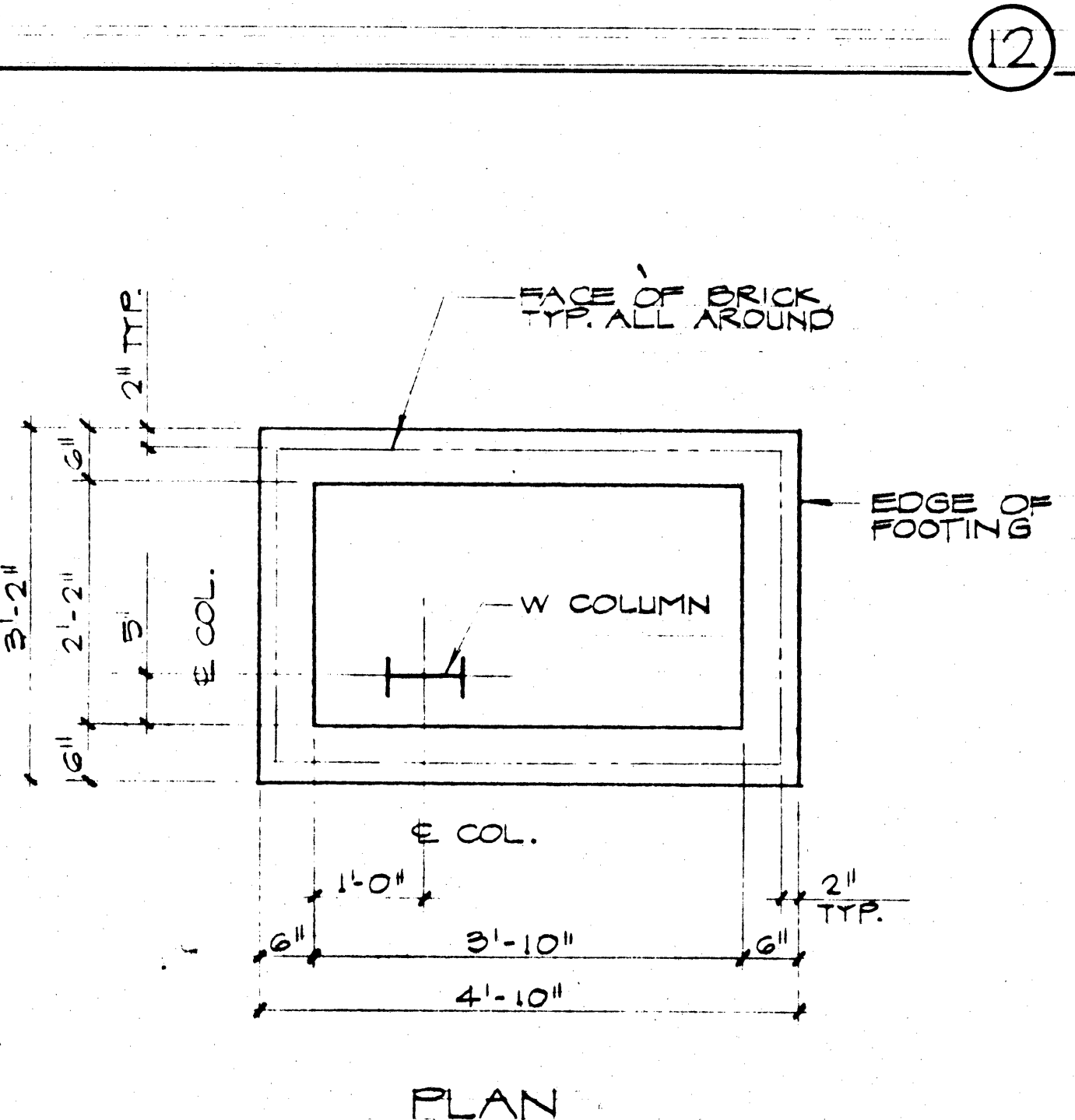
TYP. PIPE THRU FOOTING

(1)



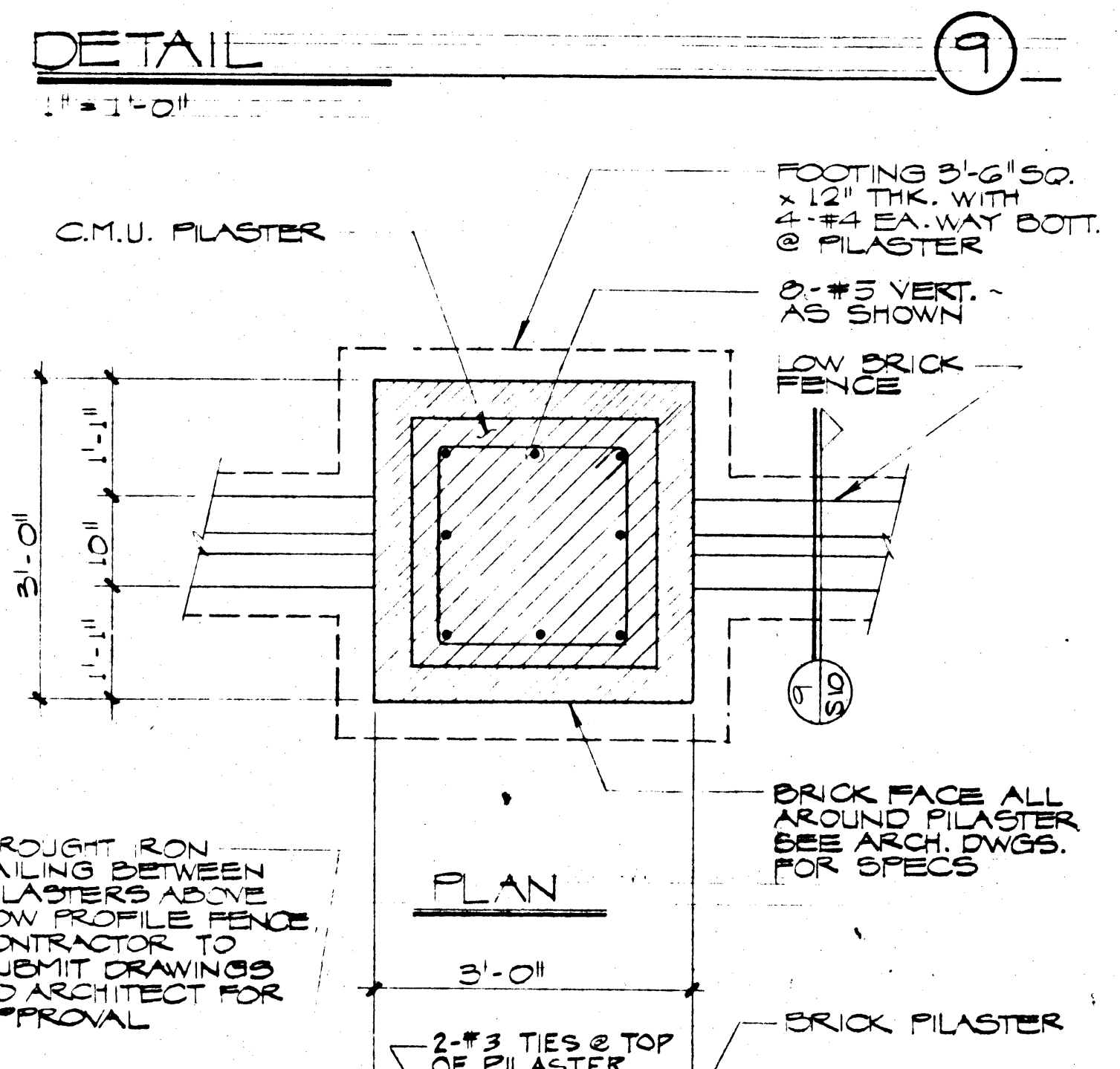
DETAIL

(15)



PLAN

(13)

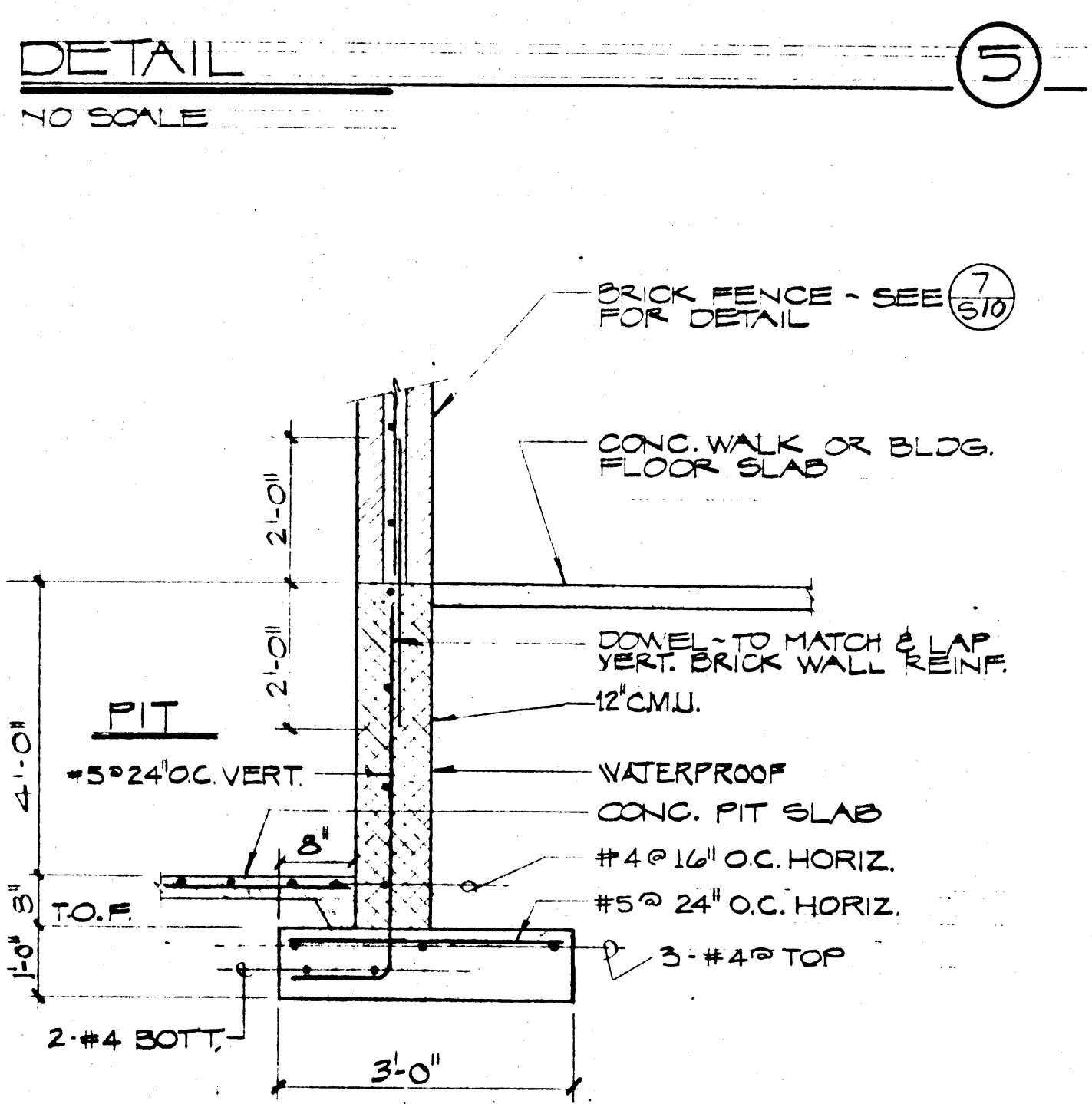


PLAN

(9)

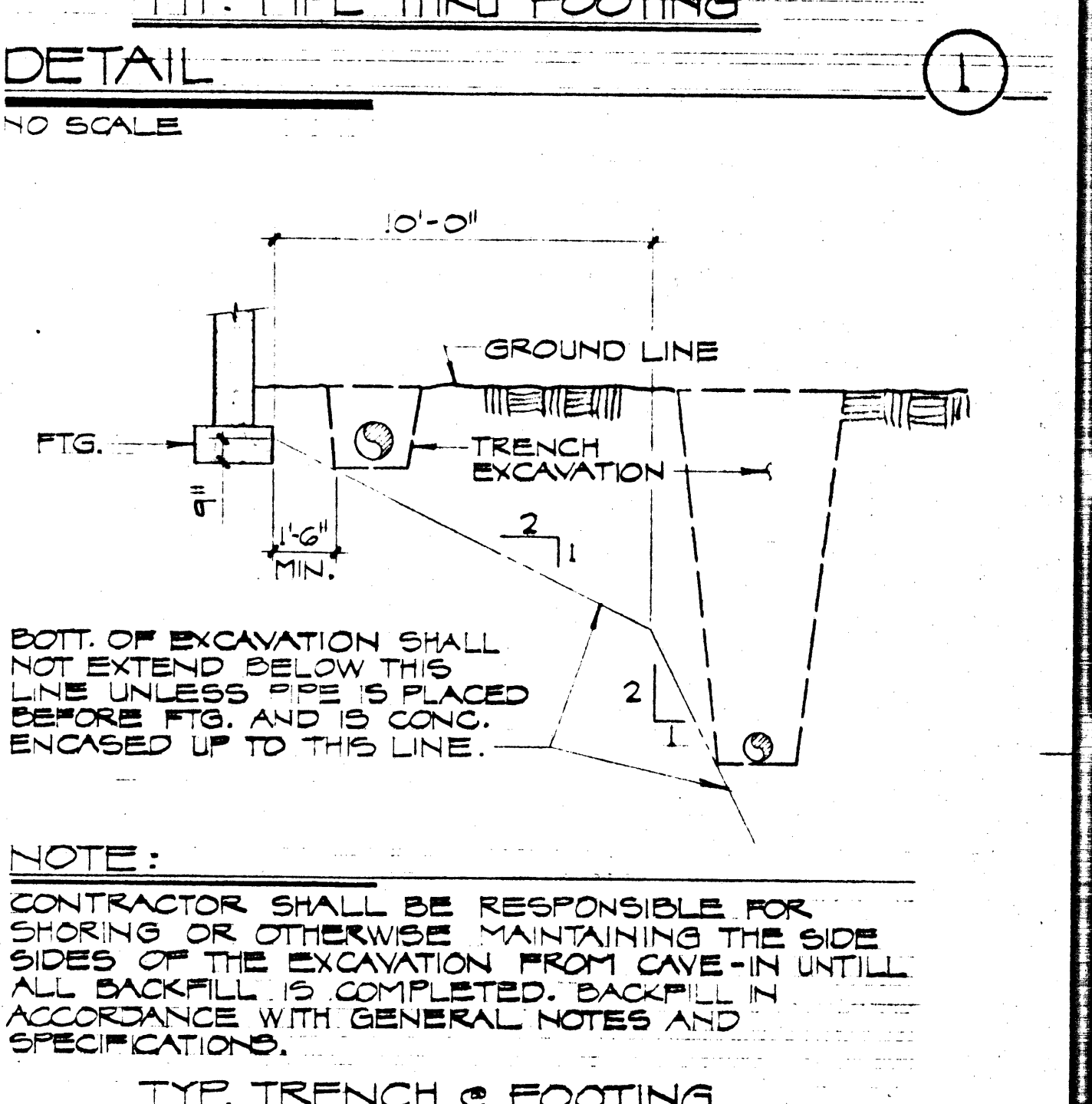
ELEVATION

(9)



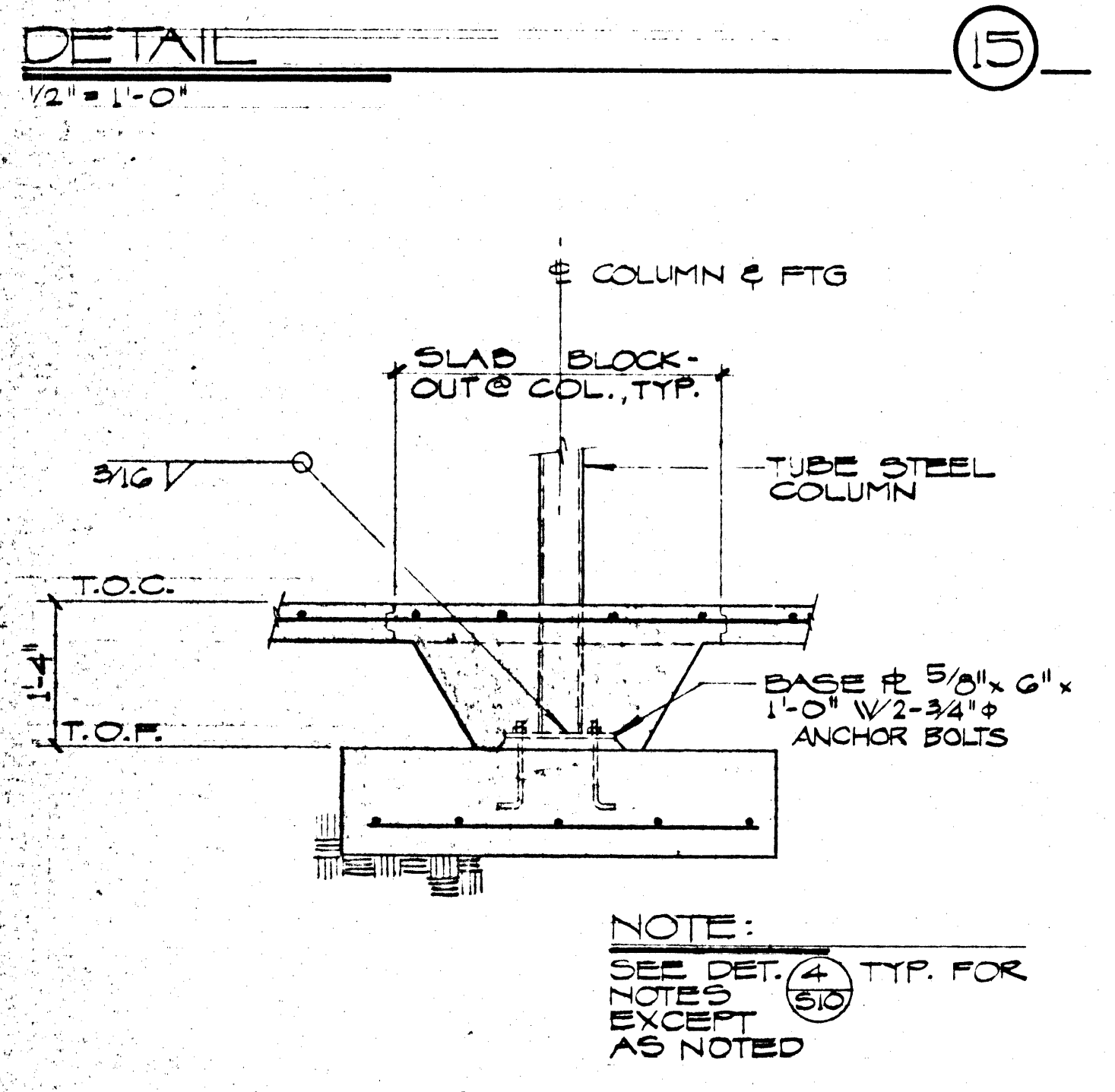
DETAIL

(6)



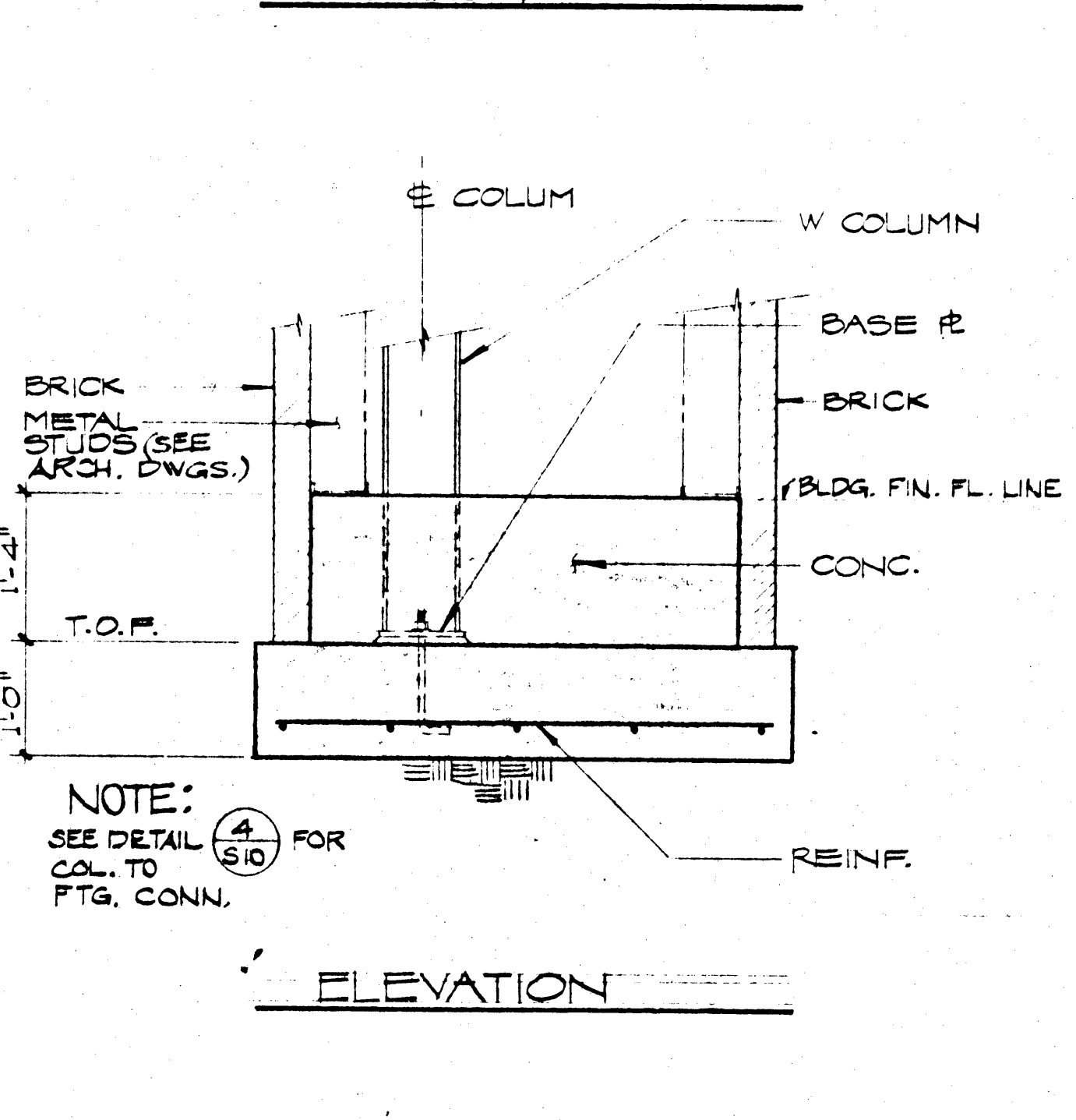
TYP. TRENCH & FOOTING

(2)



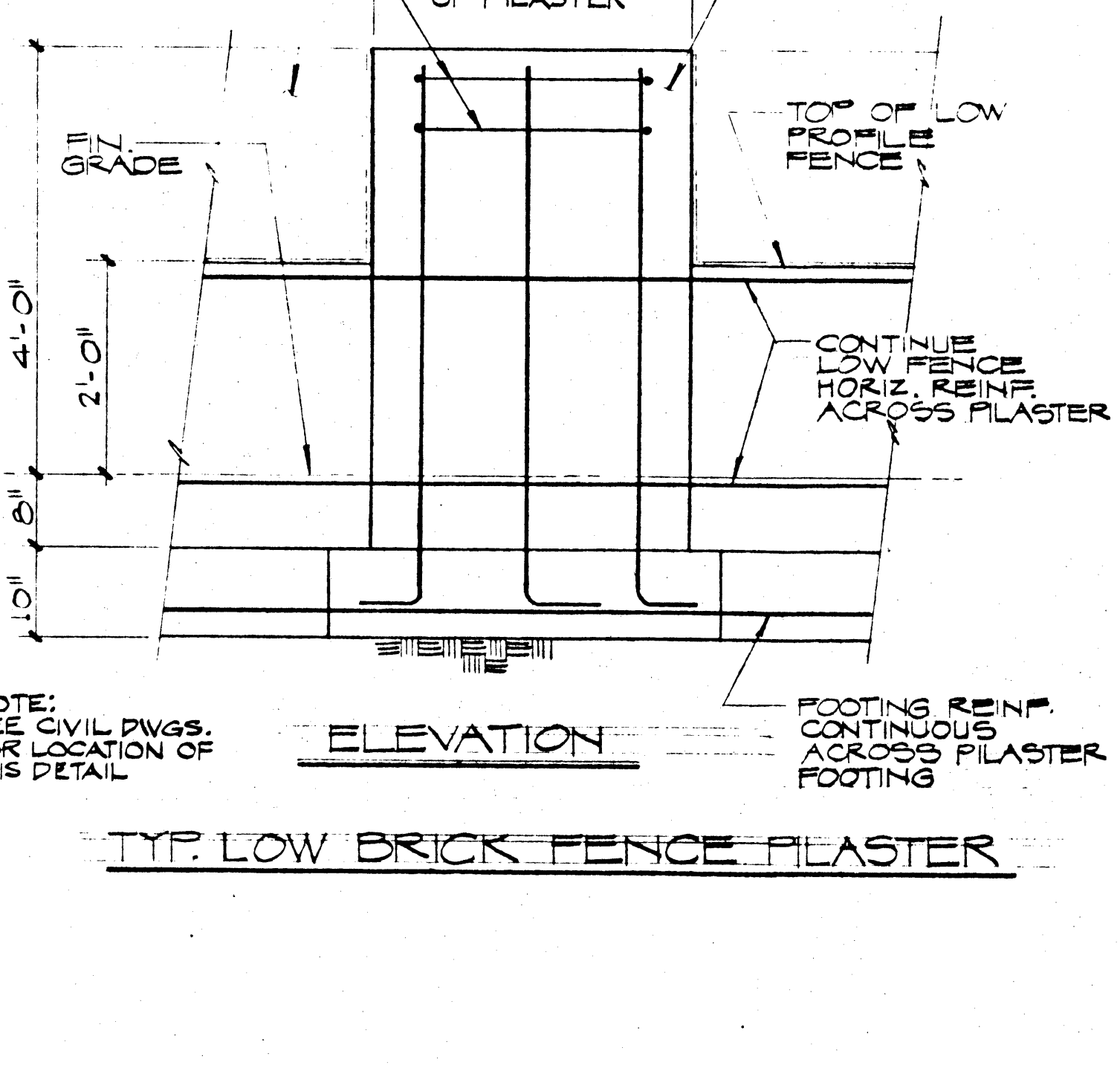
DETAIL

(16)



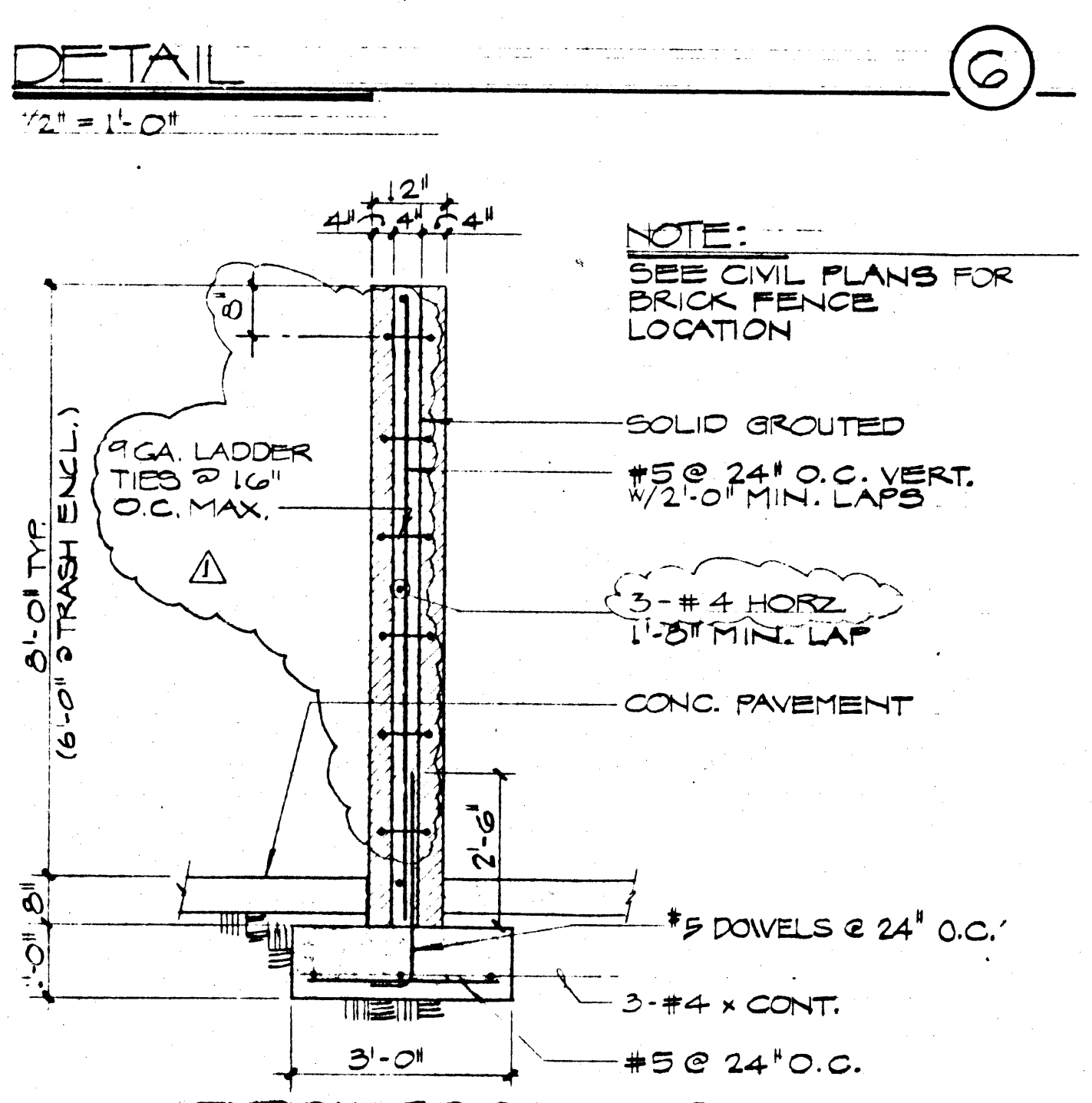
ELEVATION

(13)



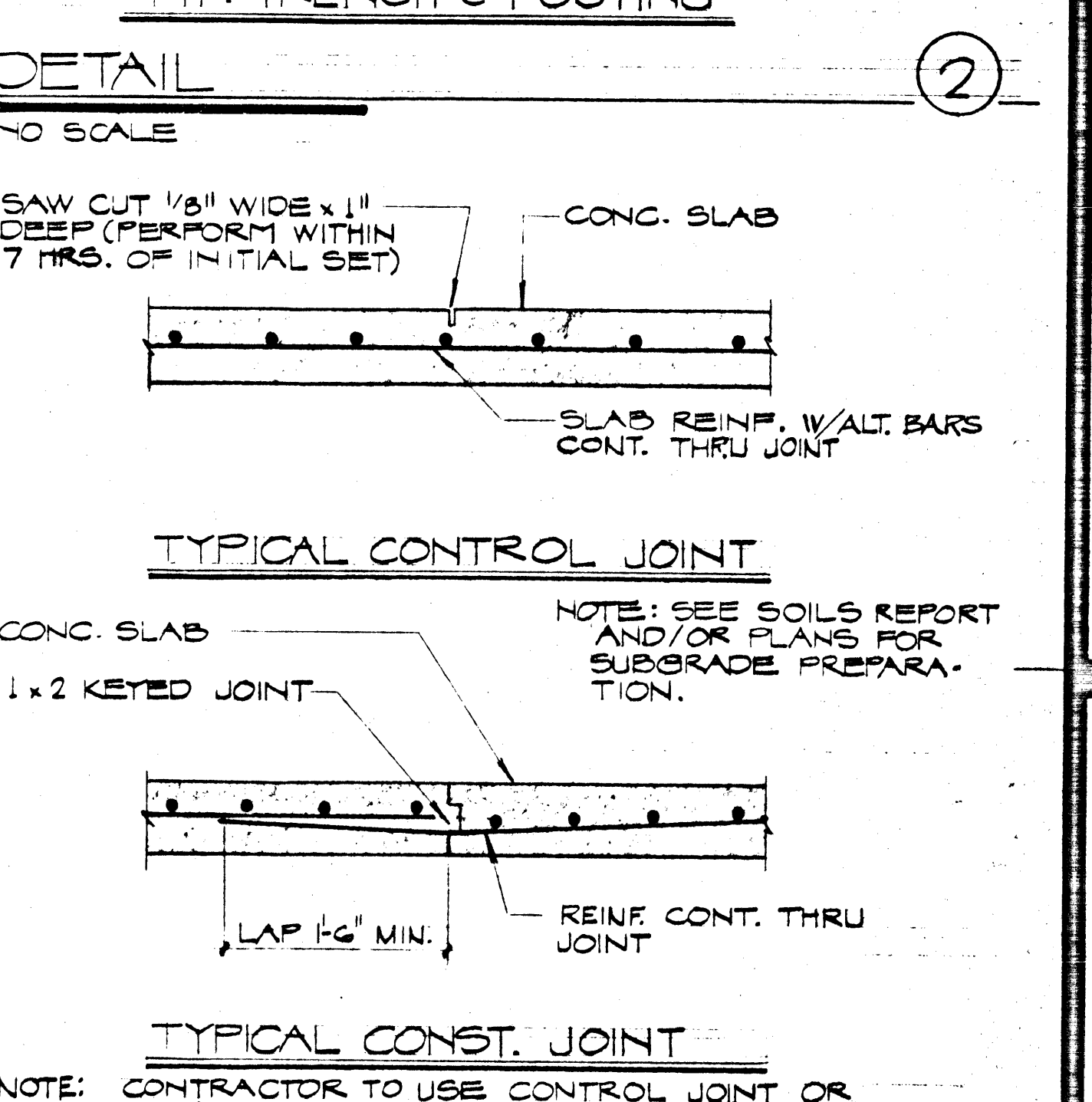
ELEVATION

(9)



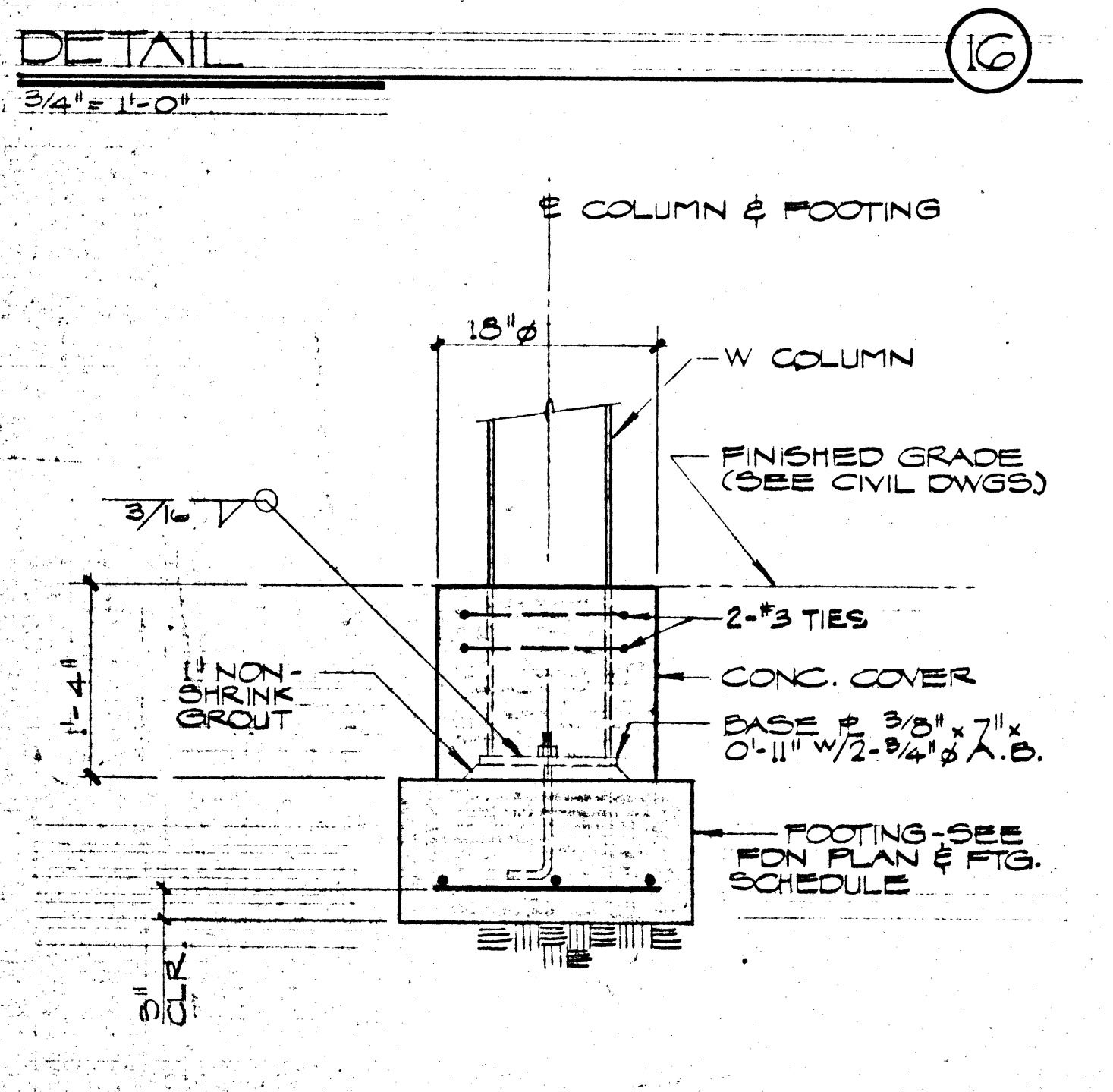
TYPICAL BRICK FENCE

(7)



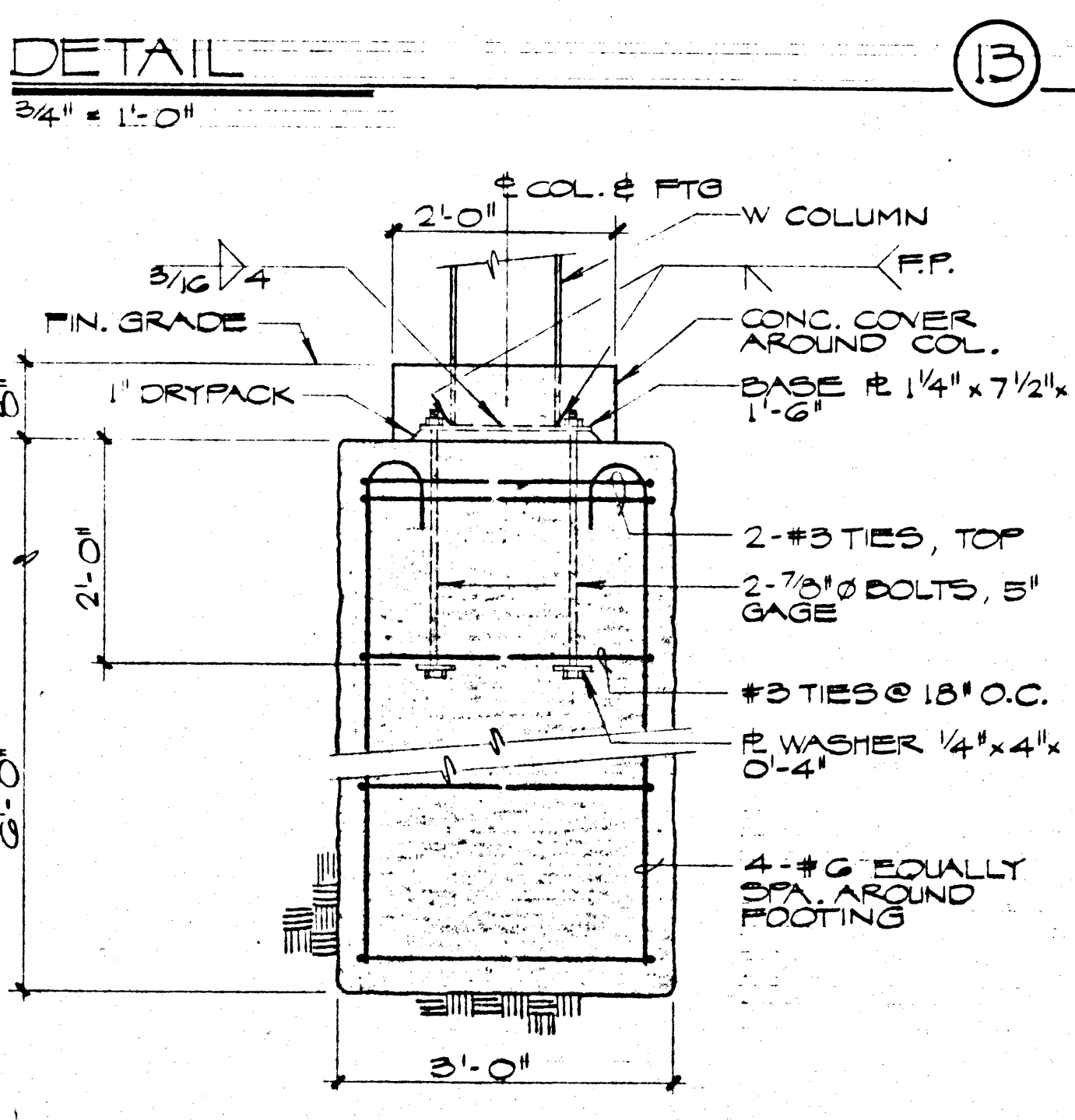
TYPICAL CONTROL JOINT

(3)



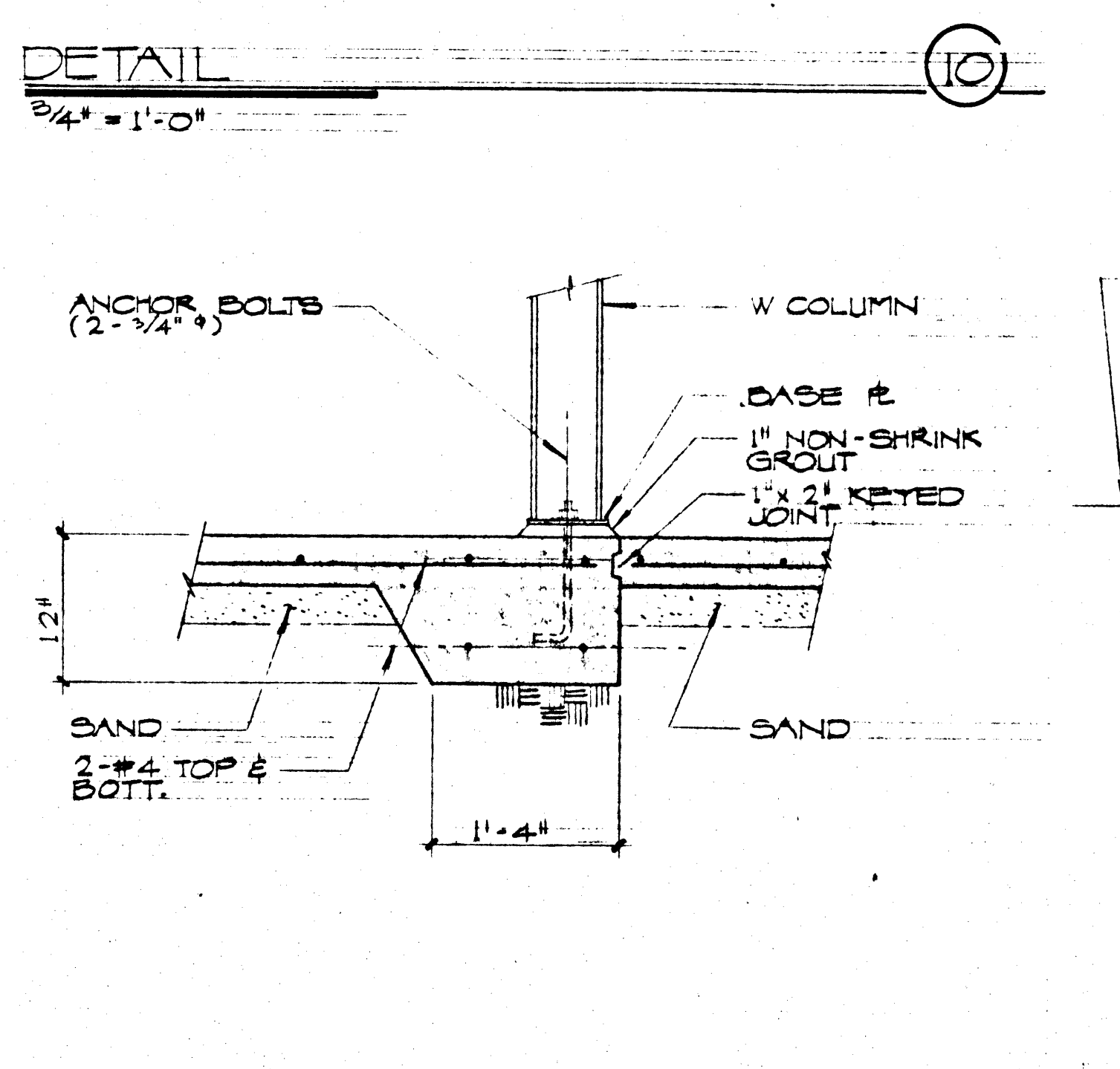
DETAIL

(17)



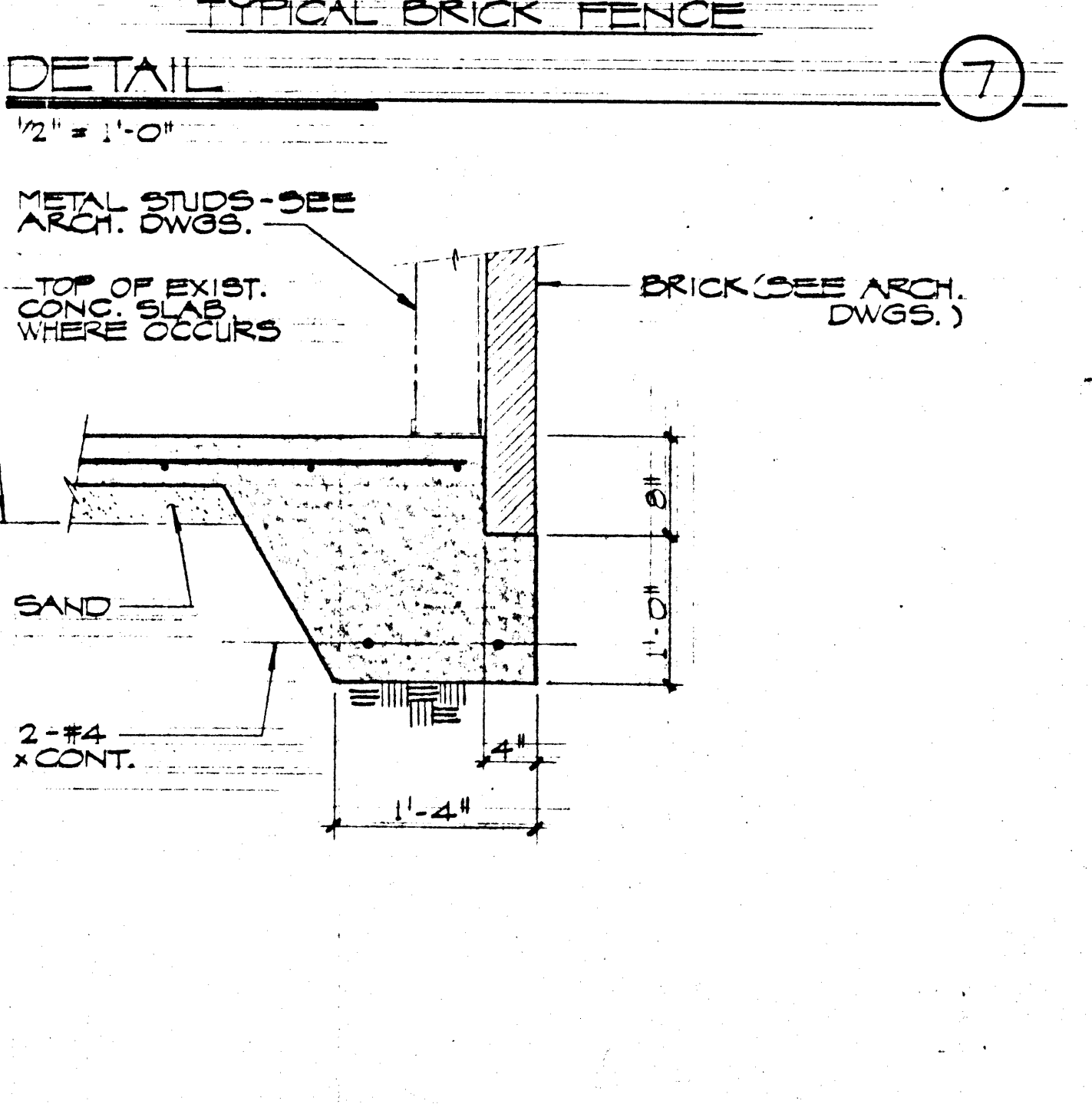
DETAIL

(14)



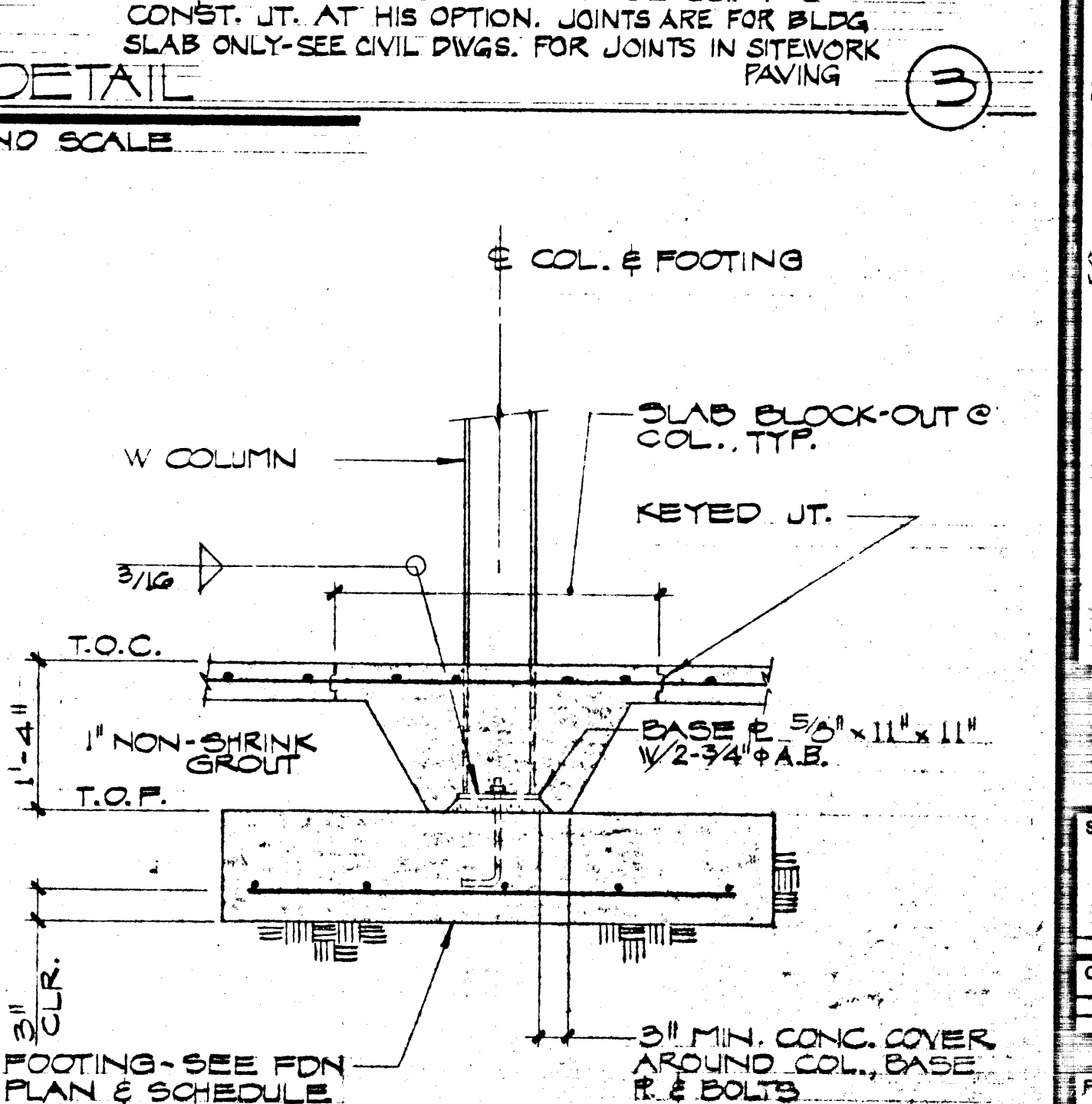
DETAIL

(11)



DETAIL

(8)



DETAIL

(4)

GUNNY, BRIZENDINE & POGEMEYER
 ENGINEERS
 1000 W. WASHINGTON ST. LAS VEGAS, NEVADA 89101
 (702) 733-0445
 FAX: (702) 733-0445
 DATE: 12/15/83
 DRAWING NO.: 12-15-83-01
 SHEET NO.: 12
 OF 52 OF 65
 FILE NAME: 590.21

DOBROUSKY KITTRELL GARLOCK
 Architects
 1000 W. WASHINGTON ST. LAS VEGAS, NEVADA 89101
 (702) 733-0445

City of Las Vegas
 Transportation
 Downtown Las Vegas, Nevada

SET
S-10
 OF 52 OF 65
 12
 FILE NAME: 590.21