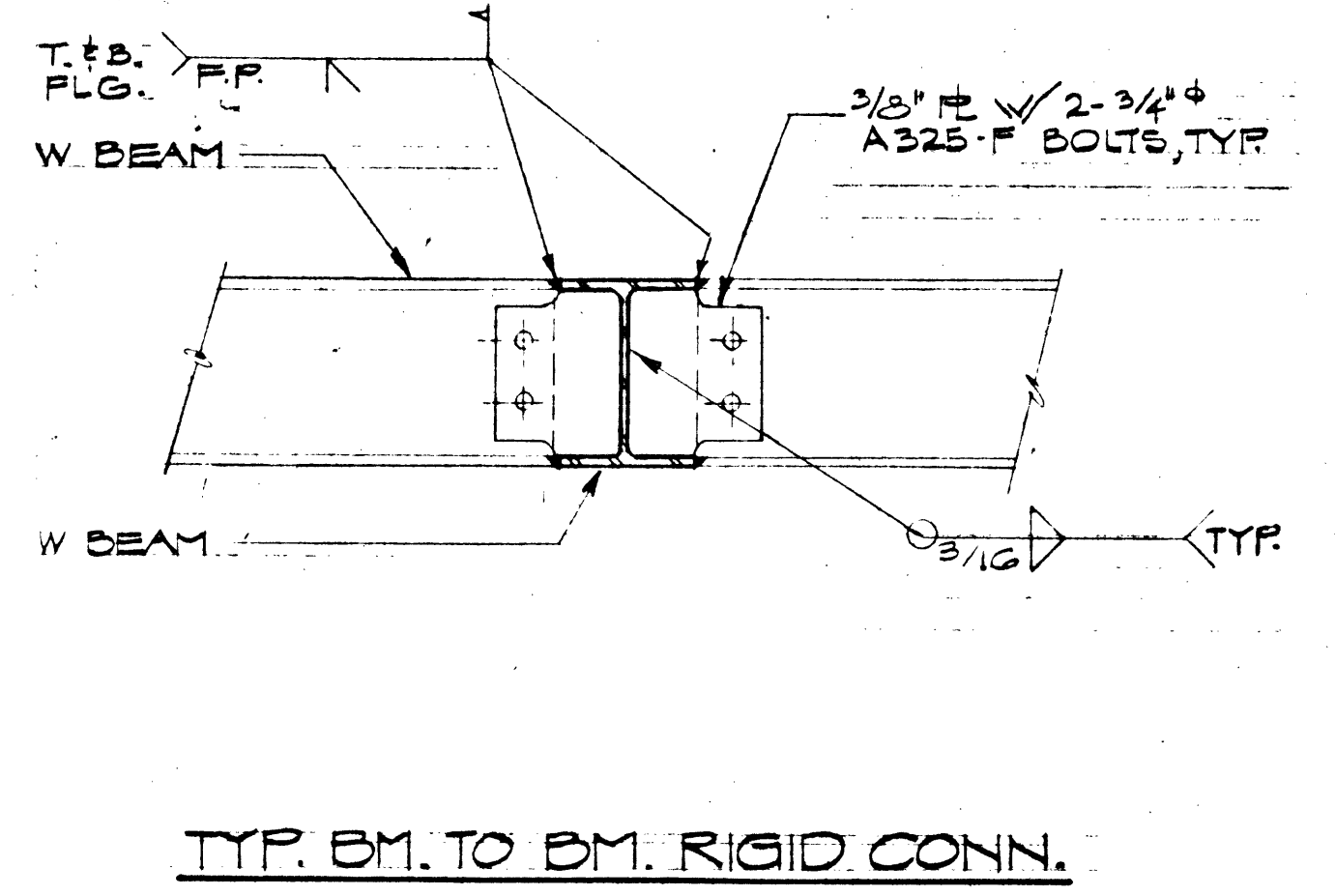
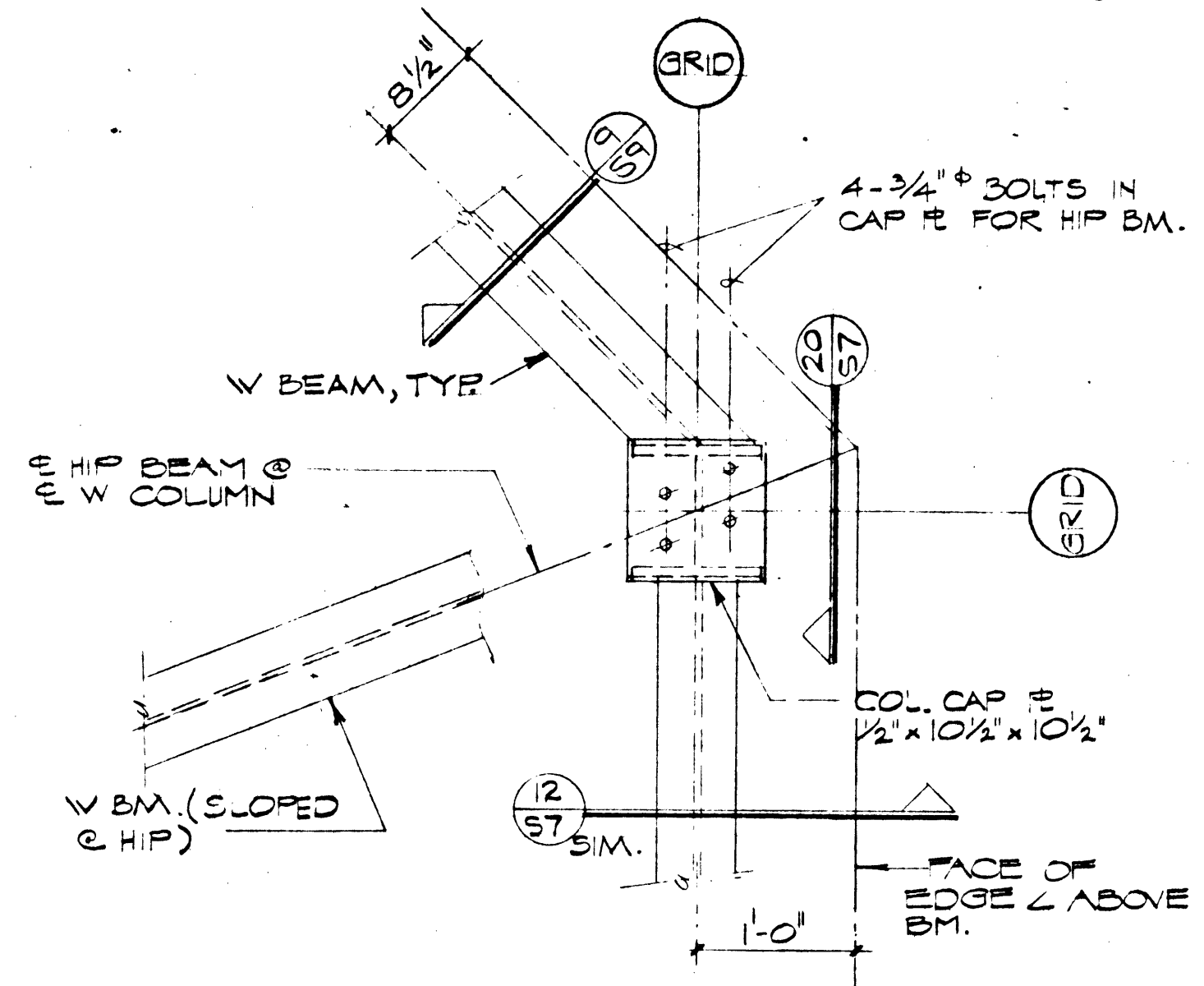


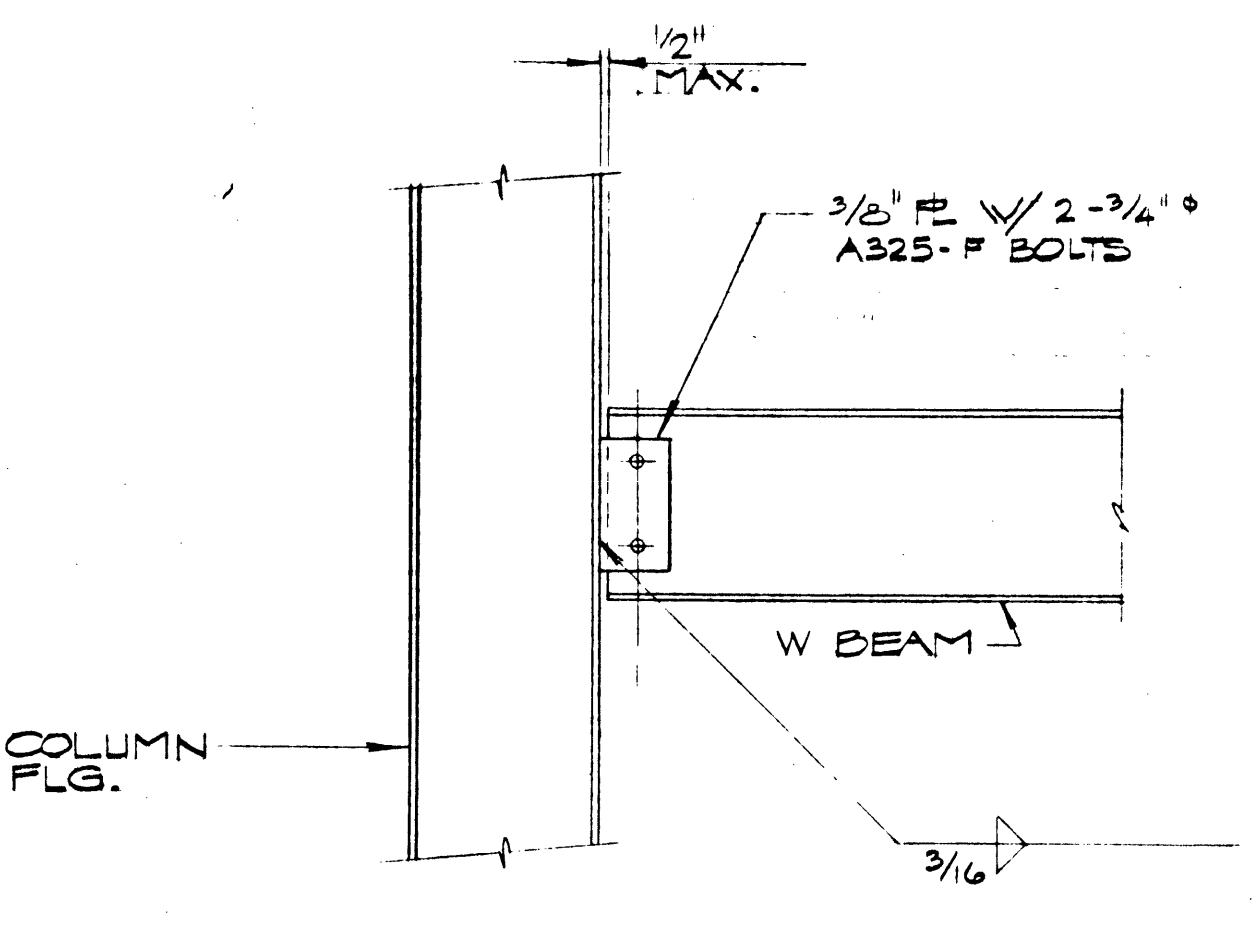
DETAIL 17
1/2" = 1'-0"



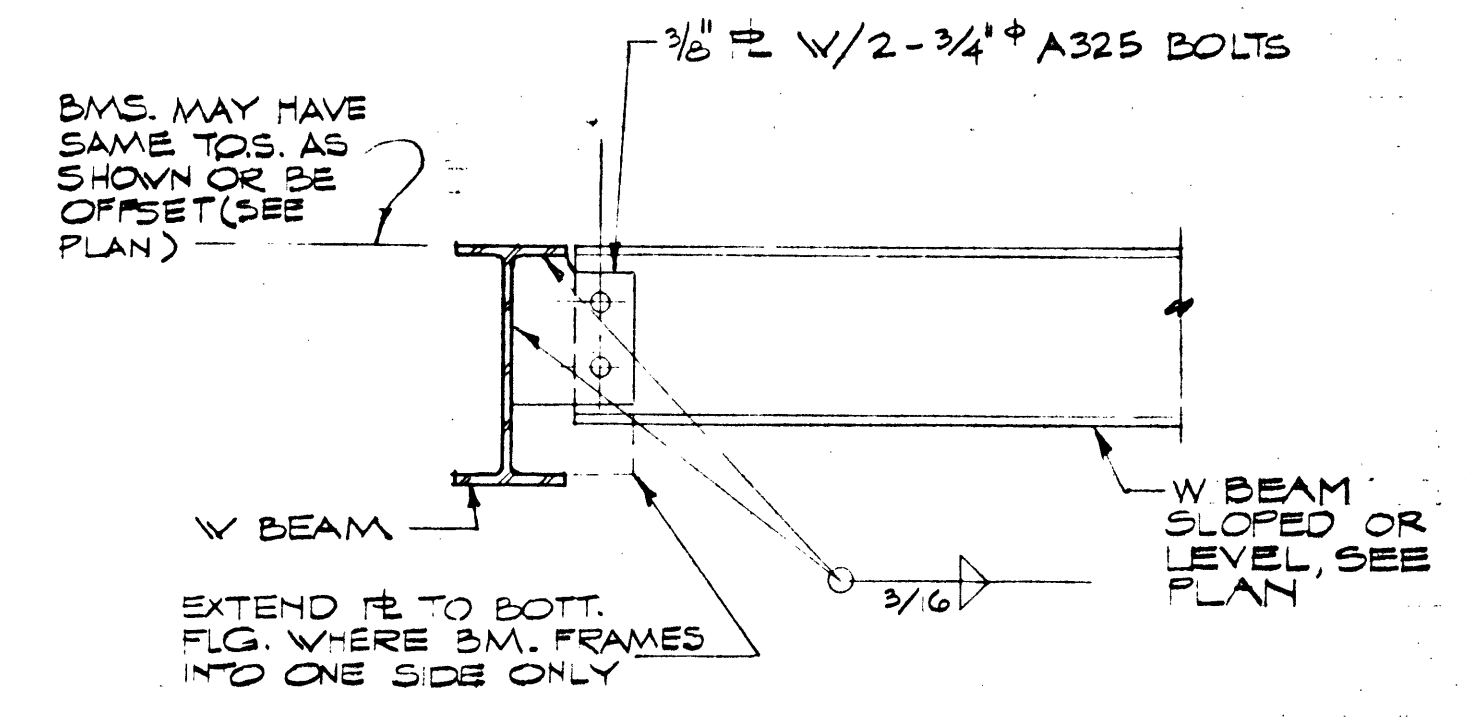
DETAIL 13
NO SCALE



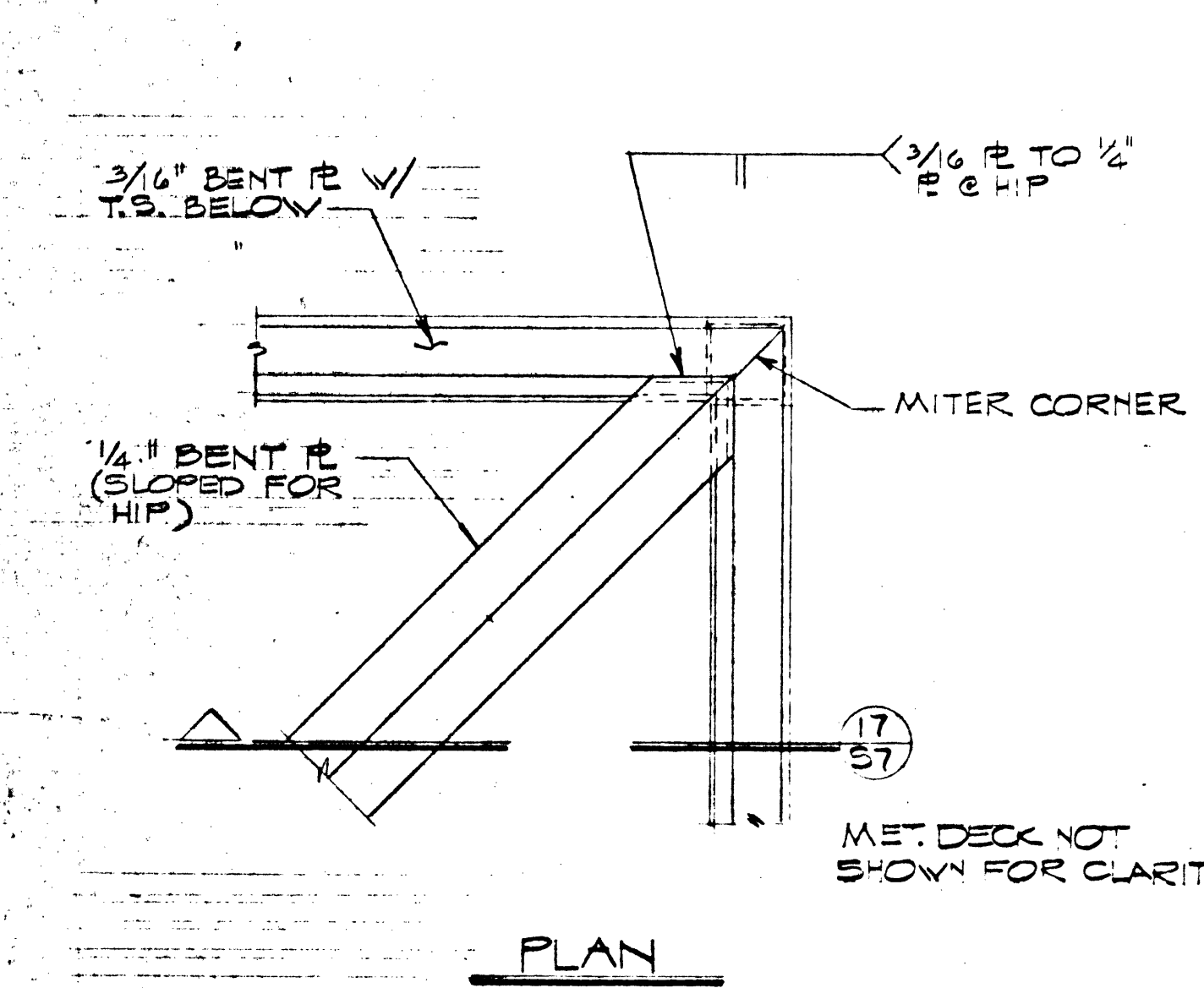
DETAIL 9
1" = 1'-0"



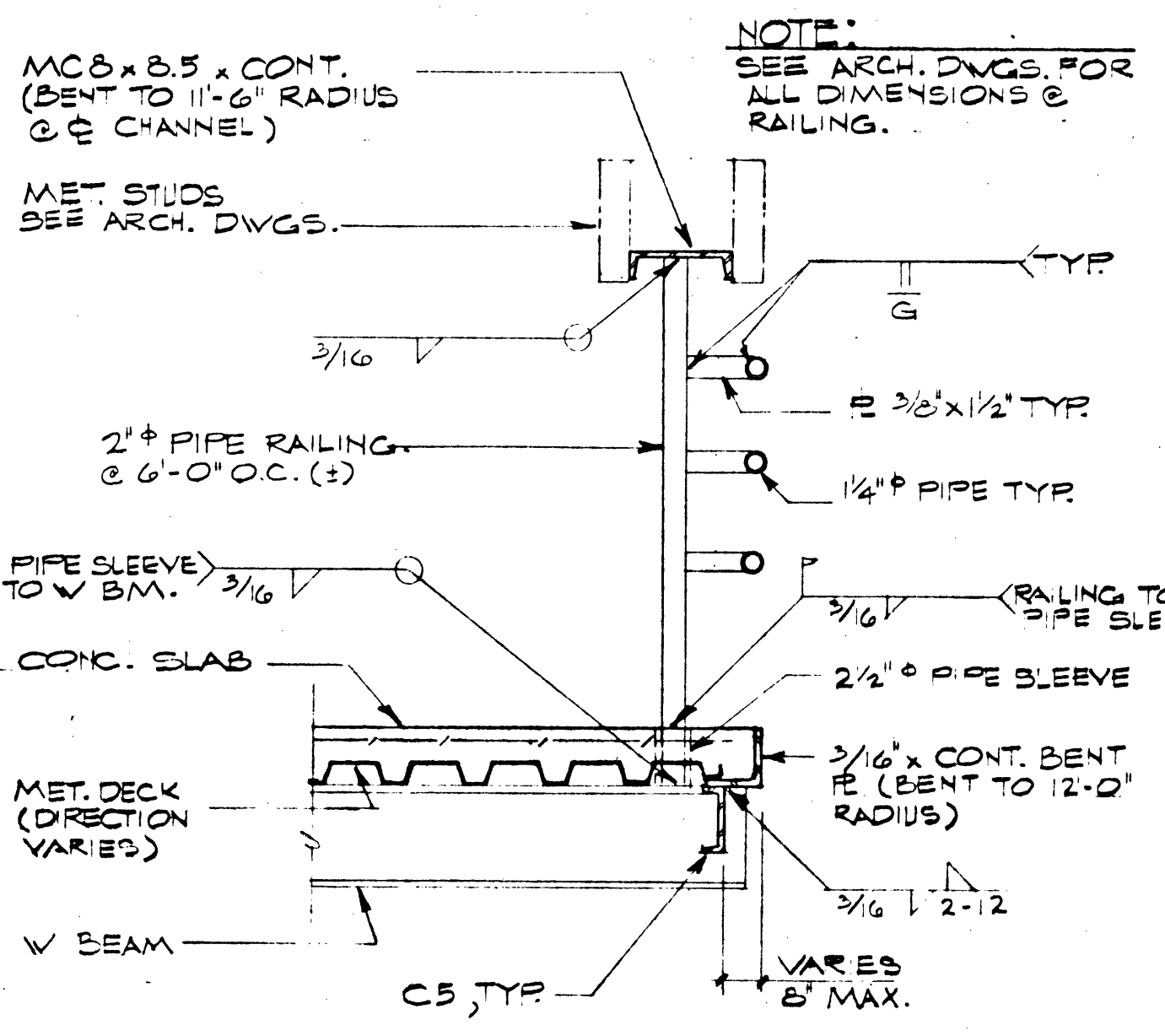
DETAIL 5
NO SCALE



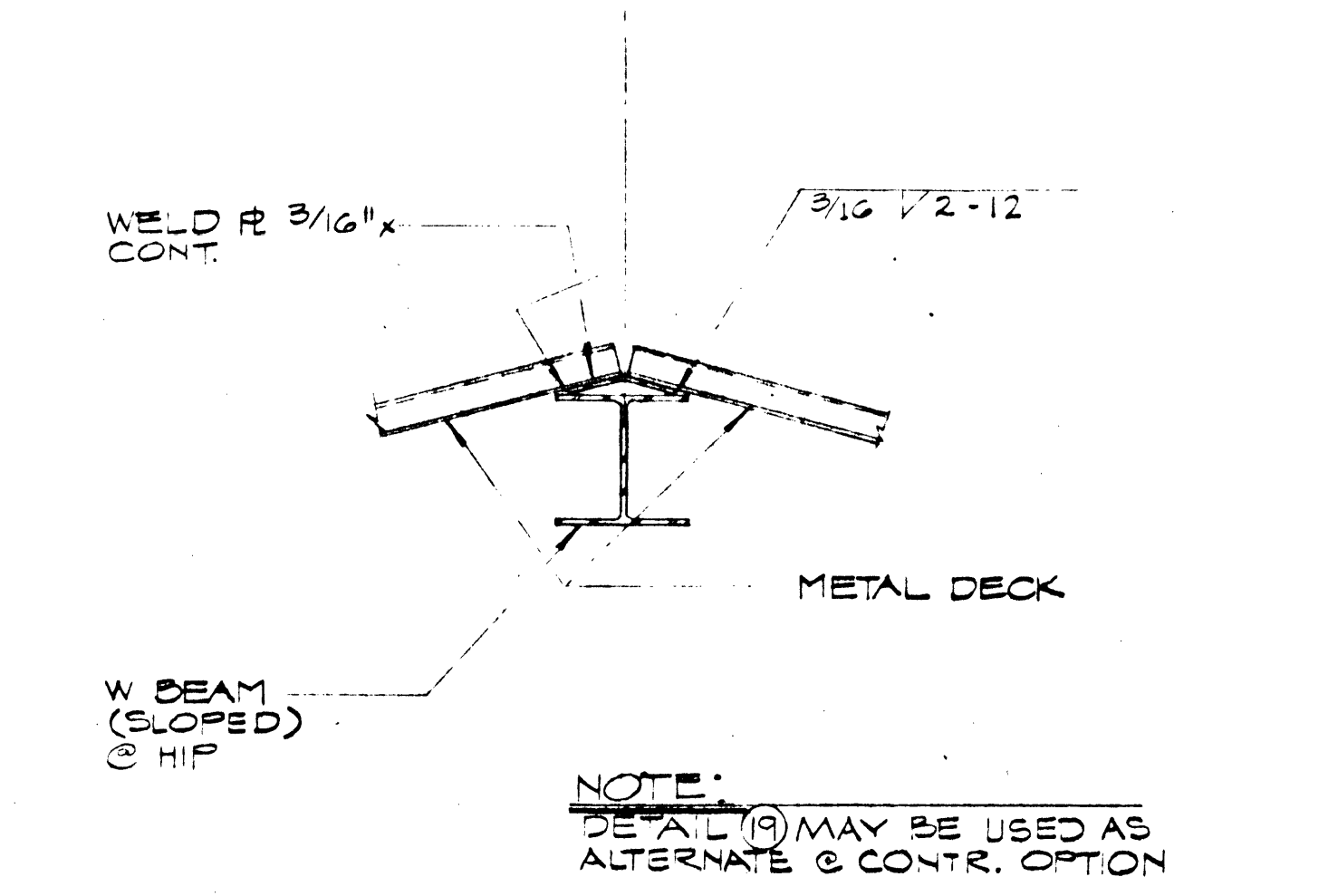
DETAIL 1
NO SCALE



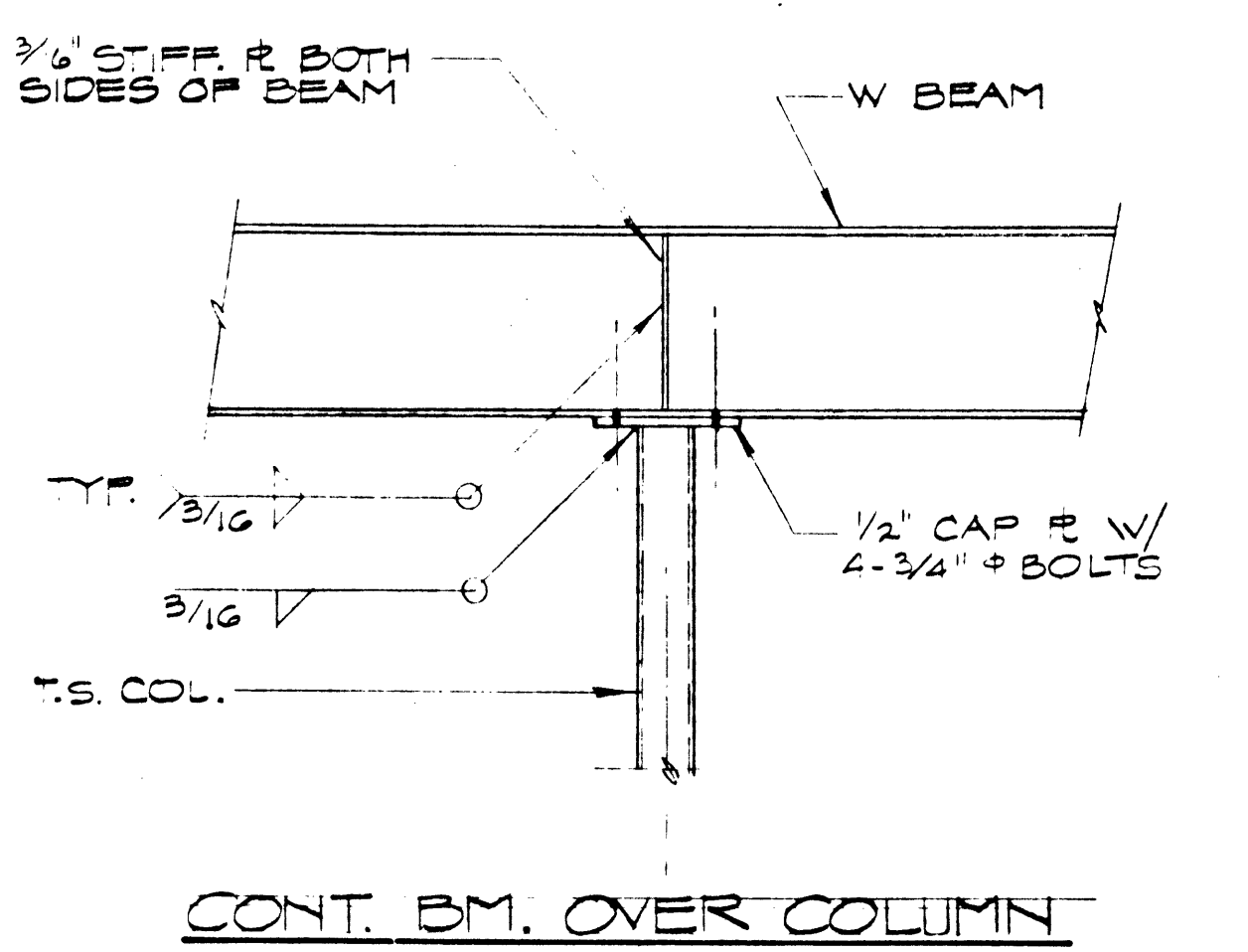
DETAIL 17
1/2" = 1'-0"



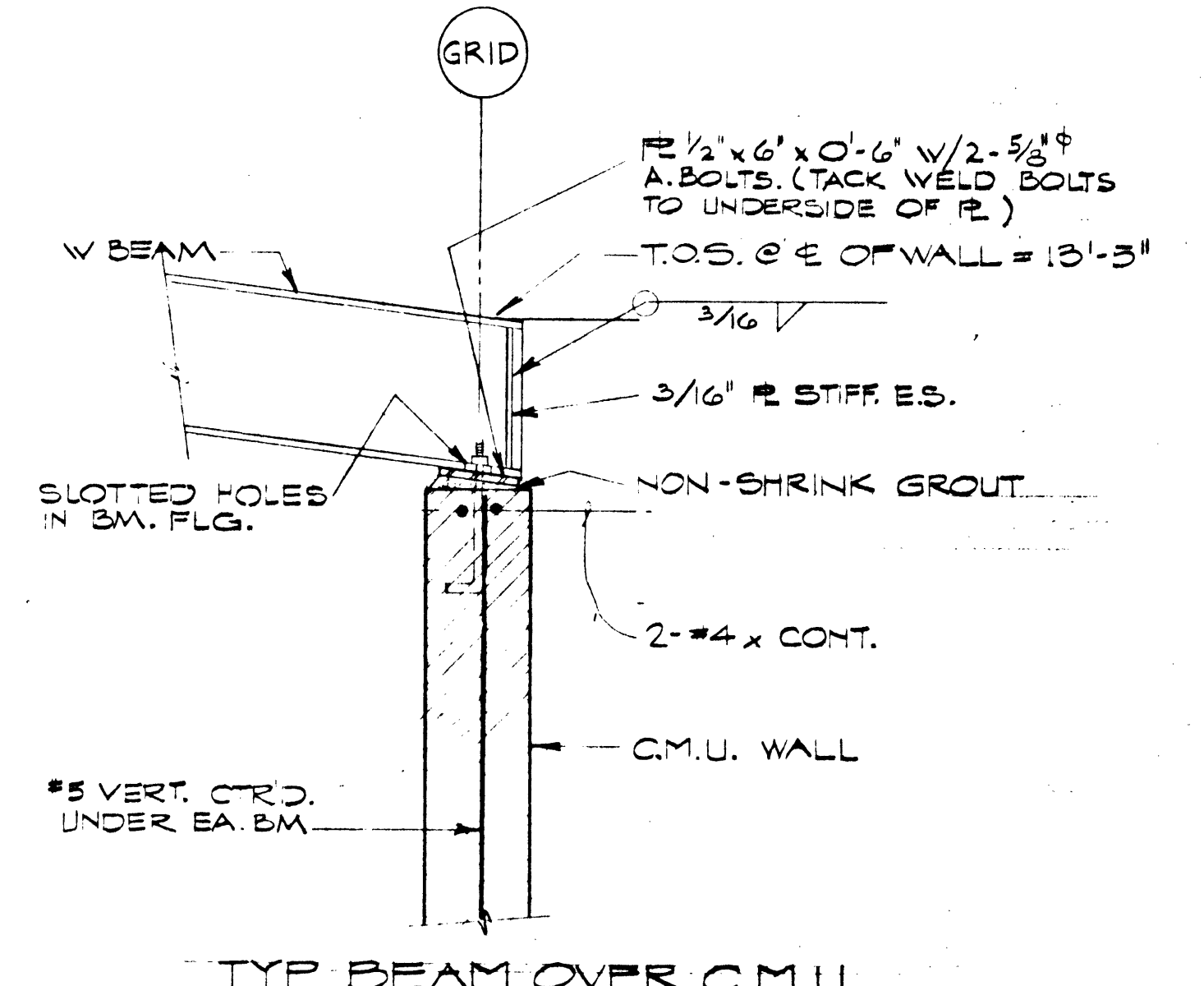
DETAIL 13
1" = 1'-0"



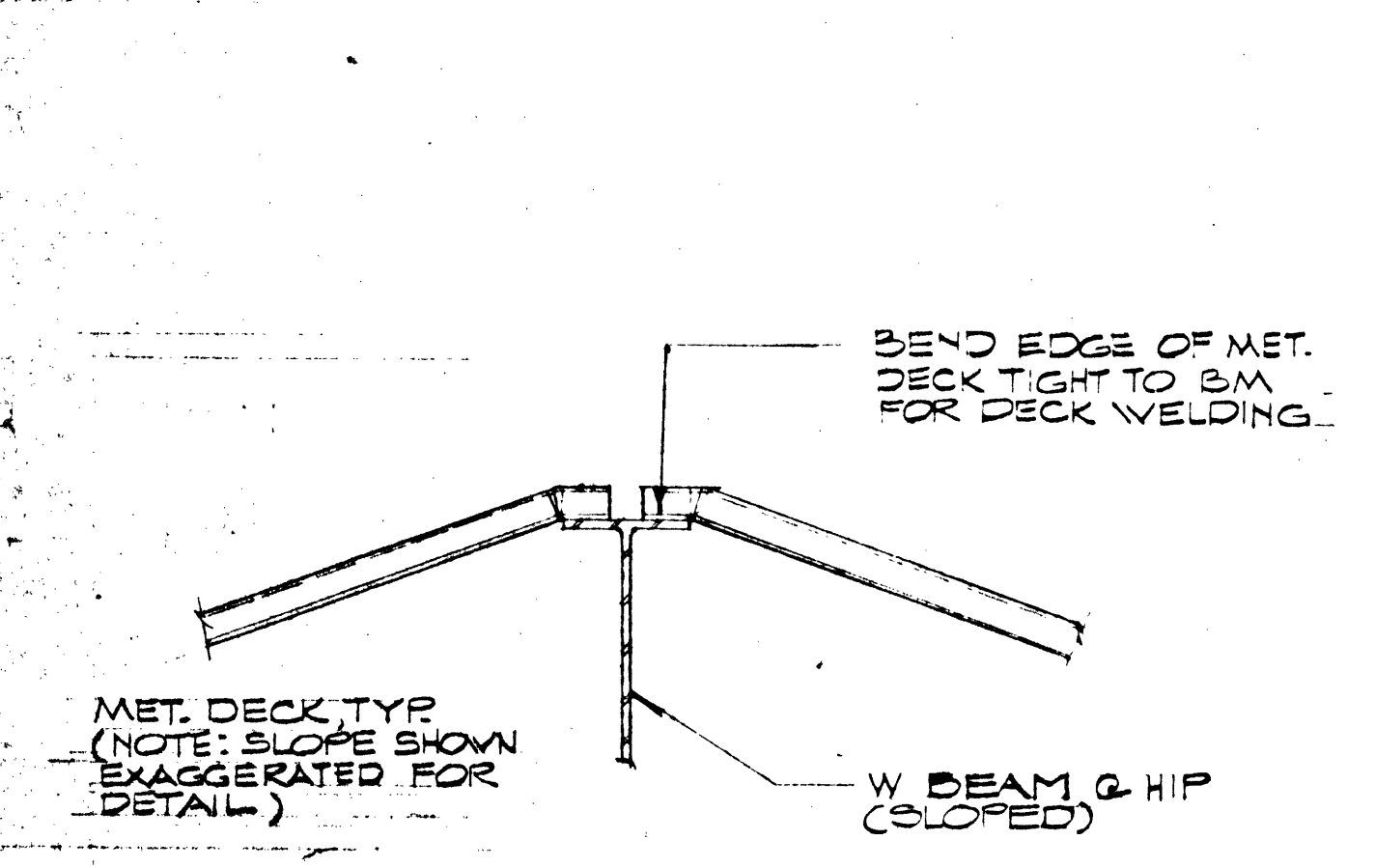
DETAIL 9
1/2" = 1'-0"



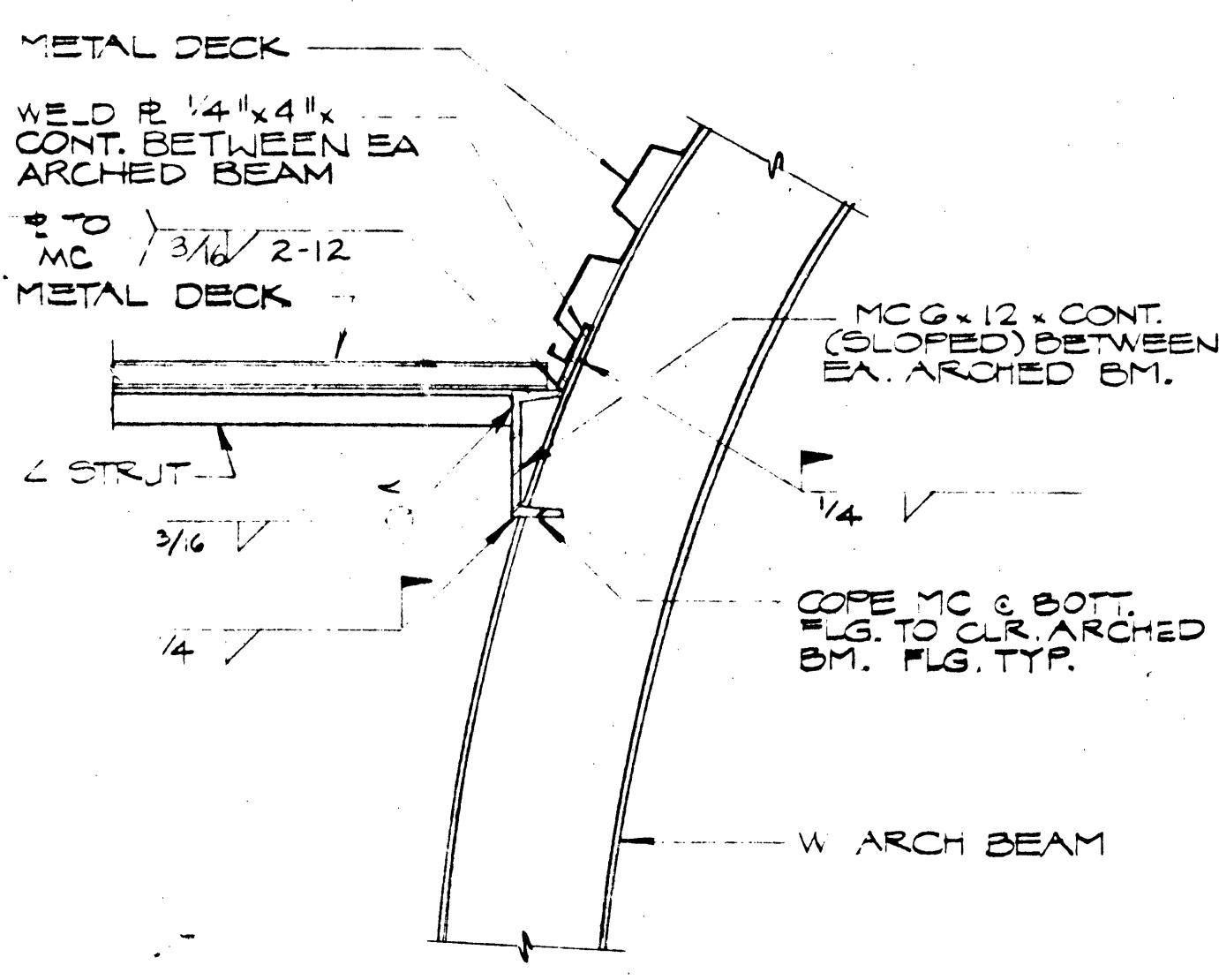
DETAIL 5
NO SCALE



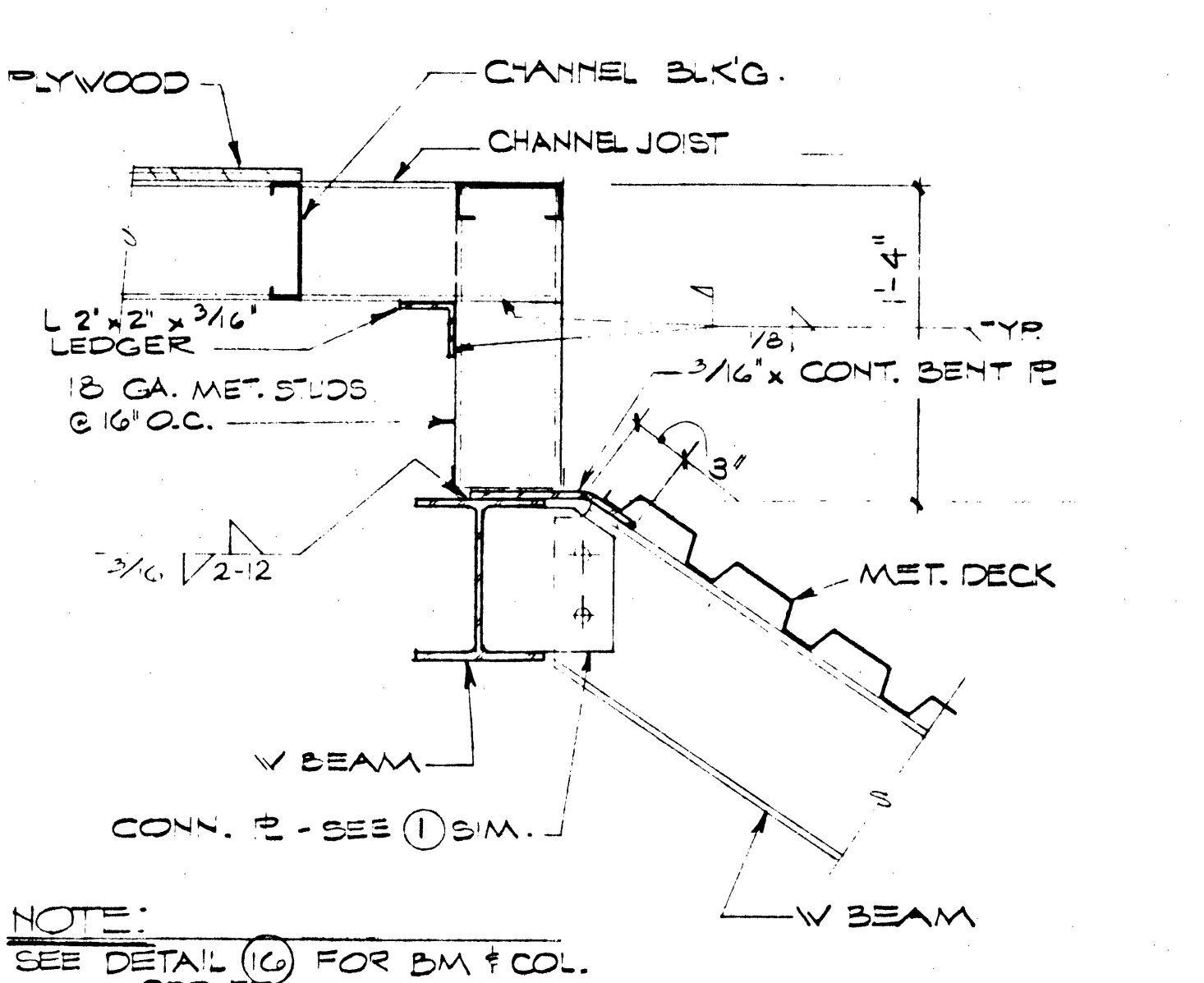
DETAIL 1
NO SCALE



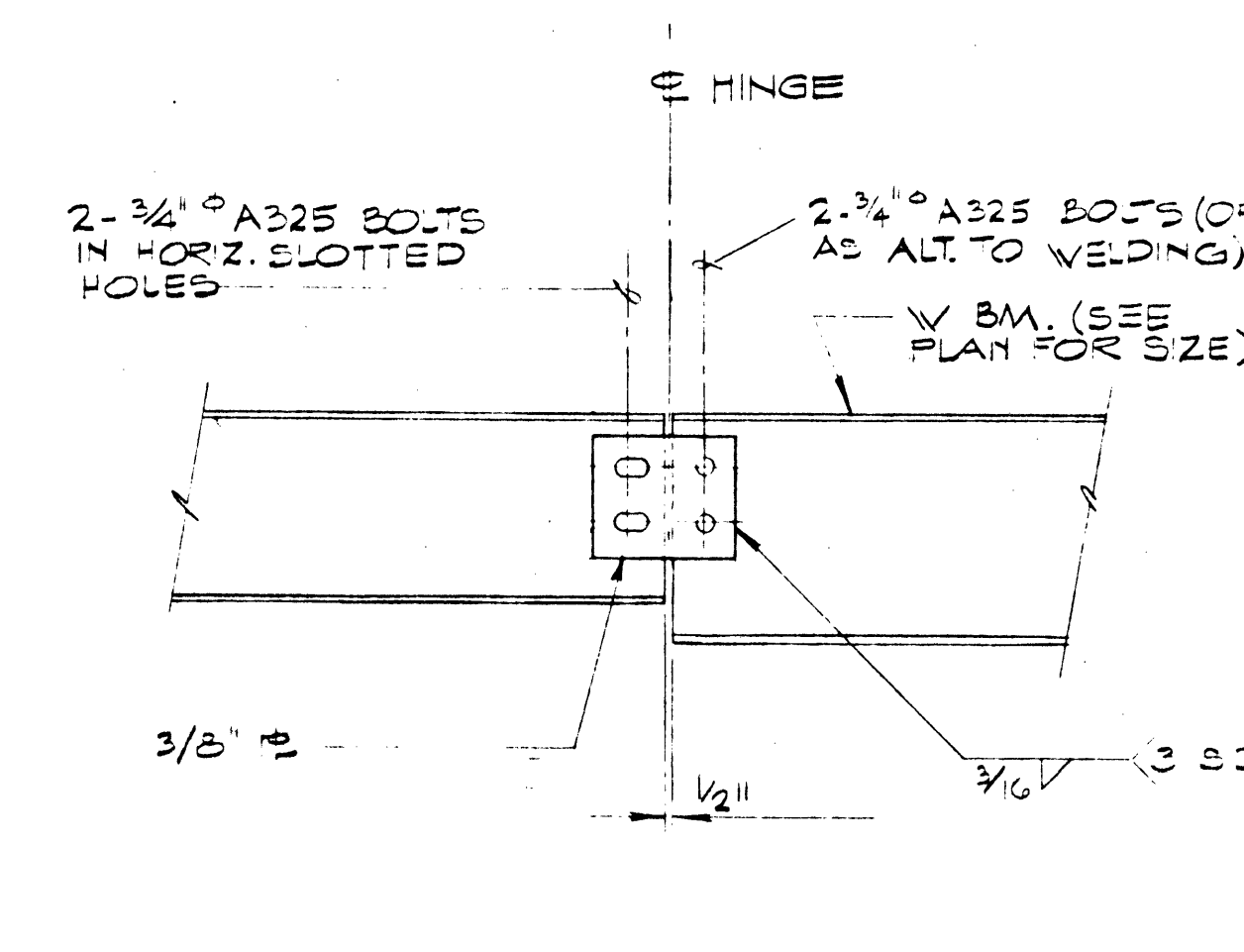
DETAIL 18
1/2" = 1'-0"



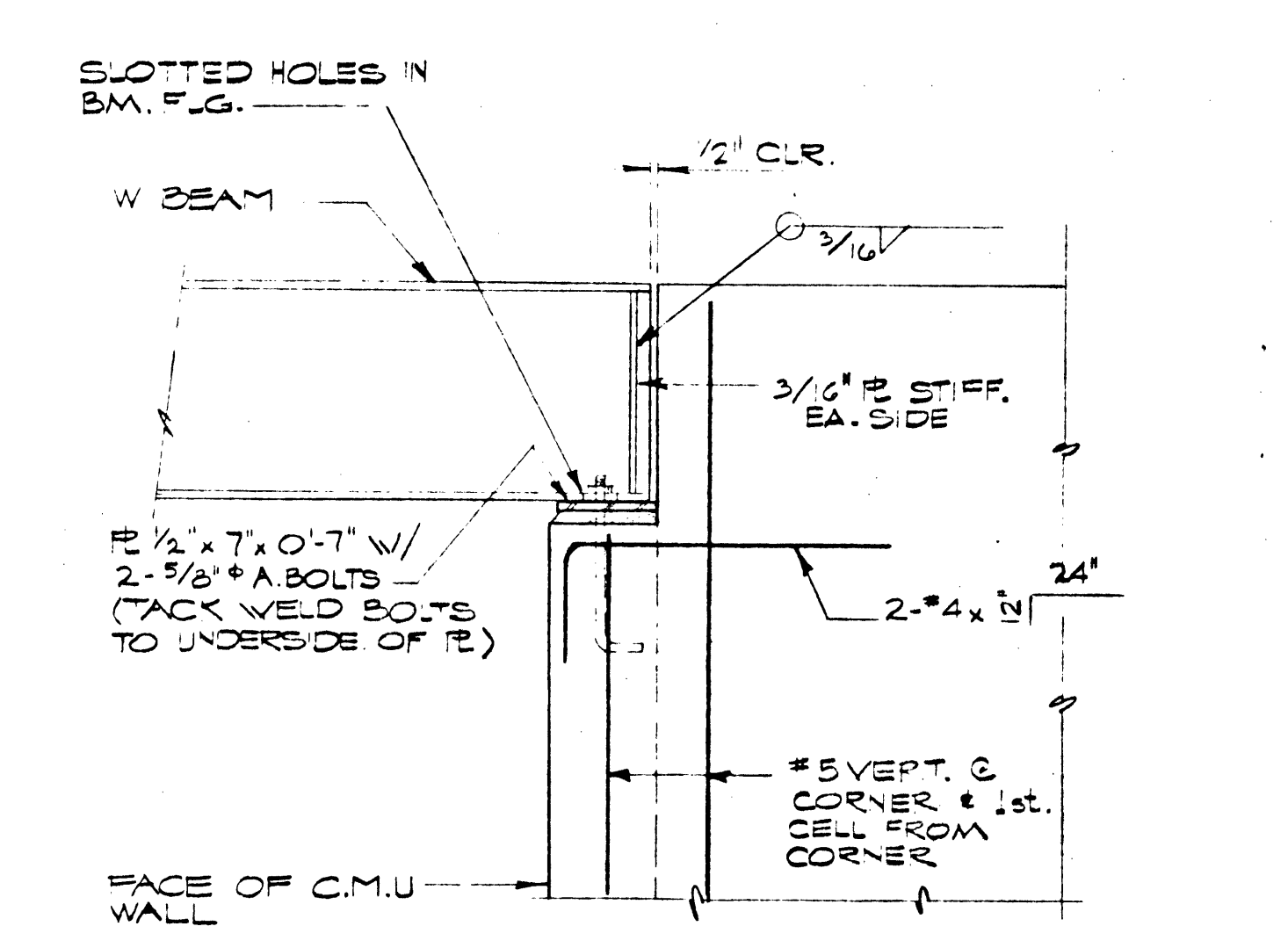
DETAIL 14
1" = 1'-0"



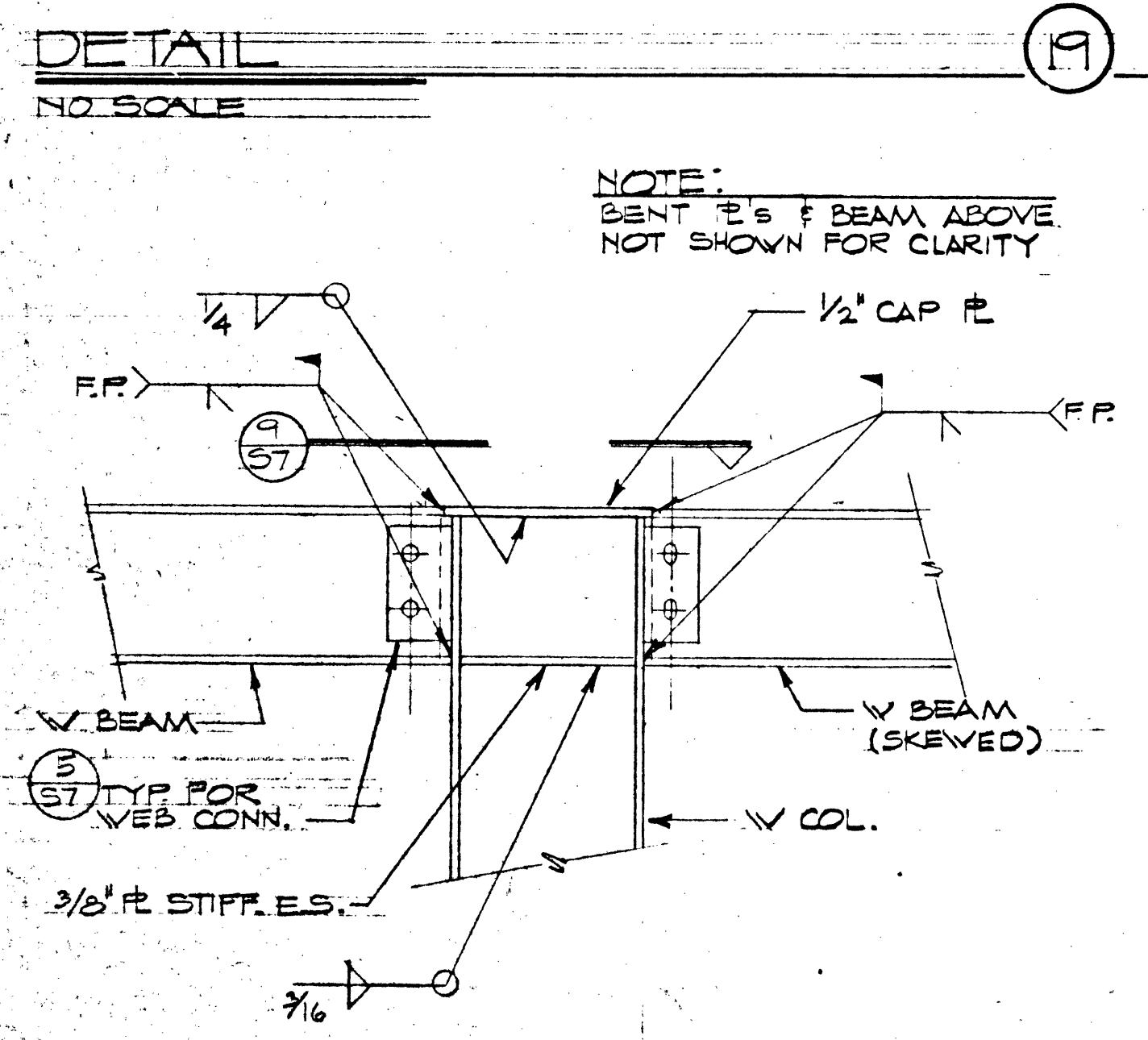
DETAIL 10
1/2" = 1'-0"



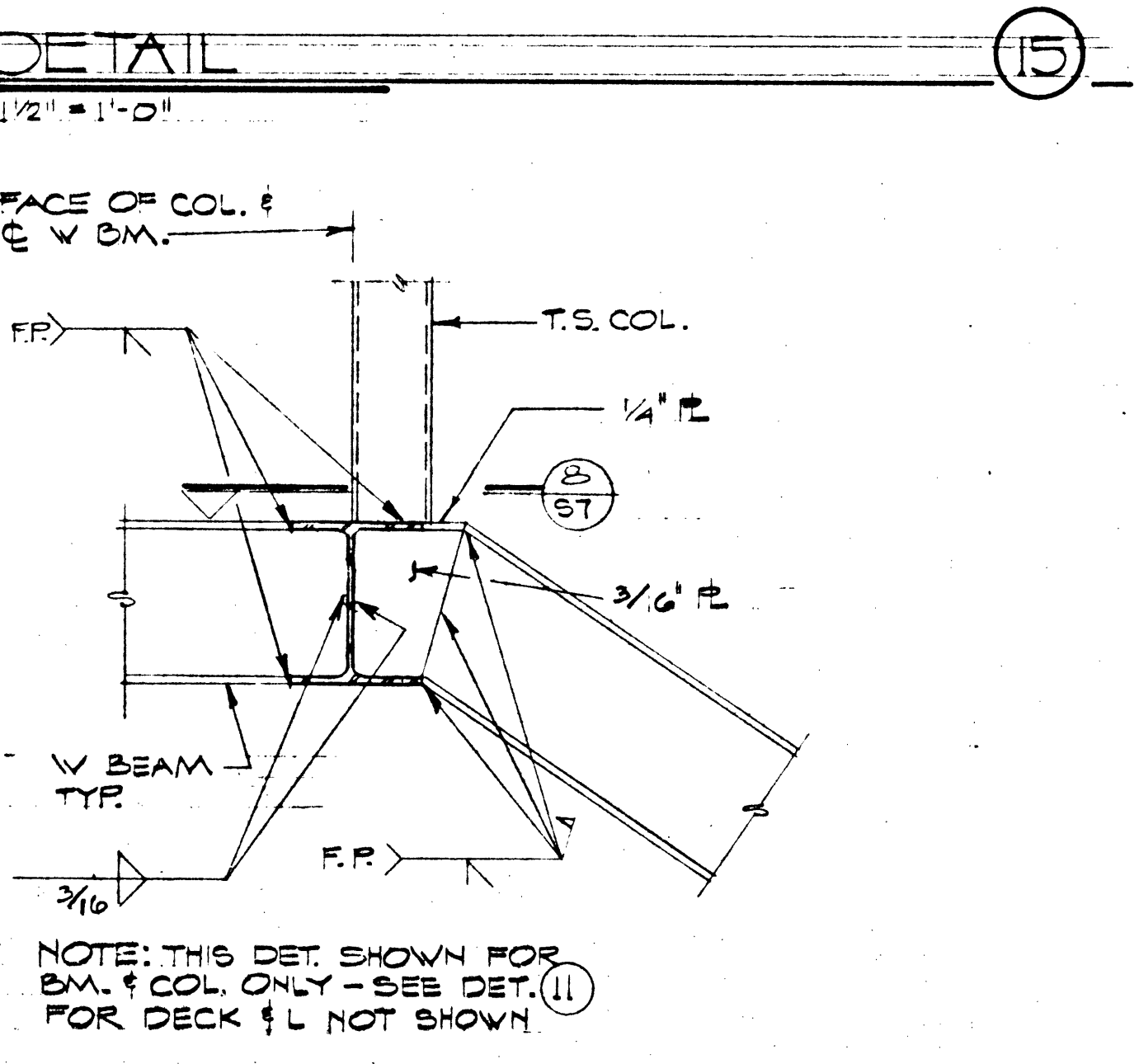
DETAIL 6
NO SCALE



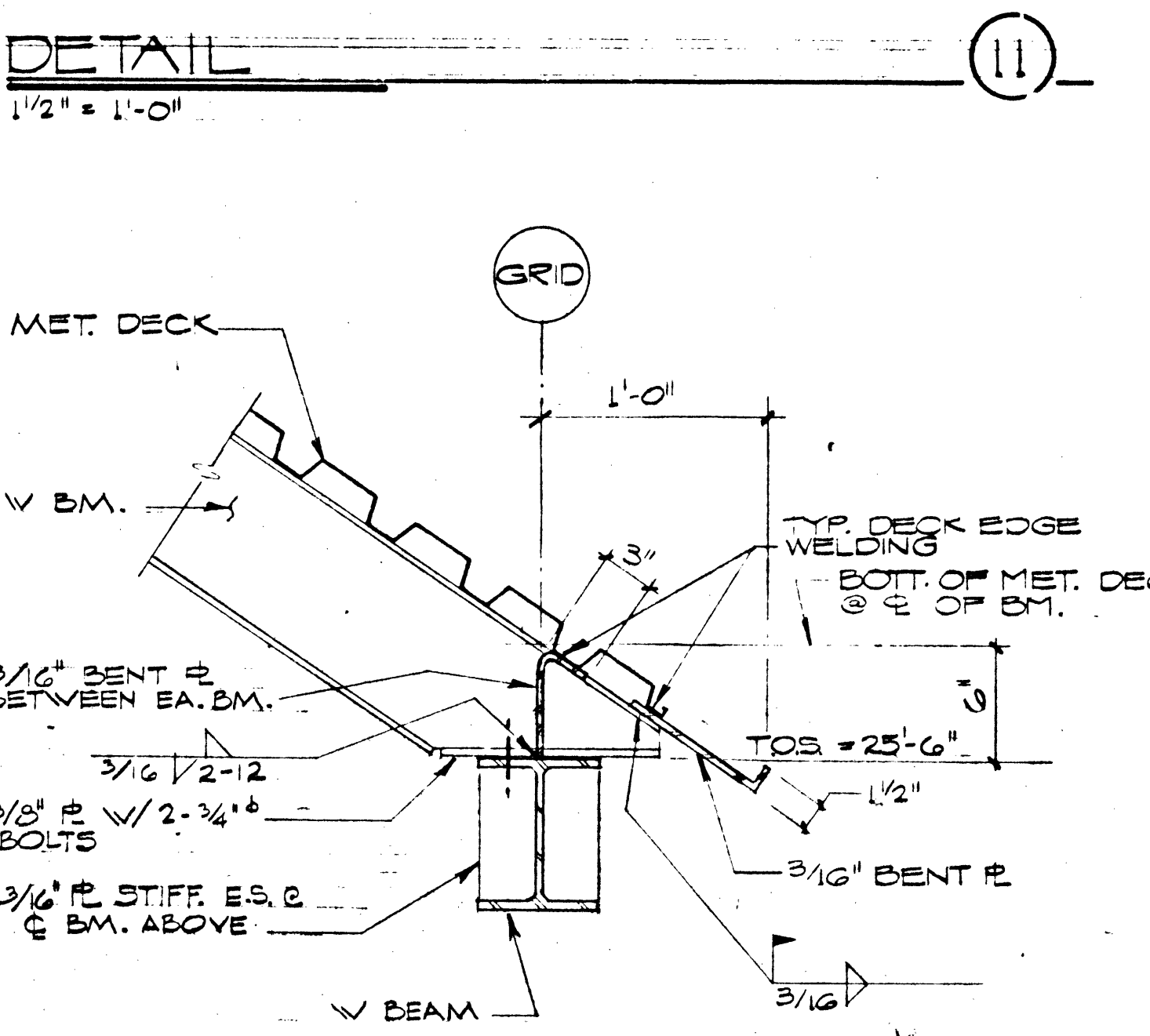
DETAIL 2
NO SCALE



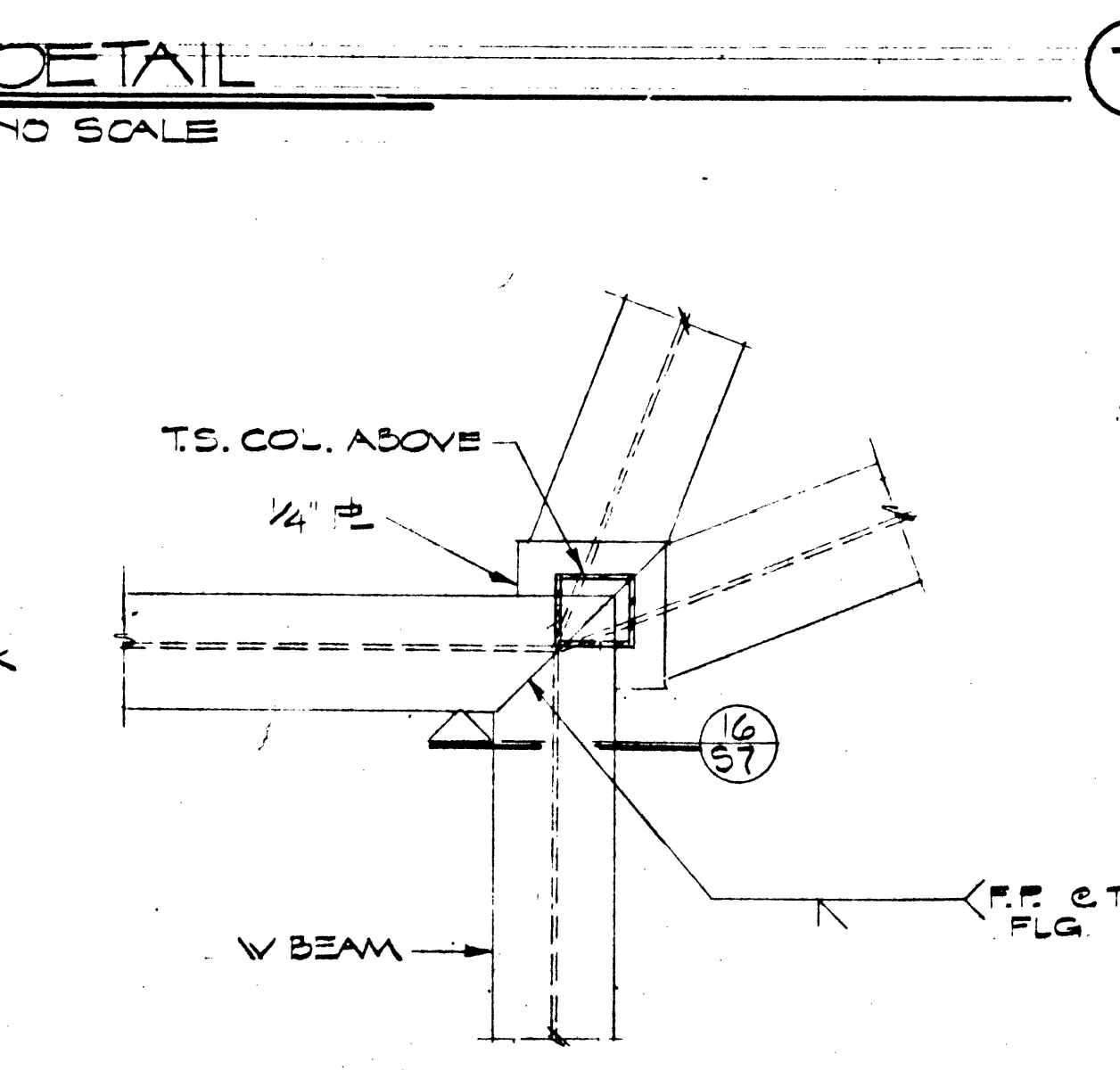
DETAIL 19
NO SCALE



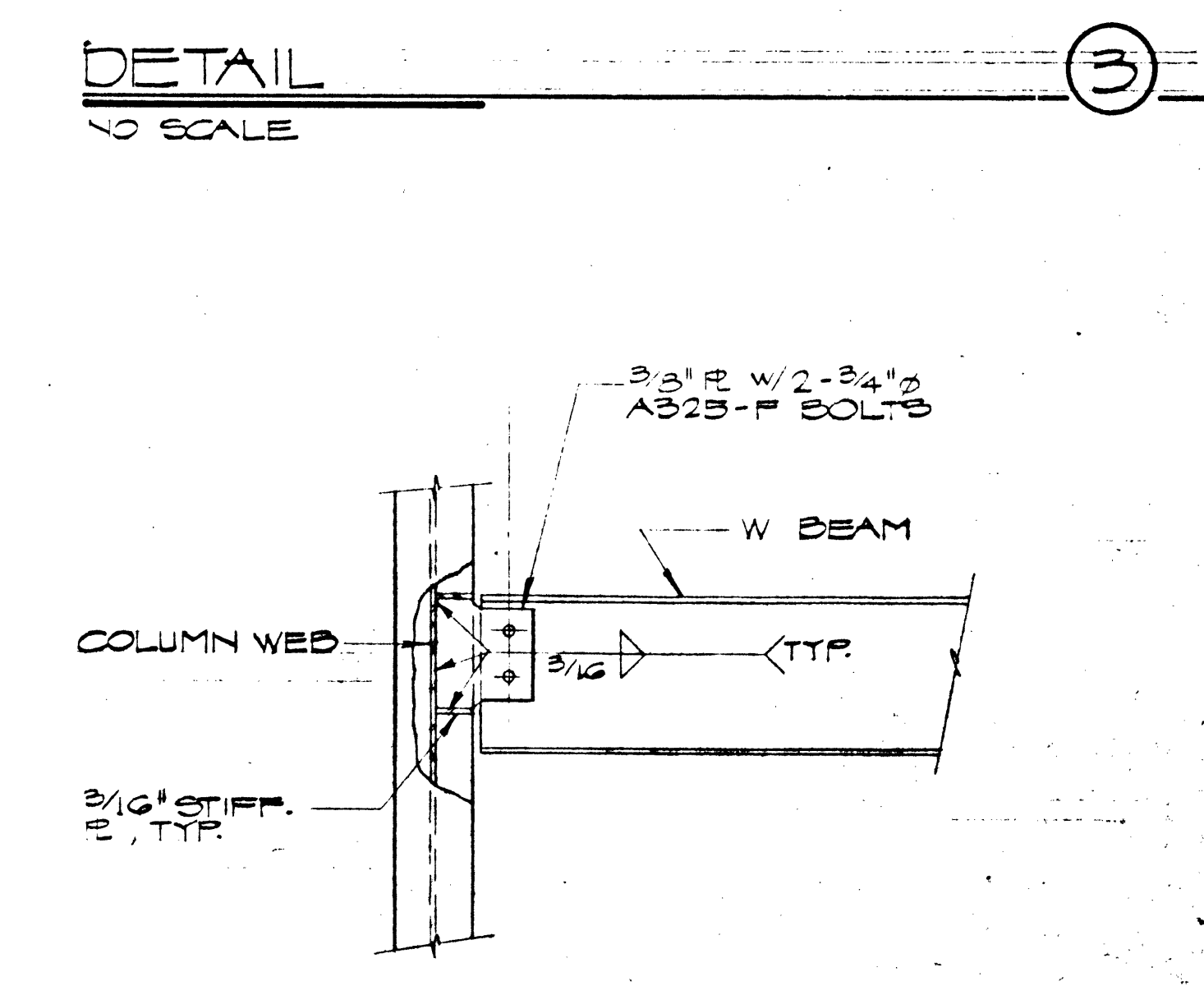
DETAIL 15
1/2" = 1'-0"



DETAIL 11
1/2" = 1'-0"



DETAIL 7
NO SCALE



DETAIL 3
NO SCALE

DETAIL 20
1" = 1'-0"

DETAIL 16
1/2" = 1'-0"

DETAIL 12
1/2" = 1'-0"

DETAIL 8
1/2" = 1'-0"

DETAIL 4
NO SCALE

GUNNY BRIZENDINE & POGEMEYER
PLANNERS
ENGINEERS
ARCHITECTS
1000 EAST WASHINGTON DRIVE
SUITE 200
LAS VEGAS, NEVADA 89101
(702) 733-0435

DOBUSKY KITTRELL GARLOCK
Architects
3114
1000 EAST WASHINGTON DRIVE
SUITE 200
LAS VEGAS, NEVADA 89101
(702) 733-0435

City of Las Vegas
Downtown Transportation Center
Las Vegas, Nevada

SHEET
S-7
OF 49 OF 65
12
FILE NUMBER 590-21