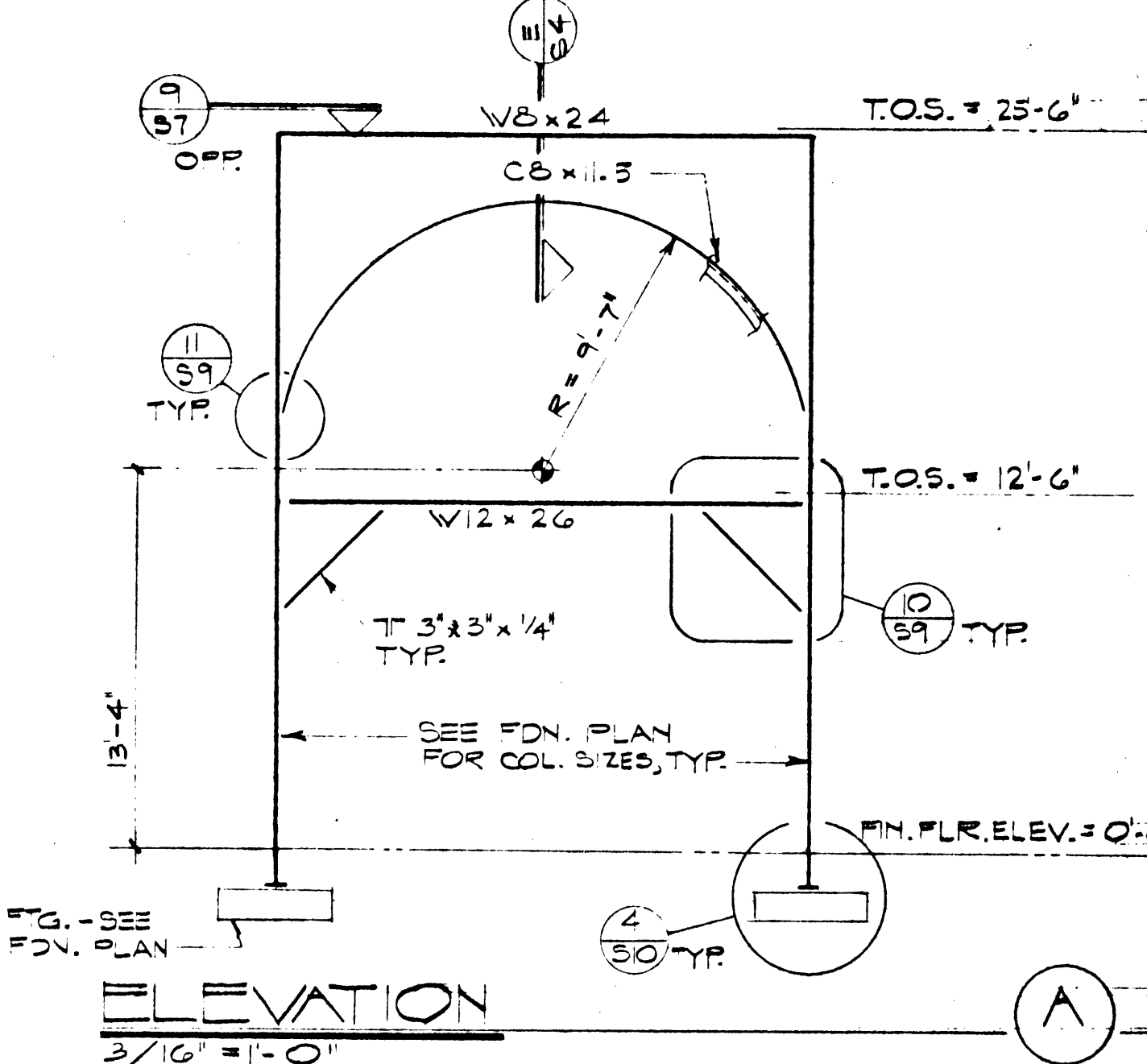
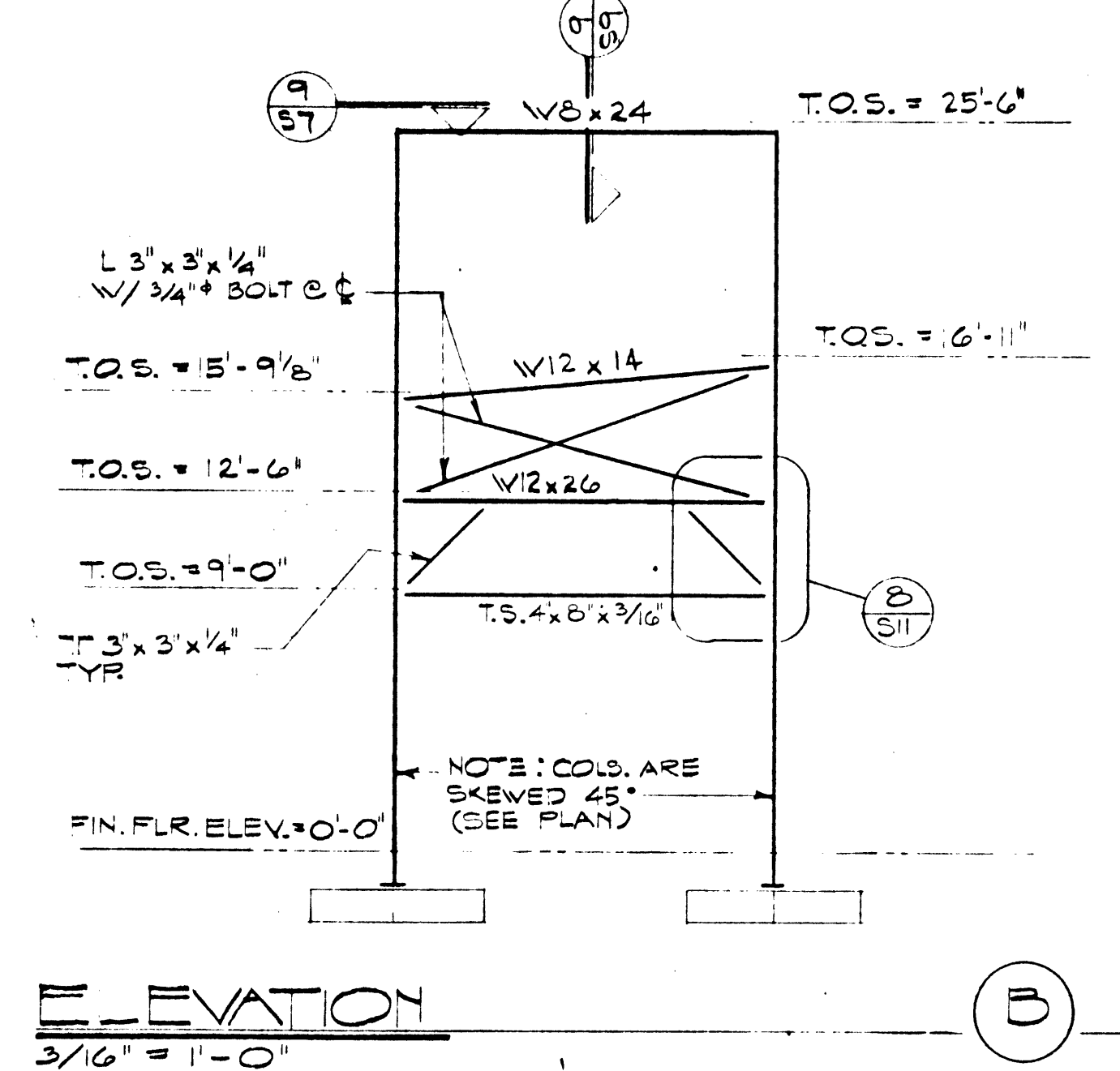
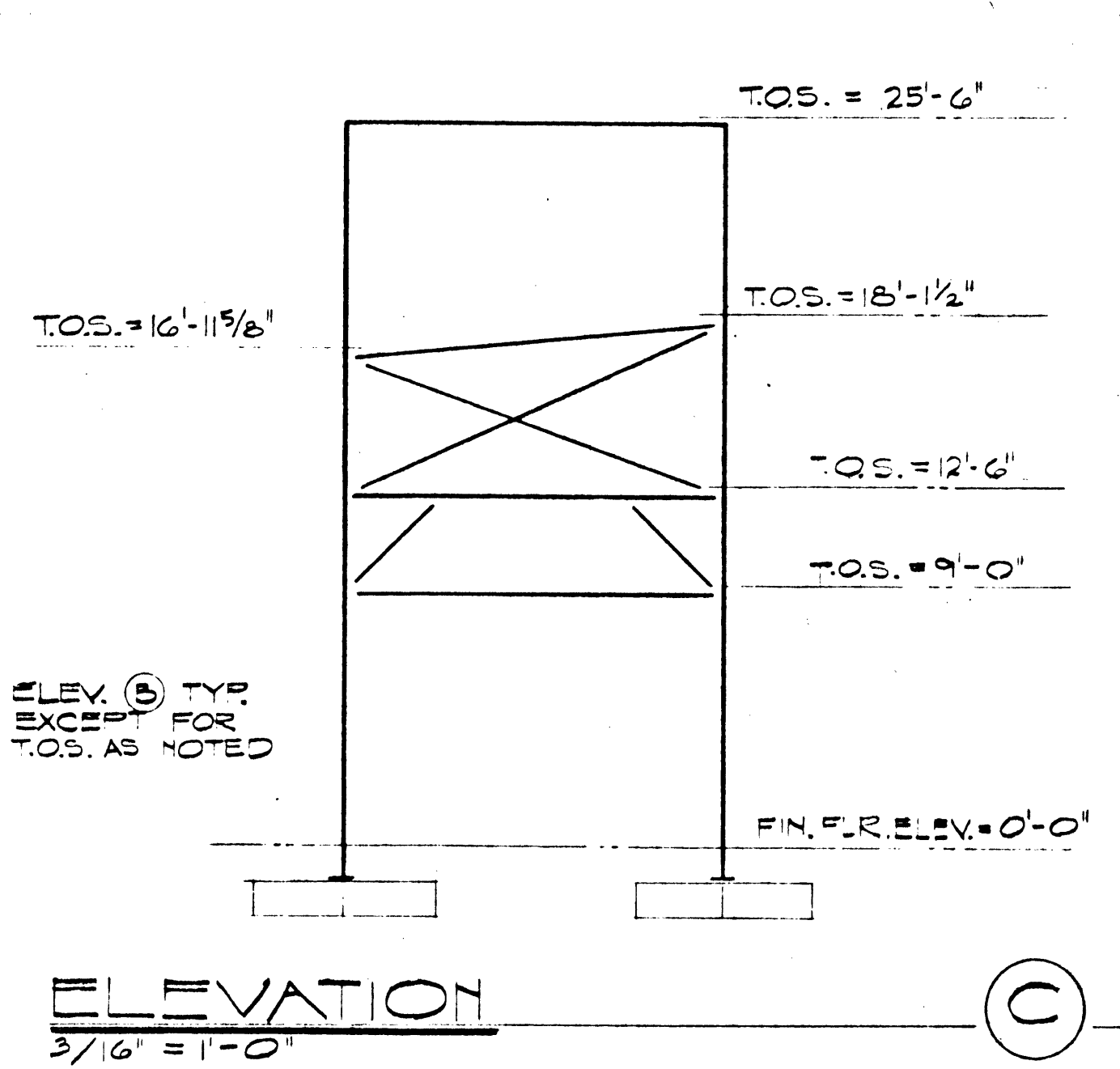
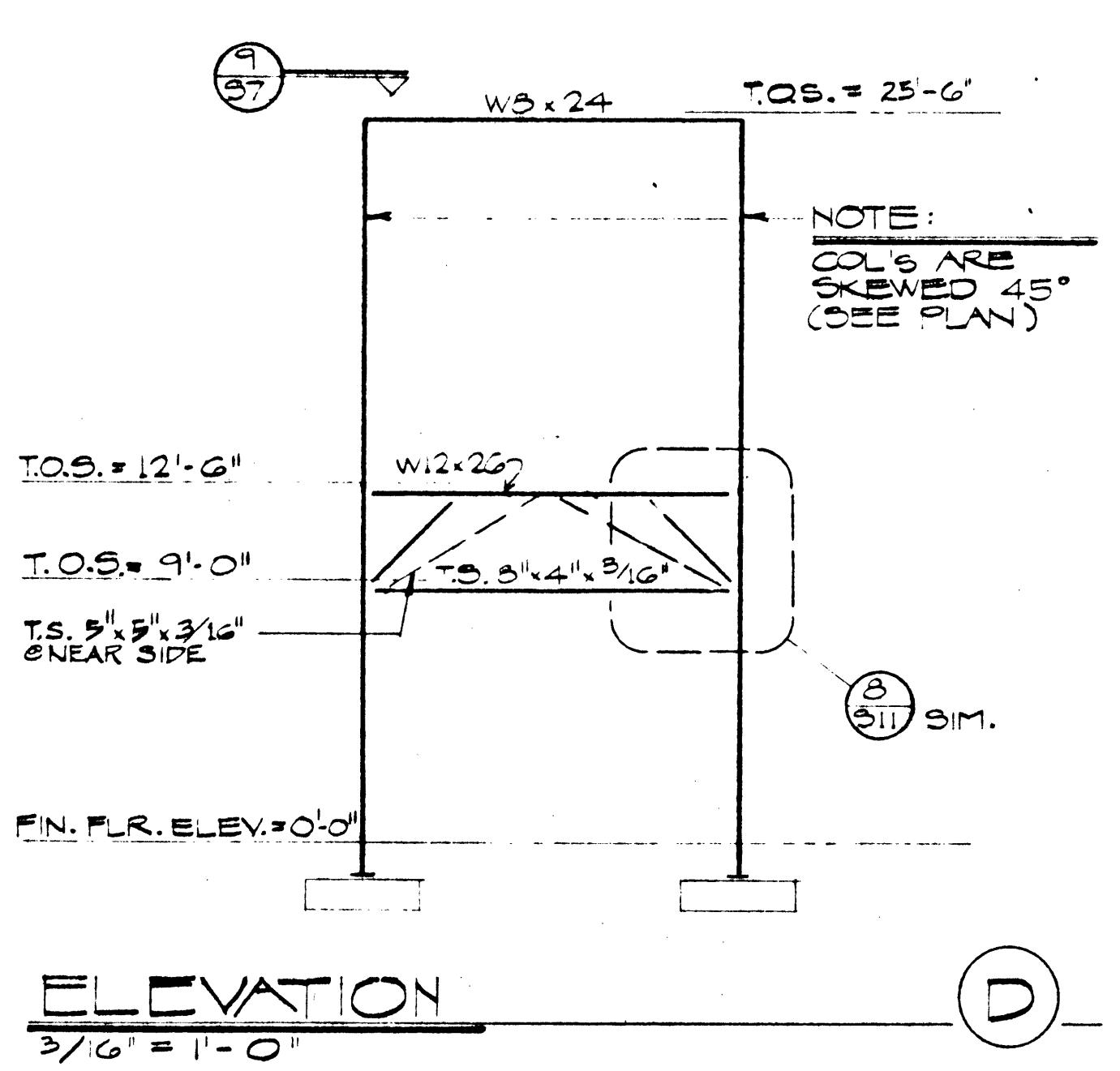
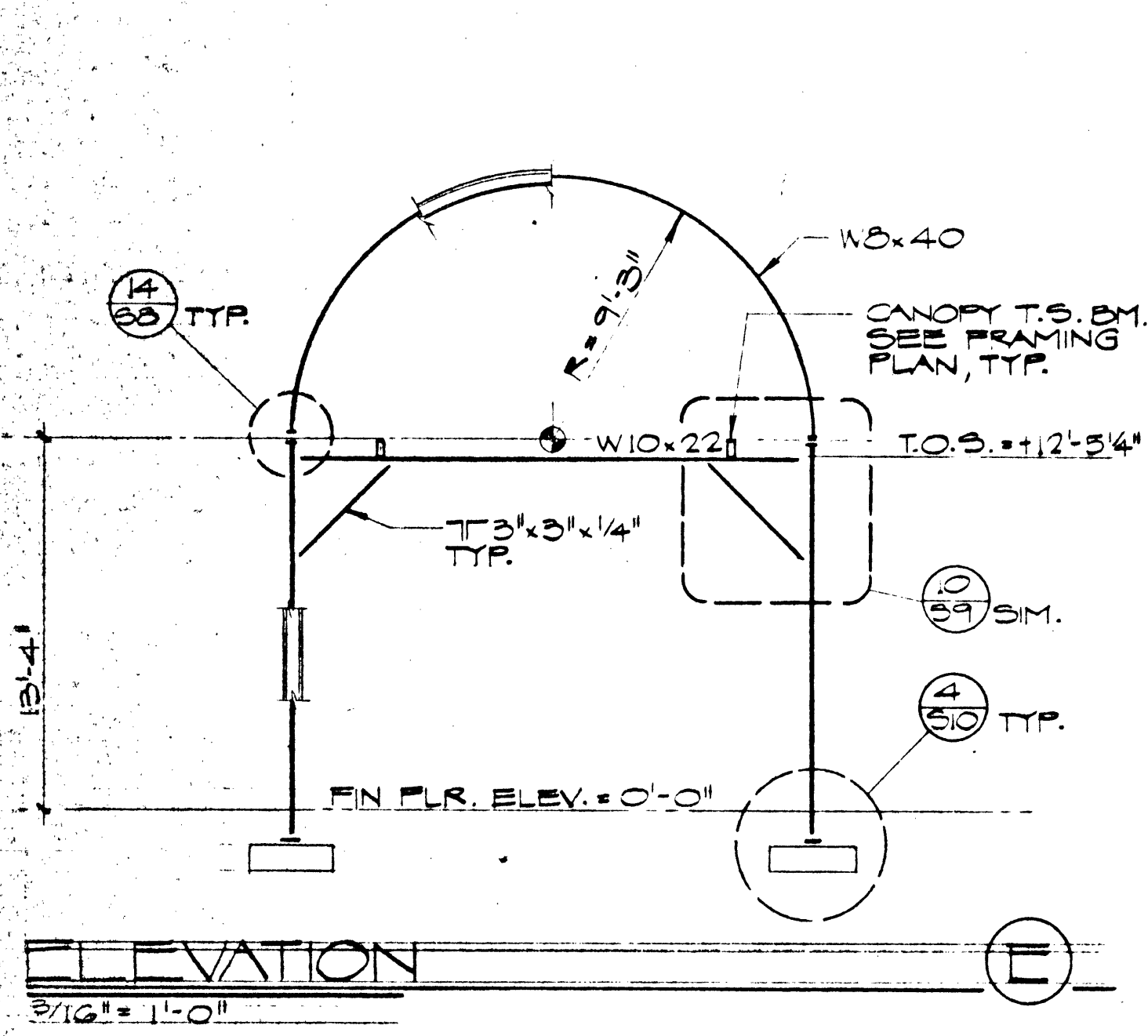


SECTION 1
3/16" = 1'-0"

DETAIL 2
3/8" = 1'-0"

DETAIL 1
3/16" = 1'-0"



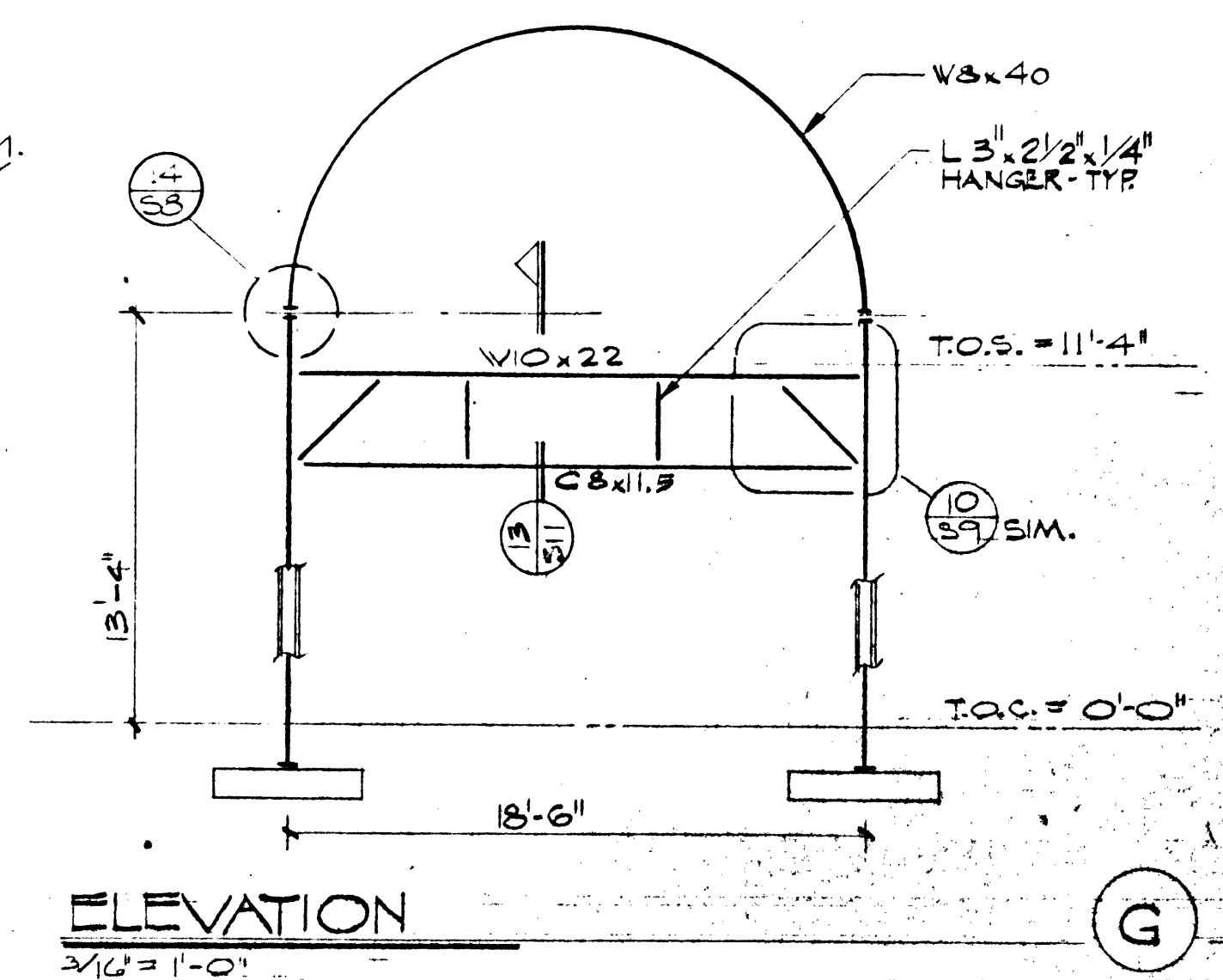
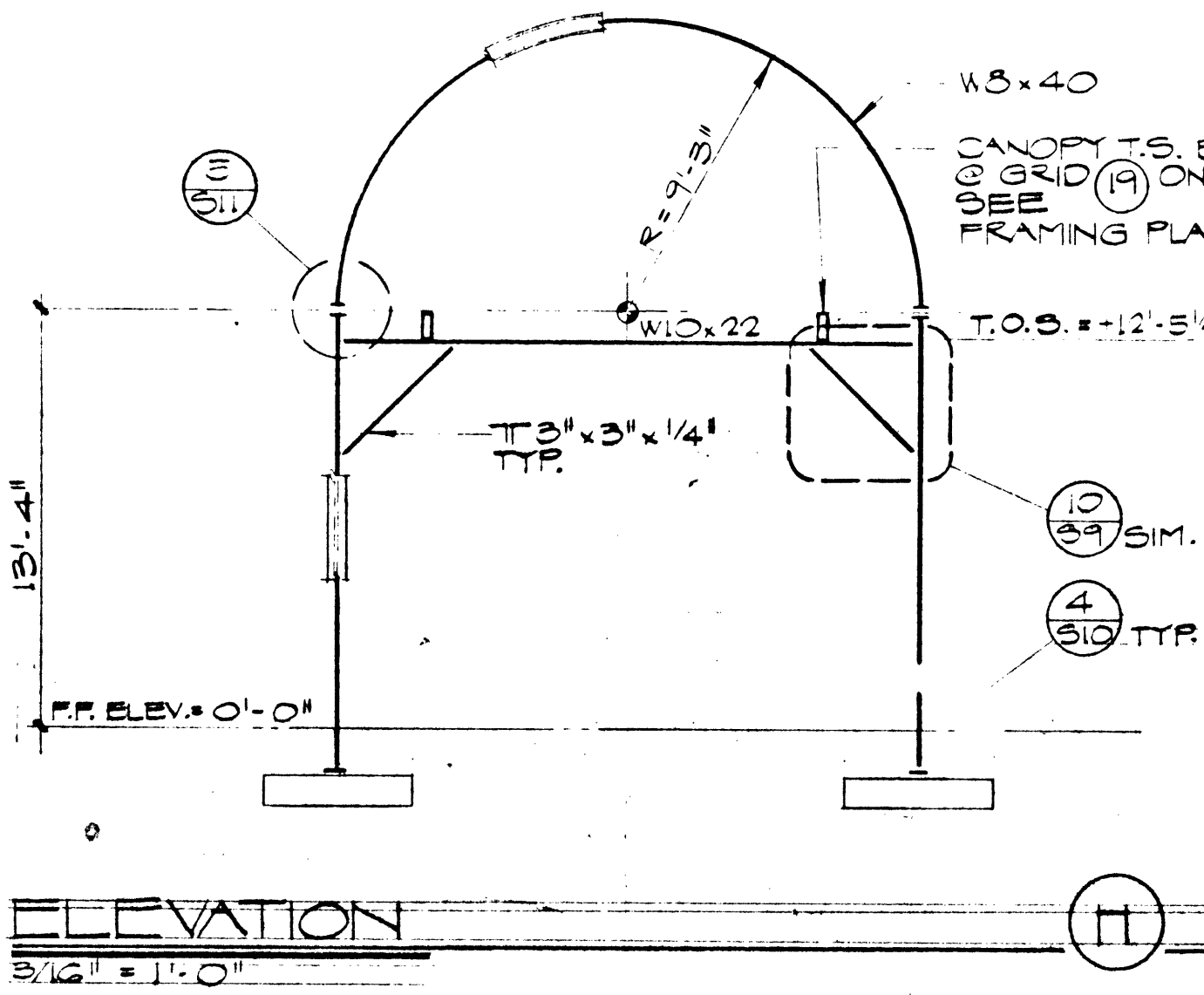
ELEVATION 1
3/16" = 1'-0"

ELEVATION 2
3/16" = 1'-0"

ELEVATION 3
3/16" = 1'-0"

ELEVATION 4
3/16" = 1'-0"

ELEVATION 5
3/16" = 1'-0"



ELEVATION 6
3/16" = 1'-0"

ELEVATION 7
3/16" = 1'-0"

ELEVATION 8
3/16" = 1'-0"

ELEVATION 9
3/16" = 1'-0"

ELEVATION 10
3/16" = 1'-0"

11-15-85 ADDENDUM

GUNNY, BRIZENDINE & POGGEMEYER
ENGINEERS
PLANNERS
ARCHITECTS
1000 WEST HARRISON AVENUE, SUITE 1000, LAS VEGAS, NEVADA 89103
PHONE: 755-1111
FAX: 755-1111

DOHRUSKY KITTRELL GARLOCK
Architects
1000 CAMDEN ST., LAS VEGAS, NEVADA 89109
(702) 755-0123

City of Las Vegas
Transportation
Center
Las Vegas, Nevada

S-4
OF 46 OF 65
FILE NUMBER: 59021