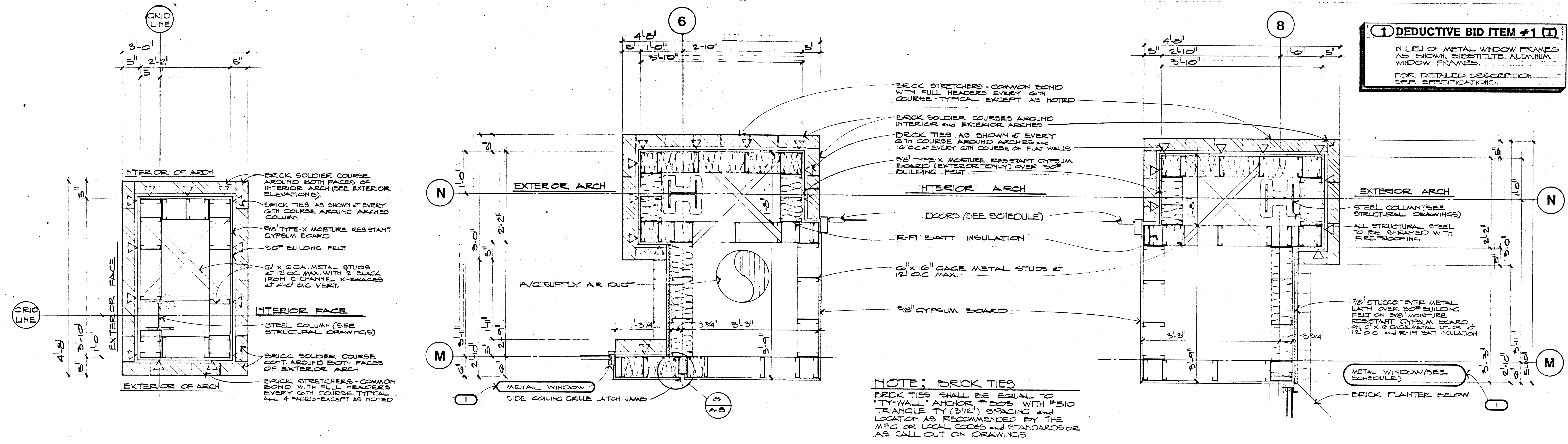


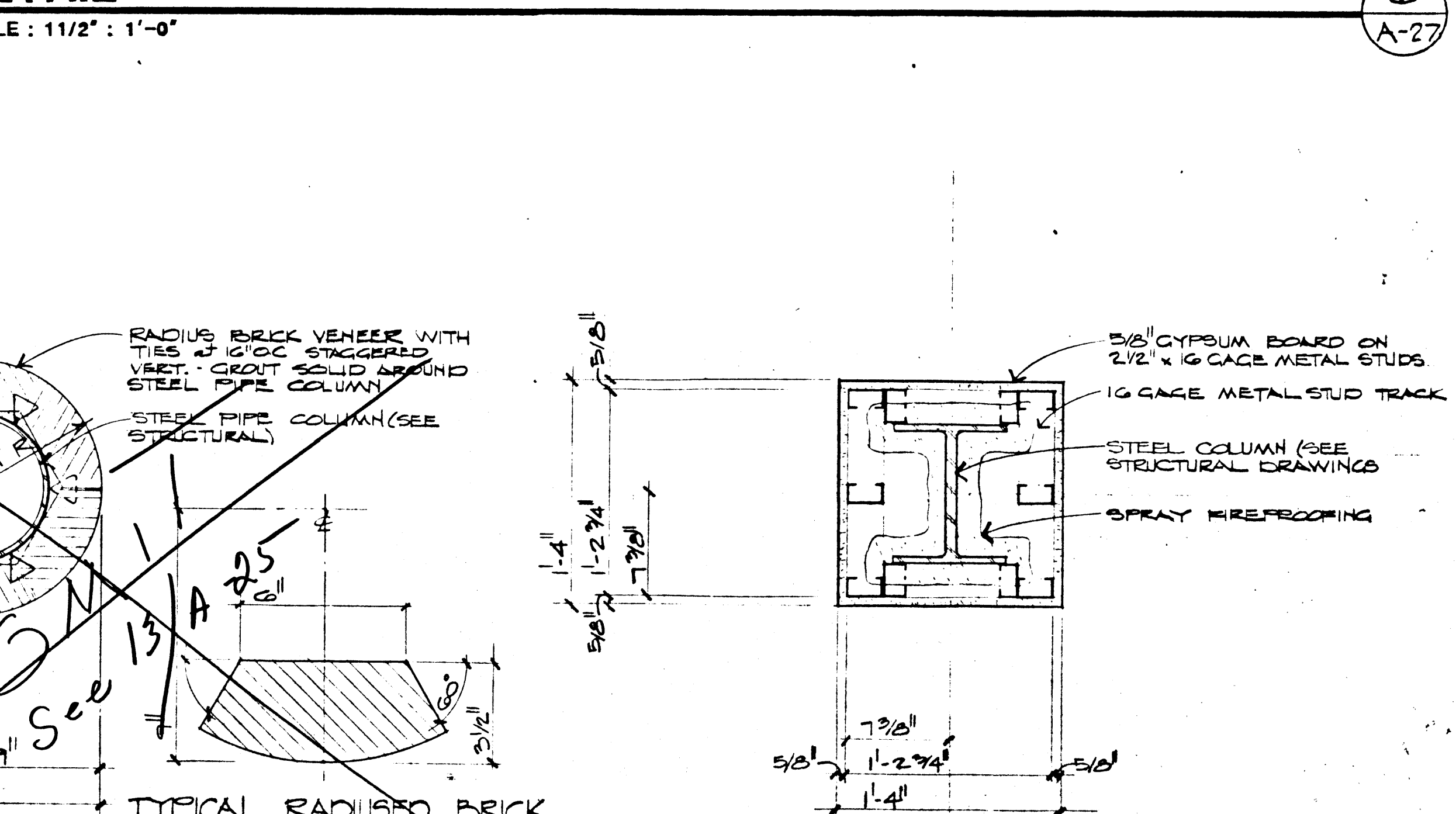
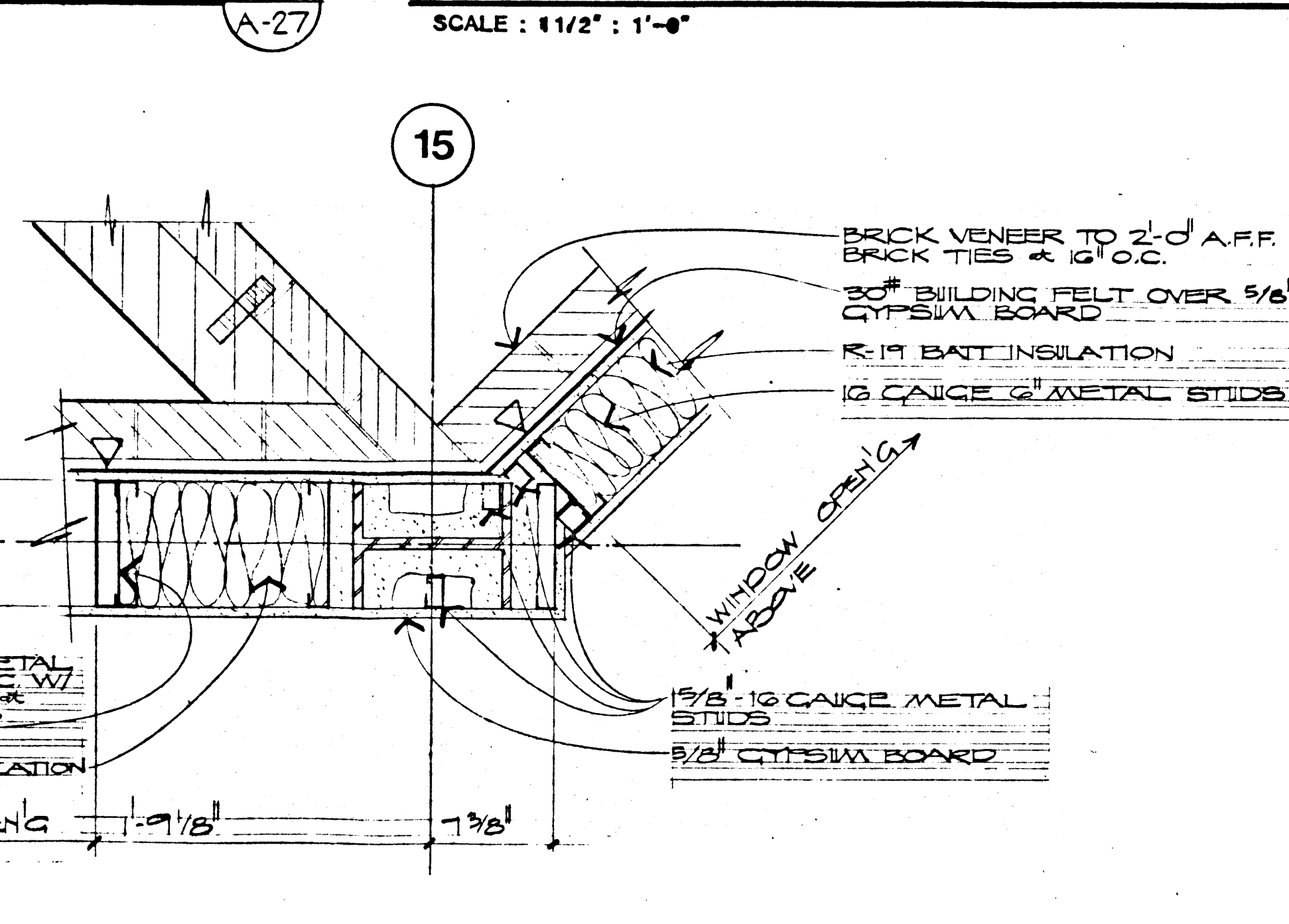
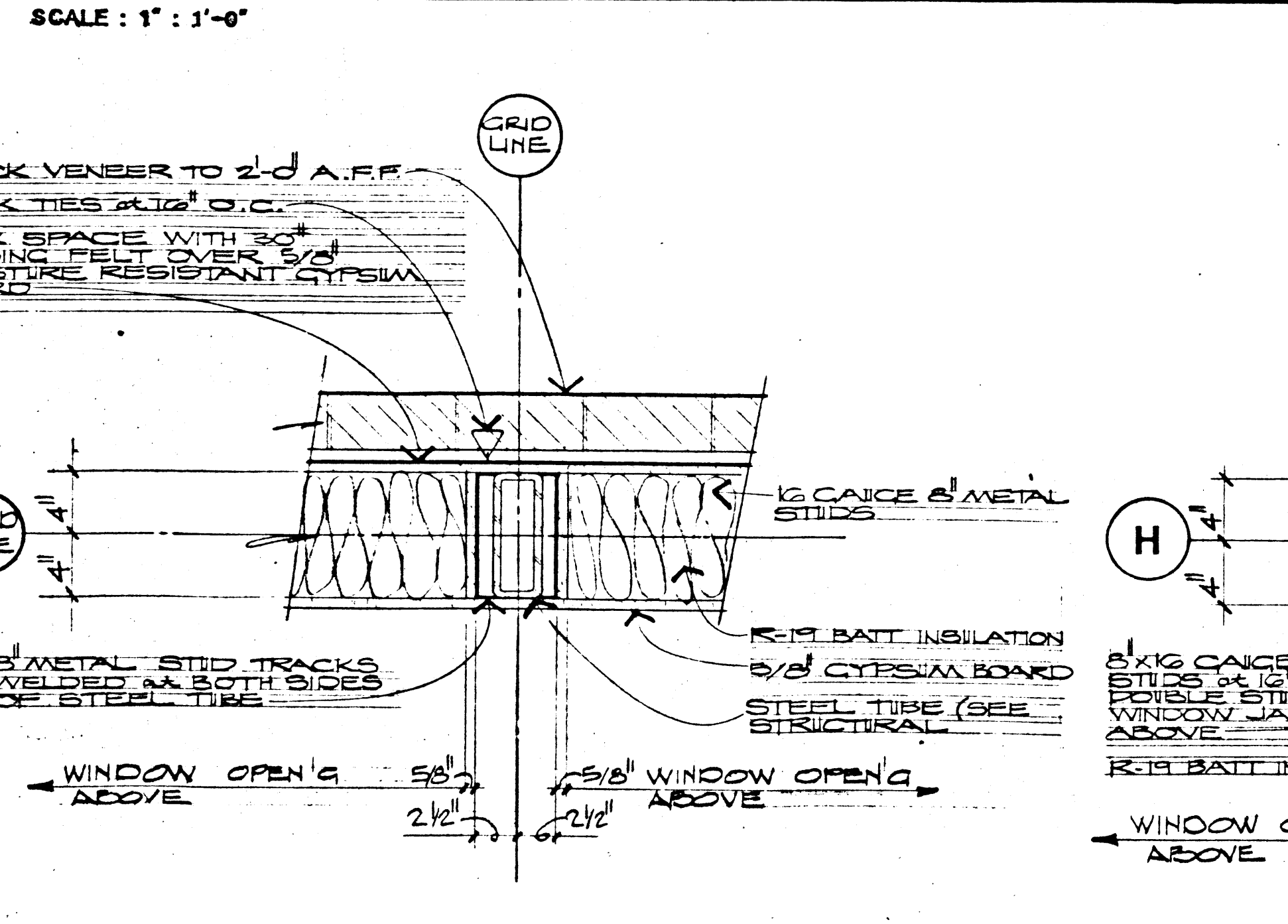
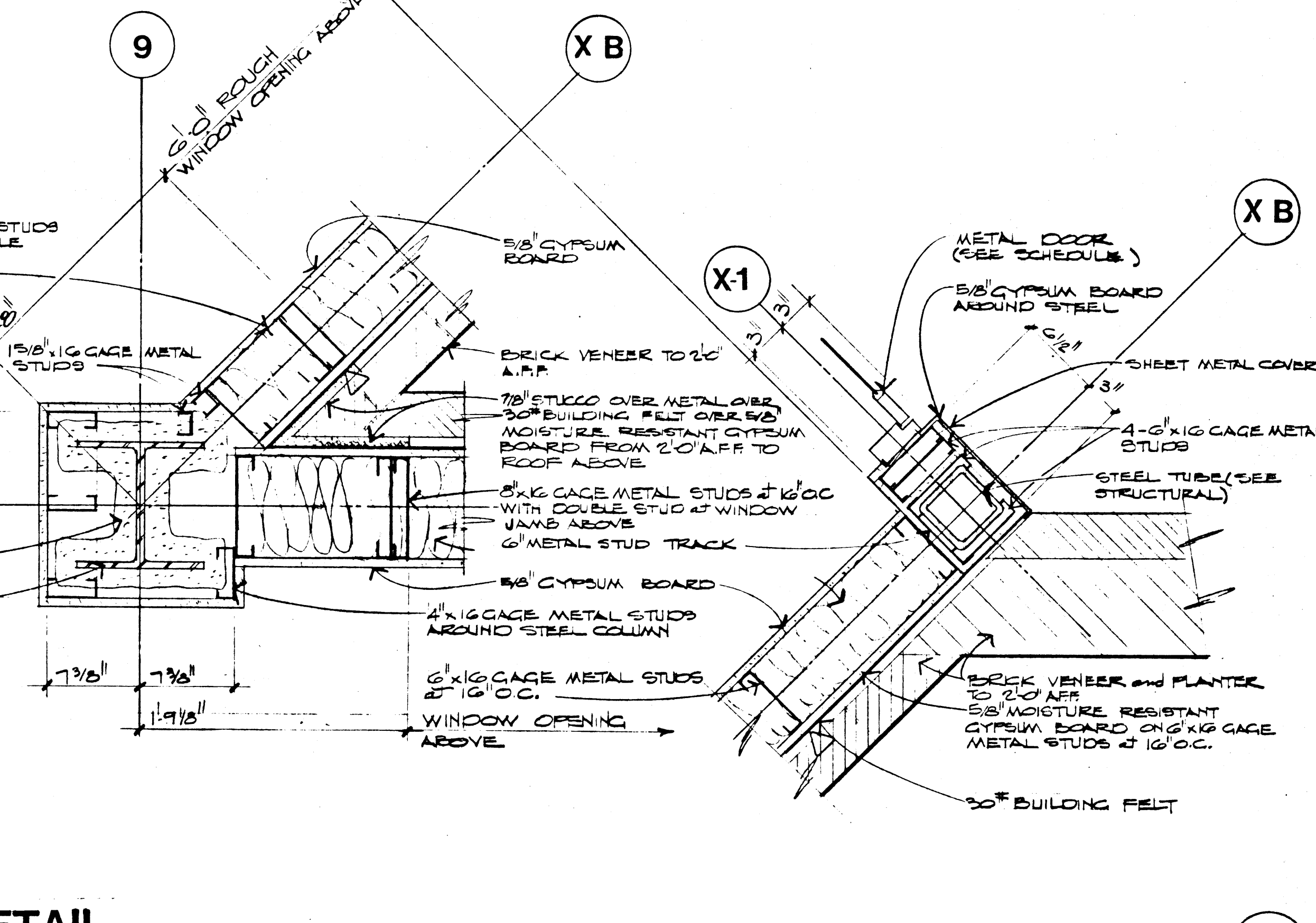
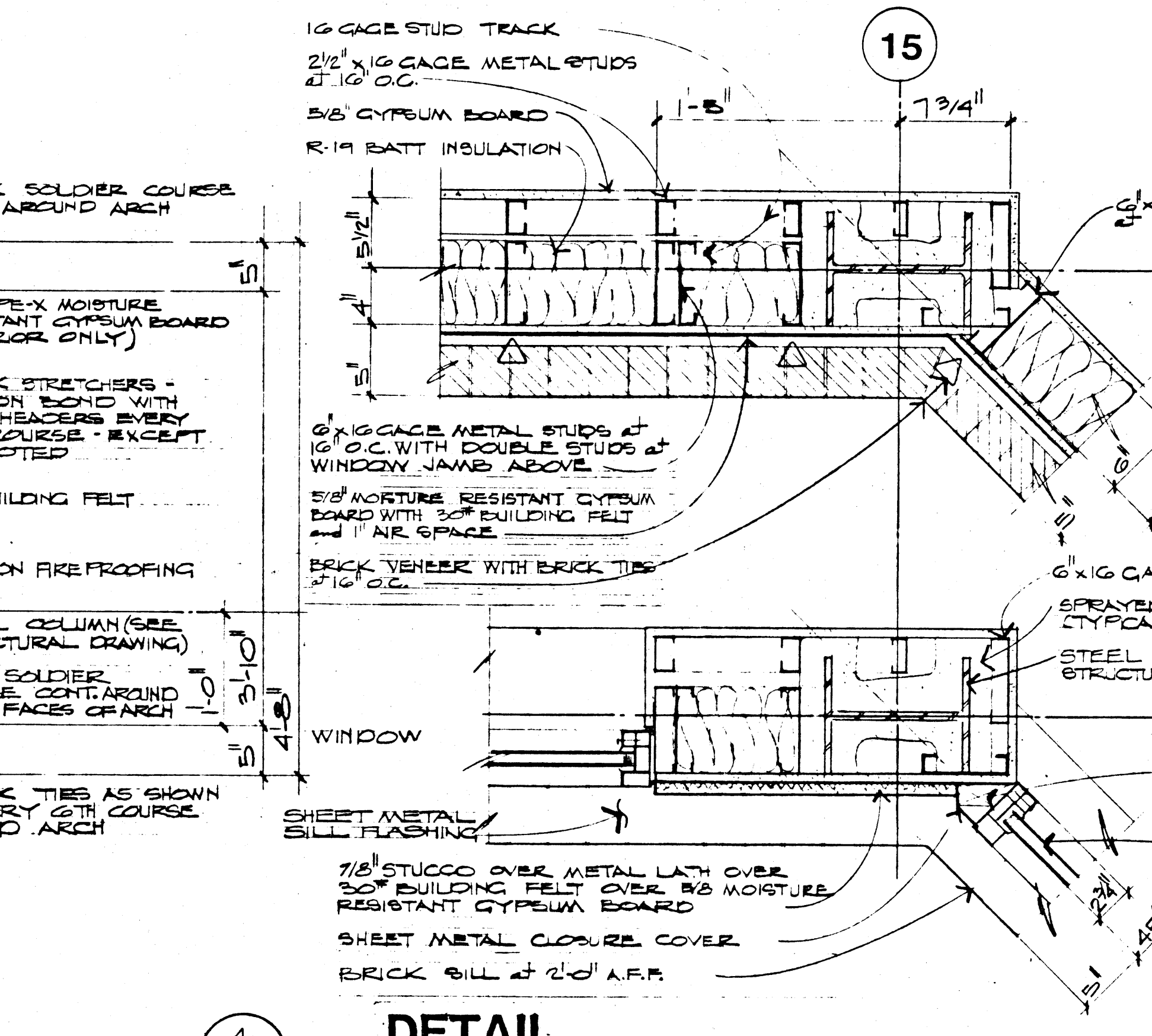
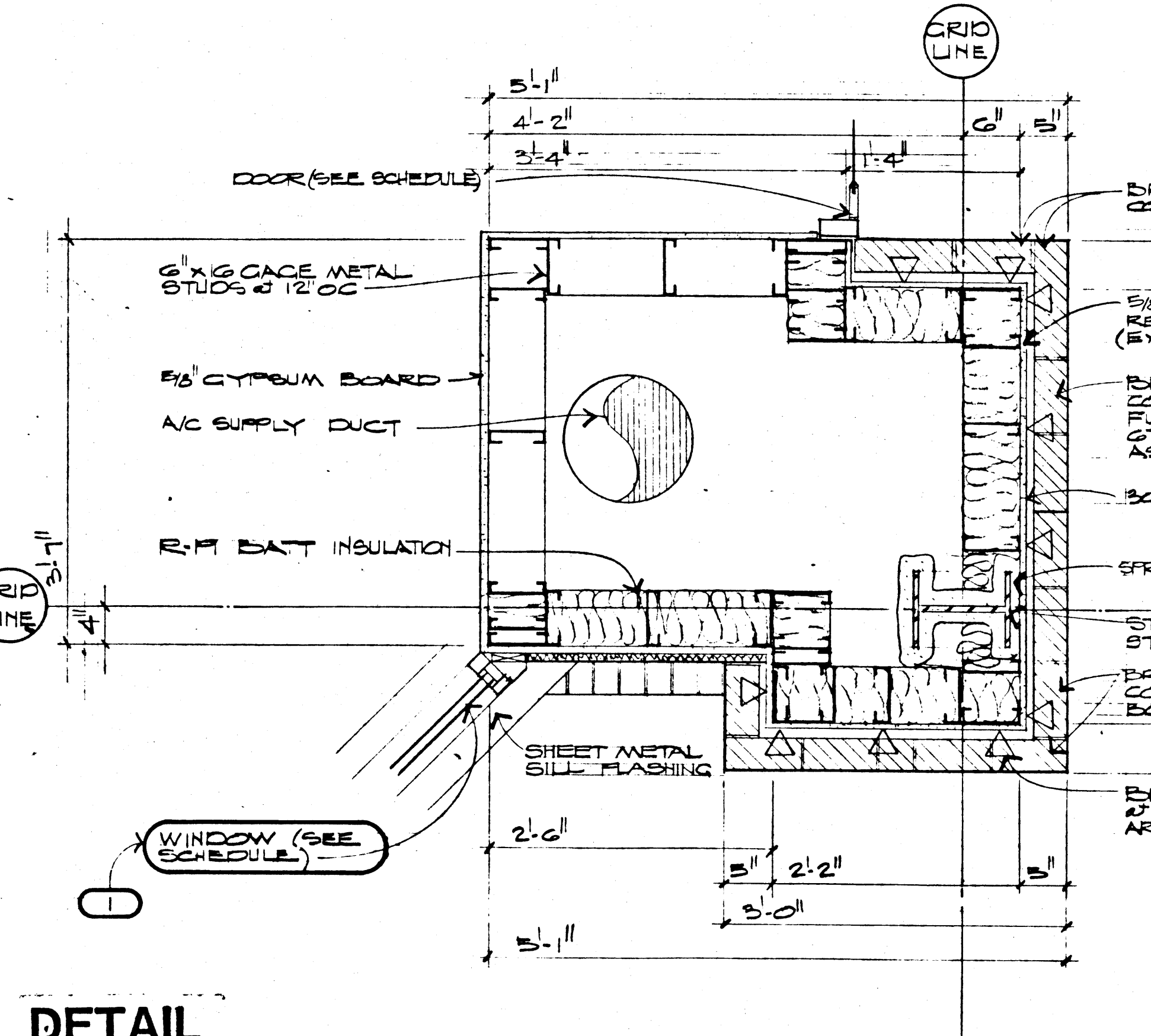
① DEDUCTIVE BID ITEM #1 (1)
 IN LIEU OF METAL WINDOW FRAMES AS SHOWN, SUBSTITUTE ALUMINUM WINDOW FRAMES.
 FOR DETAILED DESCRIPTION SEE SPECIFICATIONS.



DETAIL 1
 SCALE 1" = 1'-0"

DETAIL 2
 SCALE 1" = 1'-0"

DETAIL 3
 SCALE 1" = 1'-0"



DETAIL 10
 SCALE 1 1/2" = 1'-0"

DETAIL 11
 SCALE 1 1/2" = 1'-0"

DETAIL 12
 SCALE 1 1/2" = 1'-0"

DATE	BY	CHECKED	DATE

DOBUSKY KITRELL GARLOCK
 Architects
 1030 S. LAS VEGAS BLVD. SUITE 200
 LAS VEGAS, NEVADA 89102
 (702) 735-0455

Center
Downtown
 City of Las Vegas
 Transportation
 Las Vegas, Nevada

SHEET	A-27
OF	36 OF 65
FILE NUMBER	590.27