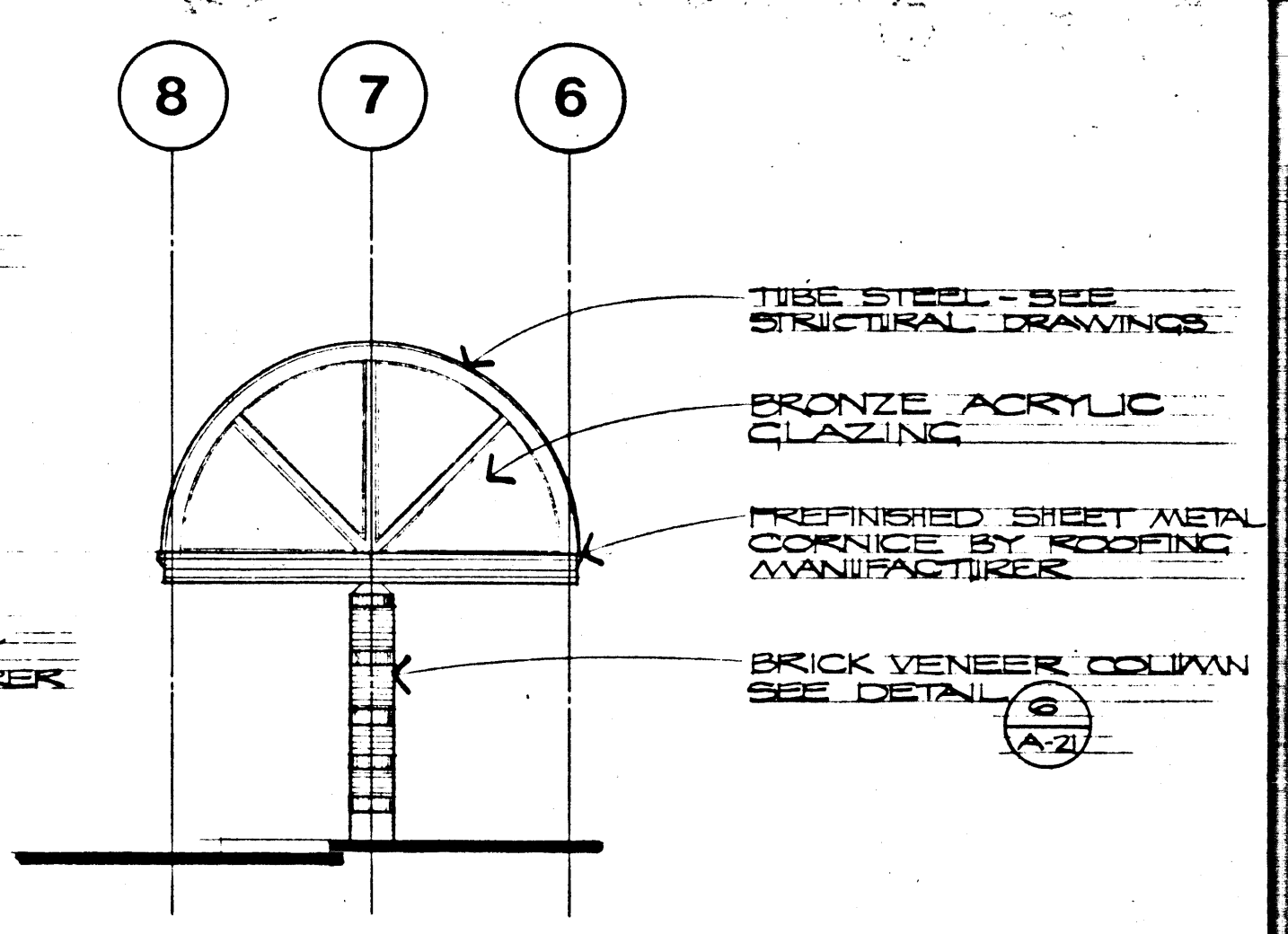
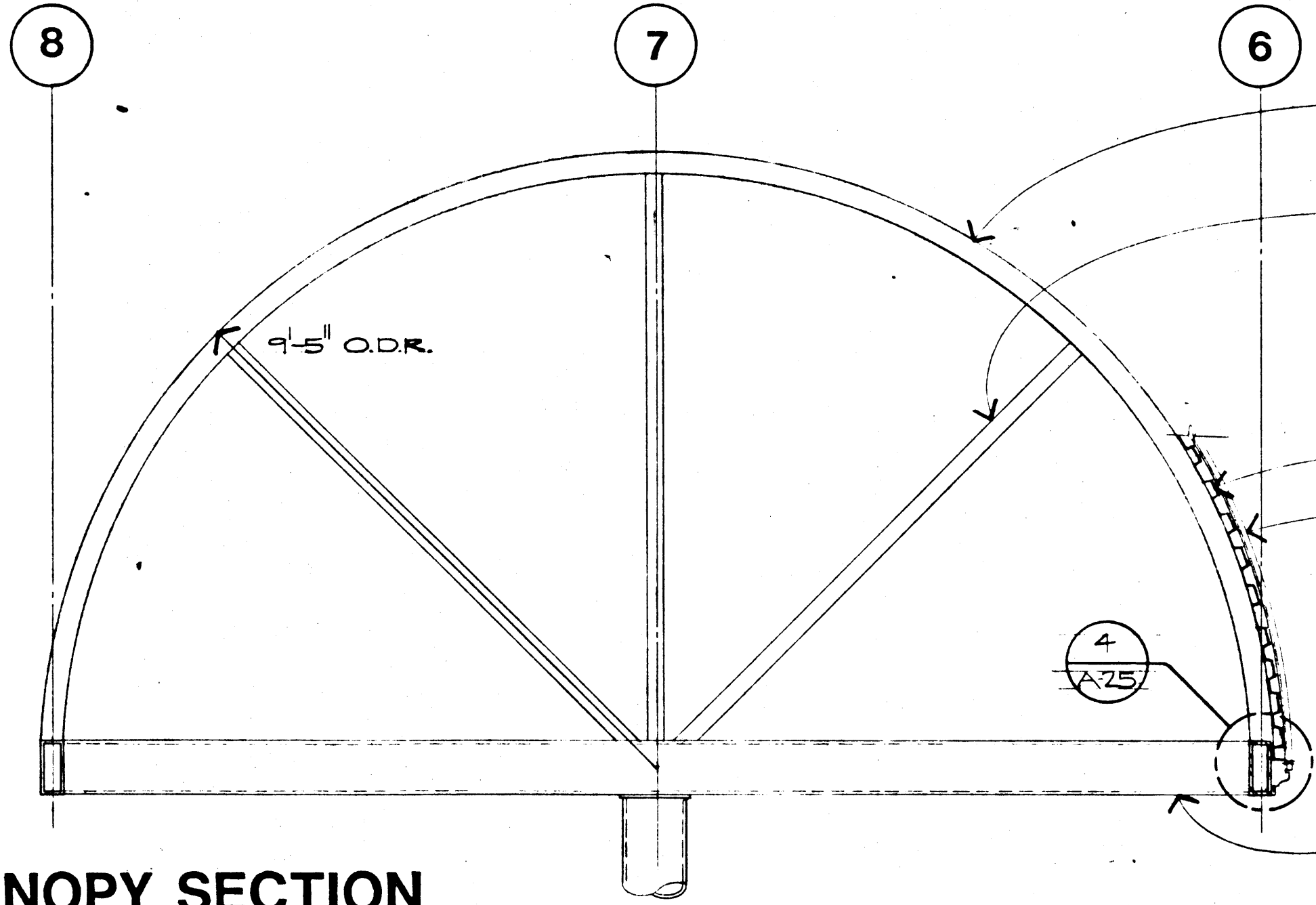


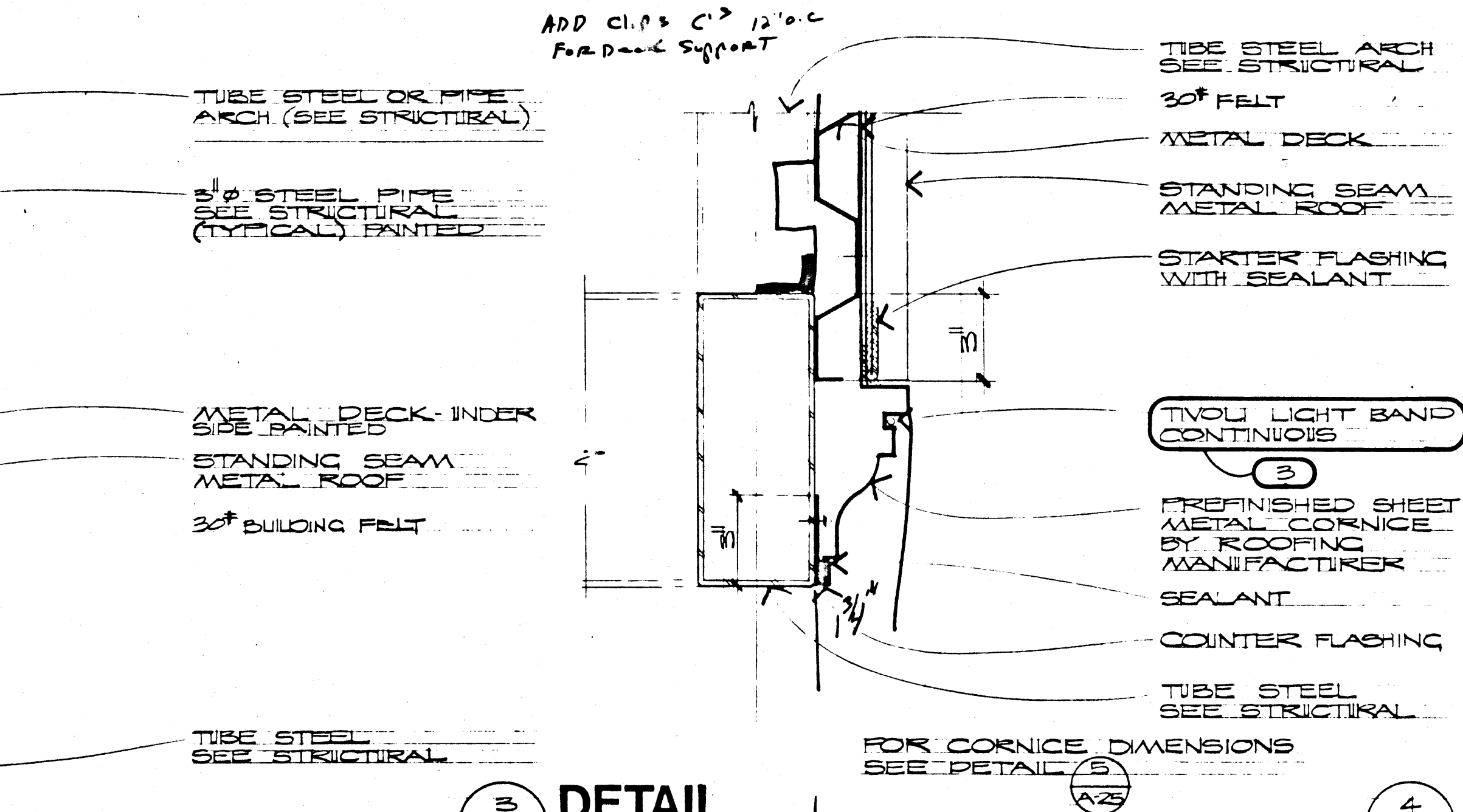
EAST CANOPY ELEVATION (SOUTH CANOPY SIMILAR)
SCALE: 1/8" = 1'-0"



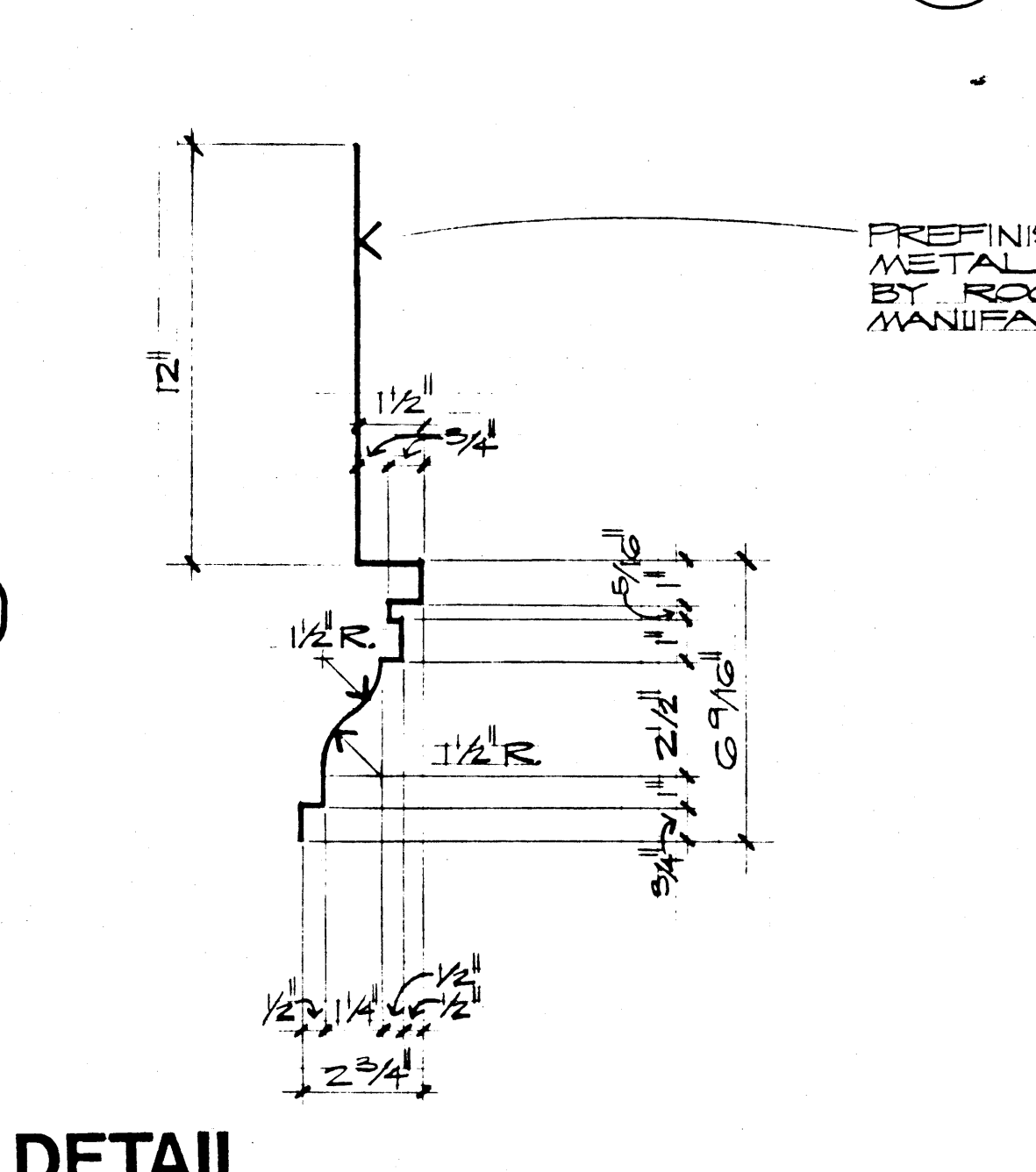
END ELEVATION
SCALE: 1/8" = 1'-0"



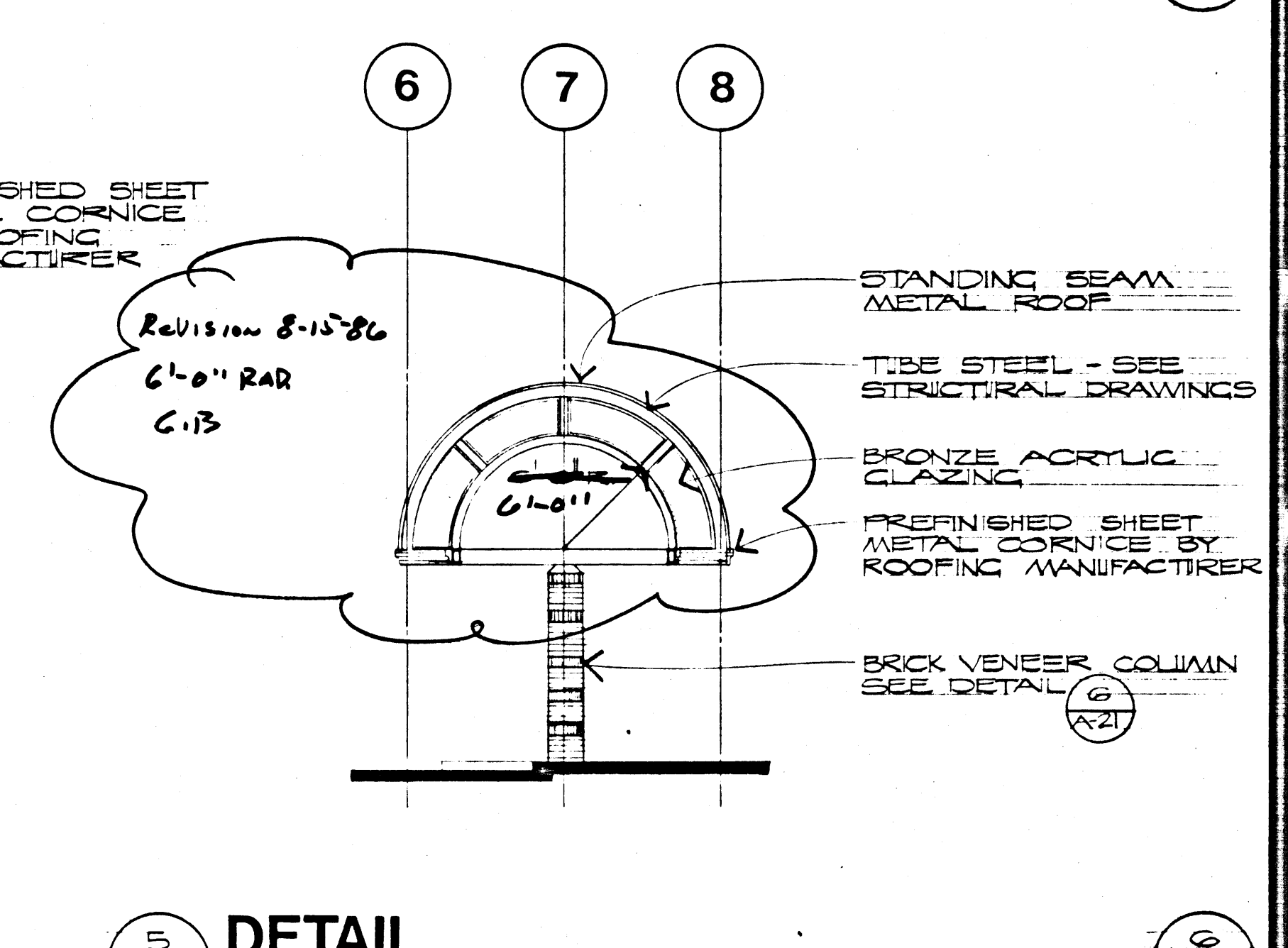
CANOPY SECTION
SCALE: 1/2" = 1'-0"



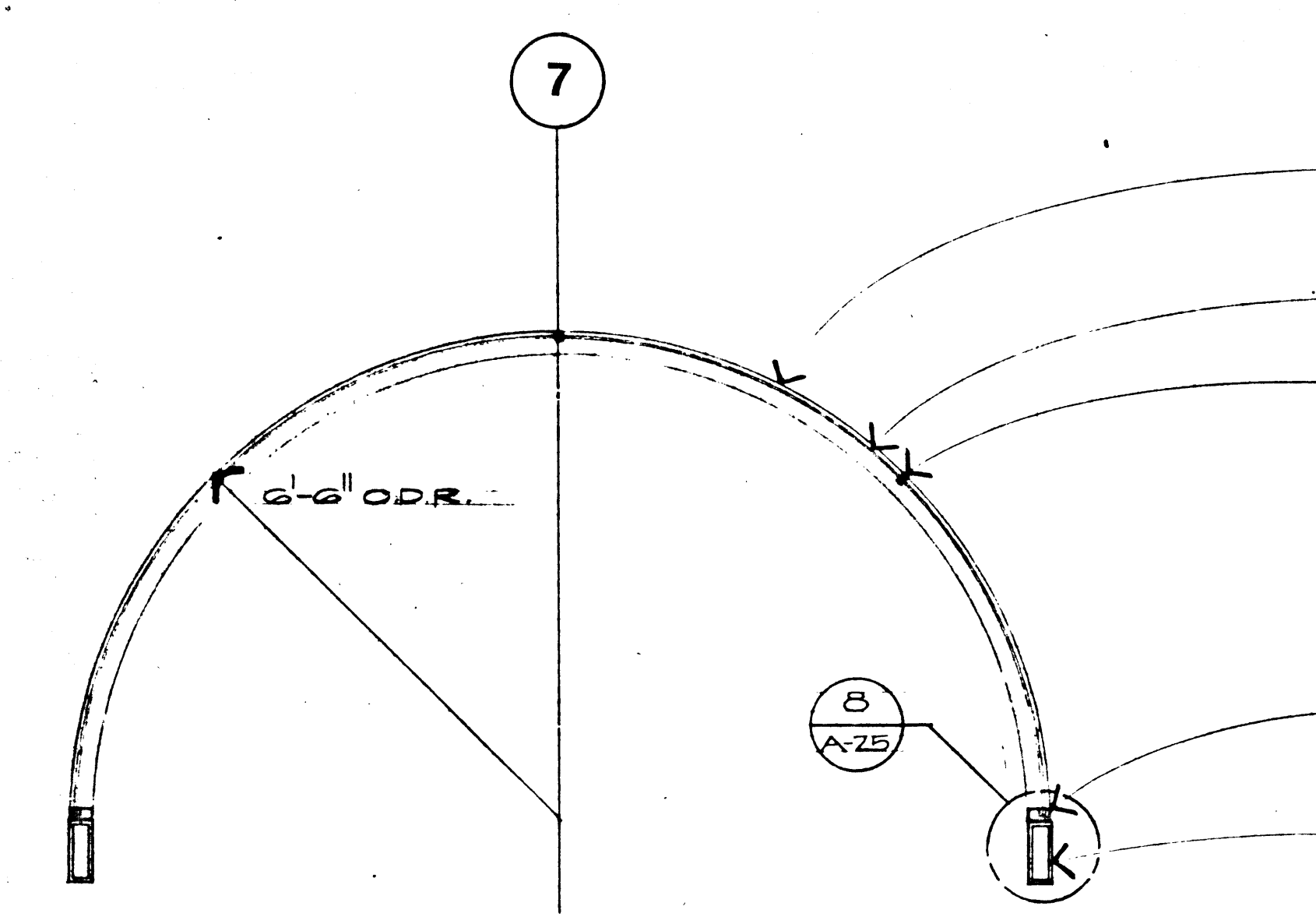
3 DETAIL
SCALE: 8" = 1'-0"



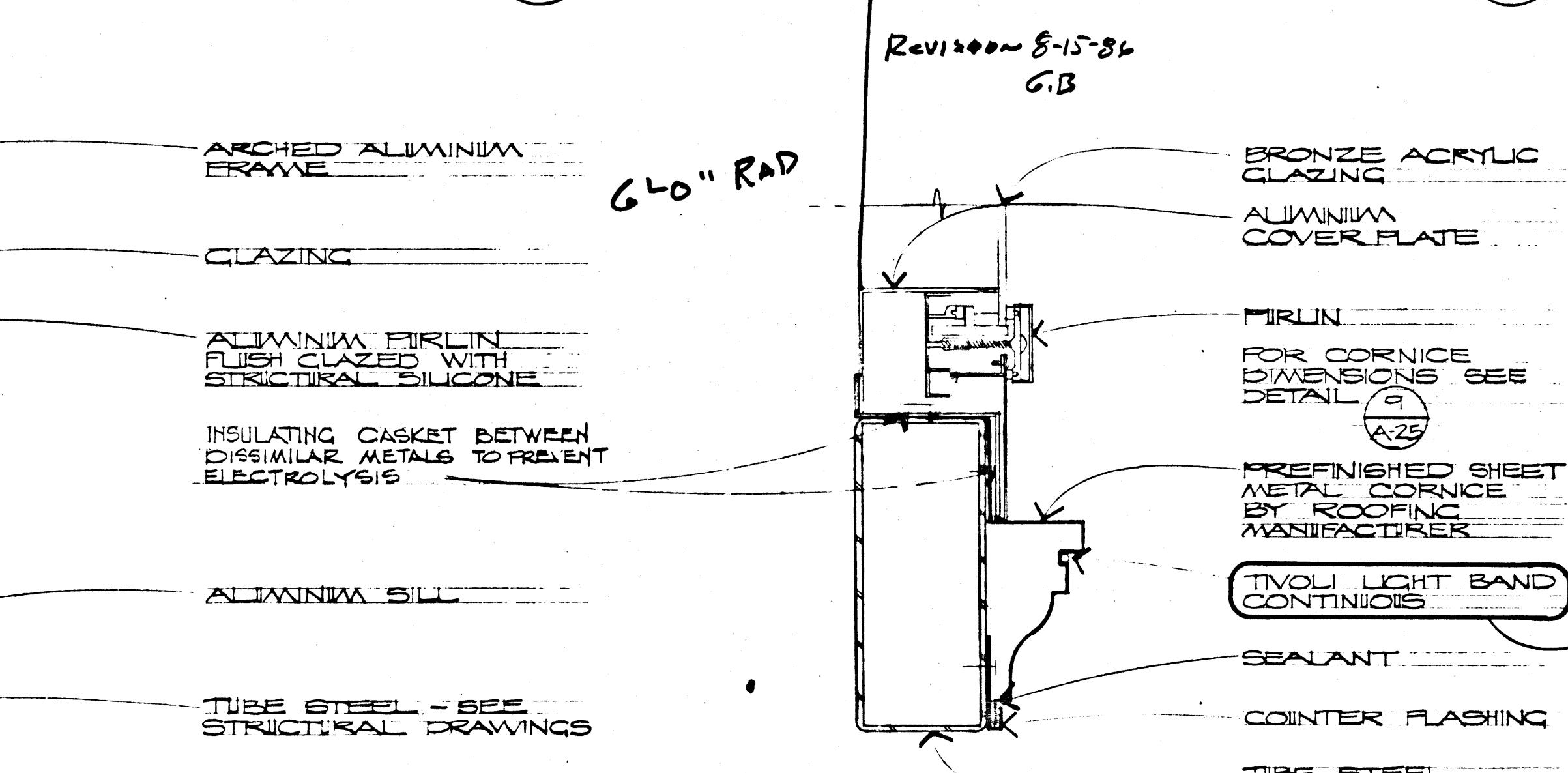
4 DETAIL
SCALE: 8" = 1'-0"



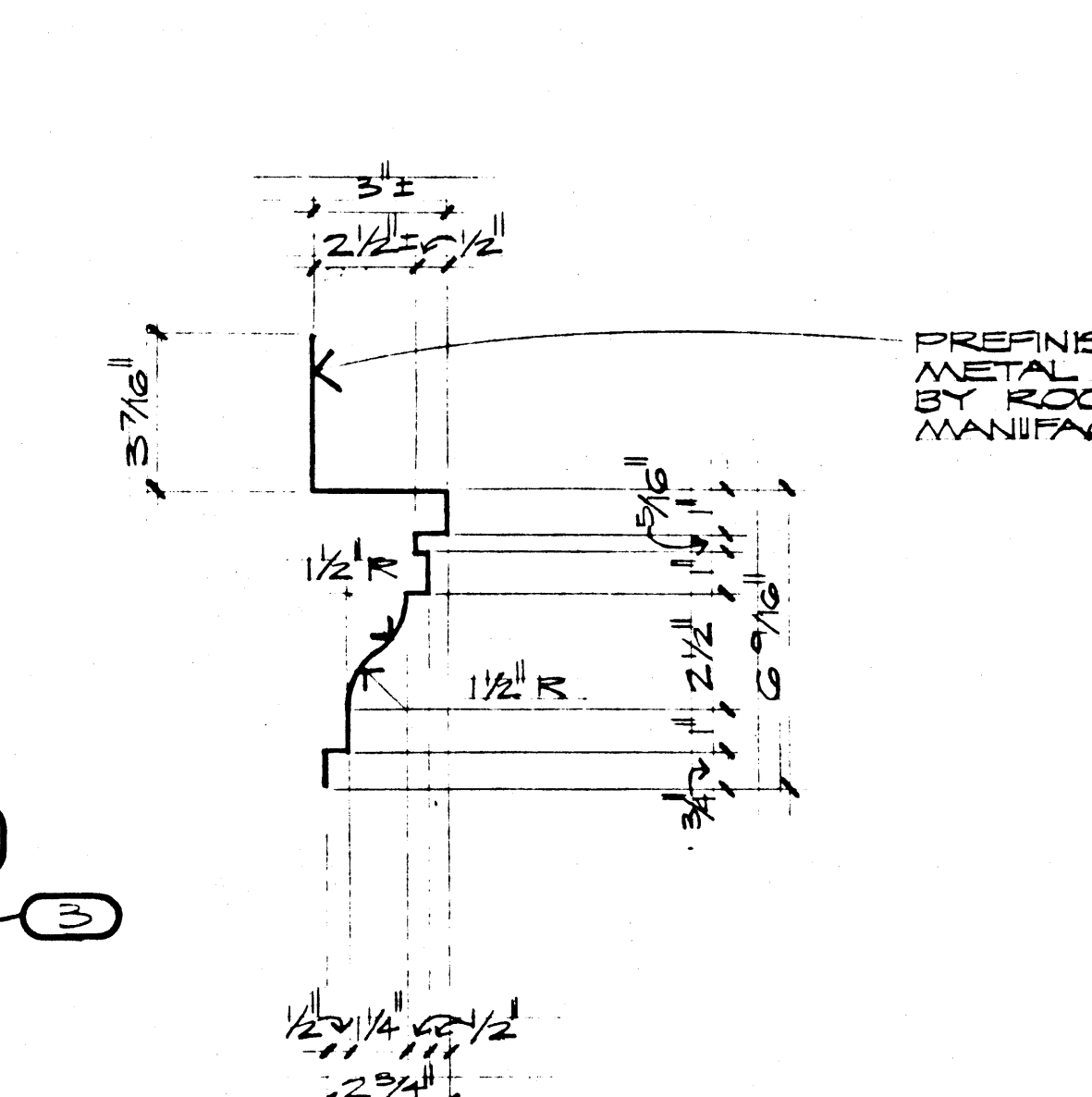
5 DETAIL
SCALE: 1/8" = 1'-0"



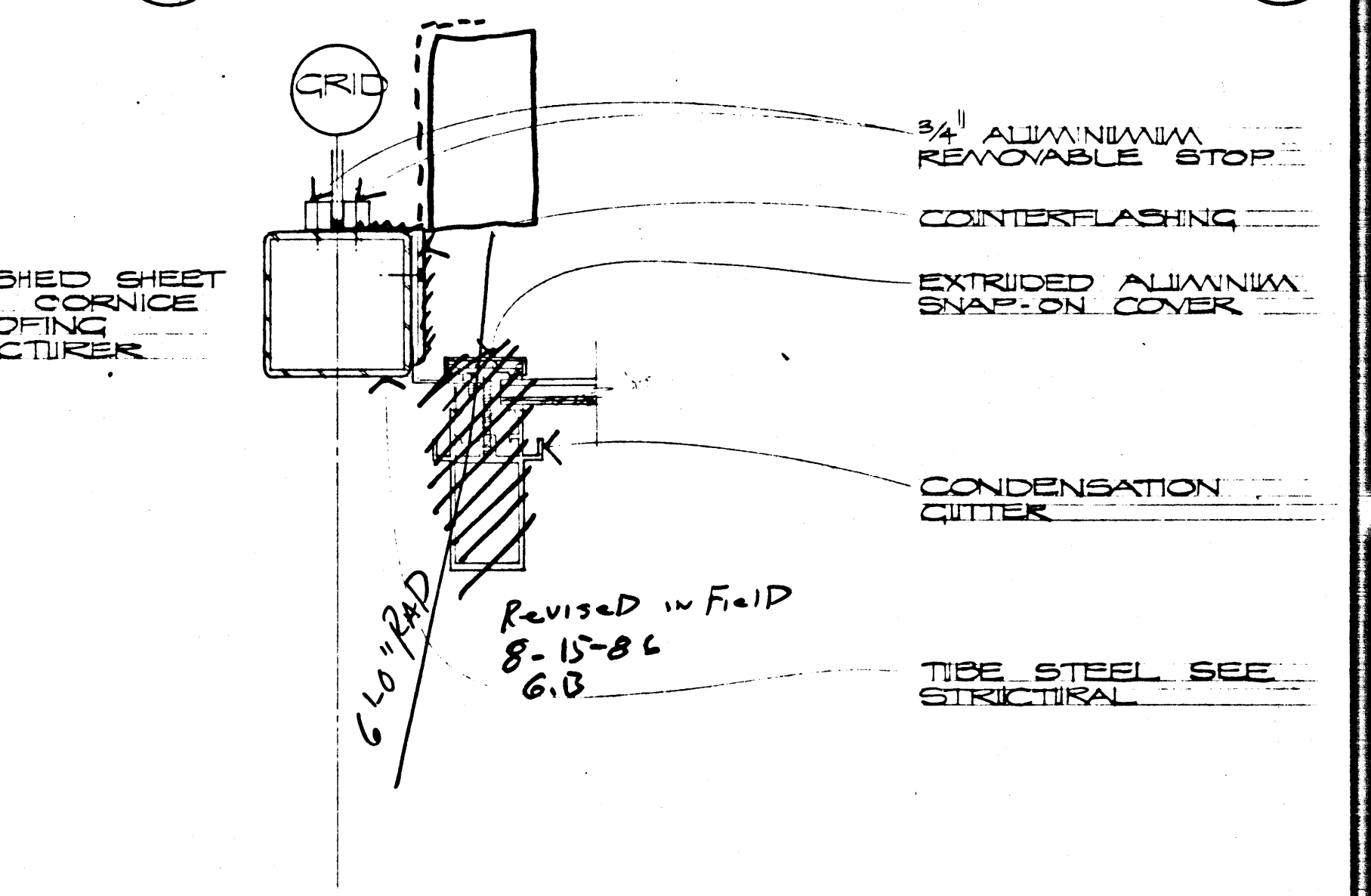
TRANSLUCENT CANOPY SECTION
SCALE: 1/2" = 1'-0"



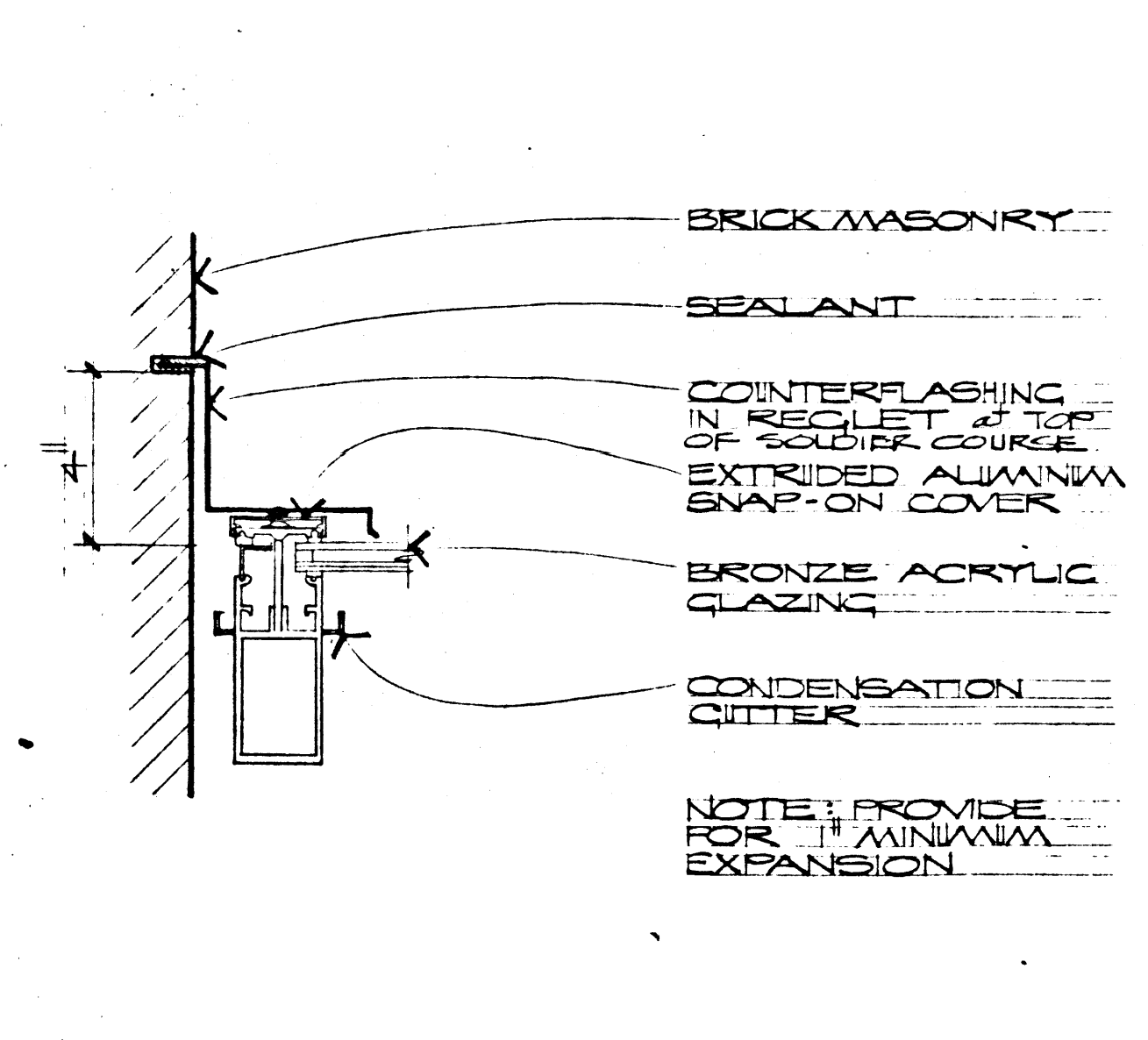
7 DETAIL
SCALE: 8" = 1'-0"



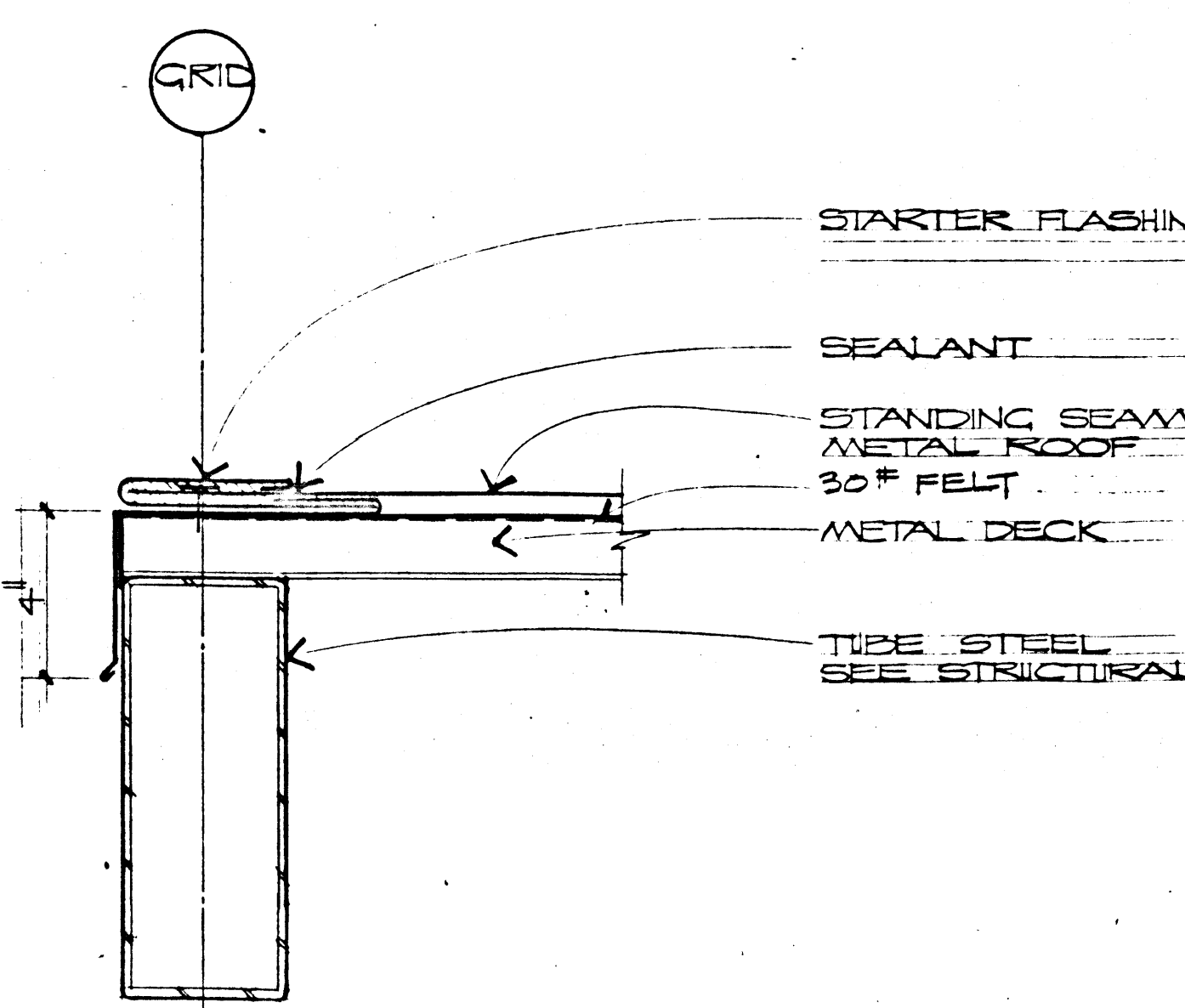
8 DETAIL
SCALE: 8" = 1'-0"



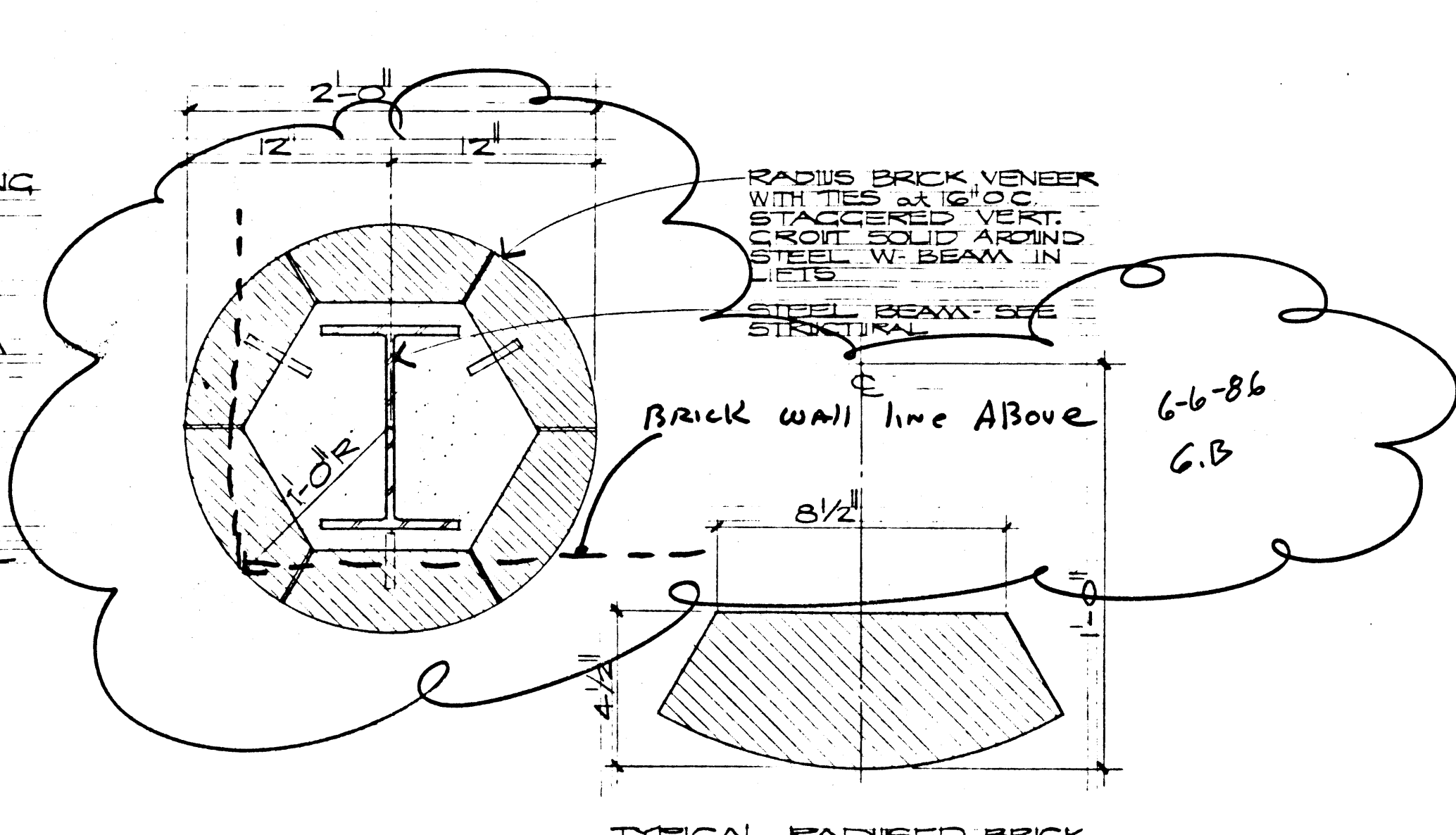
9 DETAIL
SCALE: 8" = 1'-0"



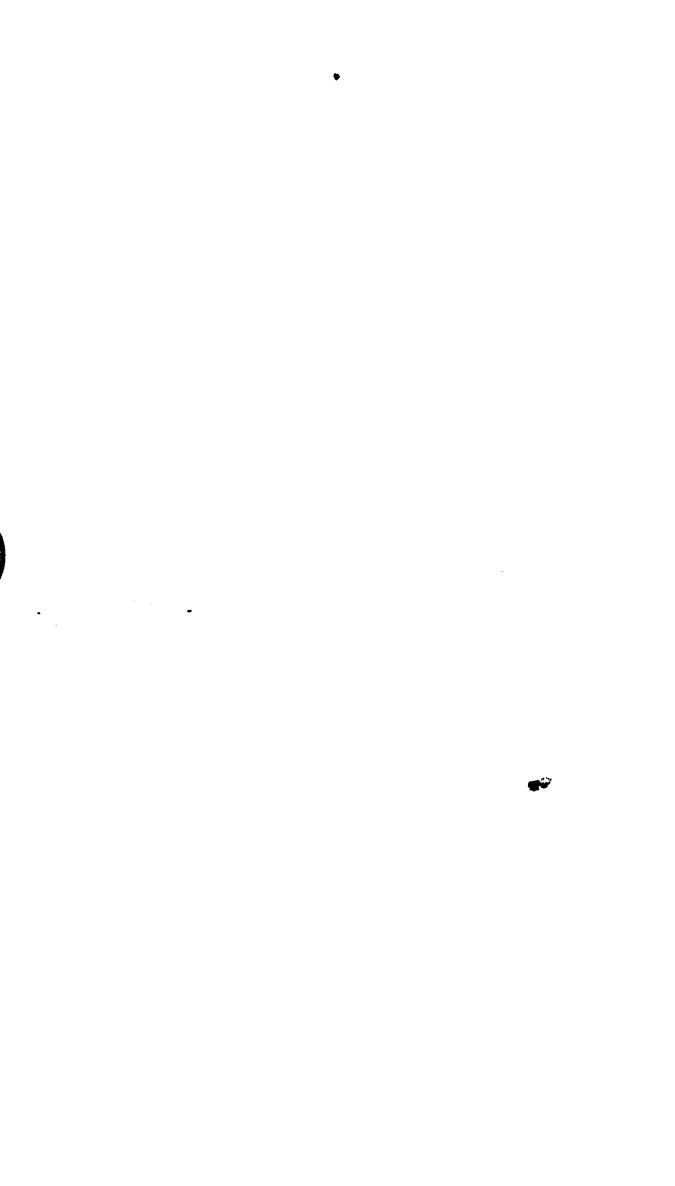
DETAIL
SCALE: 8" = 1'-0"



11 DETAIL
SCALE: 8" = 1'-0"



12 DETAIL
SCALE: 3/4" = 1'-0"



13 DETAIL
SCALE: 3/4" = 1'-0"

3 DEDUCTIVE BID ITEM #3 (I)
DELETE TIVOLI LIGHT FIXTURE
TYPE-YT SEE ELECTRICAL DRAWINGS

FOR DETAILED DESCRIPTION
SEE SPECIFICATIONS

DOBRUSKY KITTRELL GARLOCK
Architects
818
3000 CAMBRIDGE ST., LAS VEGAS, NEVADA 89169
(702) 733-0433

City of Las Vegas
Transportation
Center
Las Vegas, Nevada

SHEET
A-25
34 of 65
FILE NUMBER 890-21