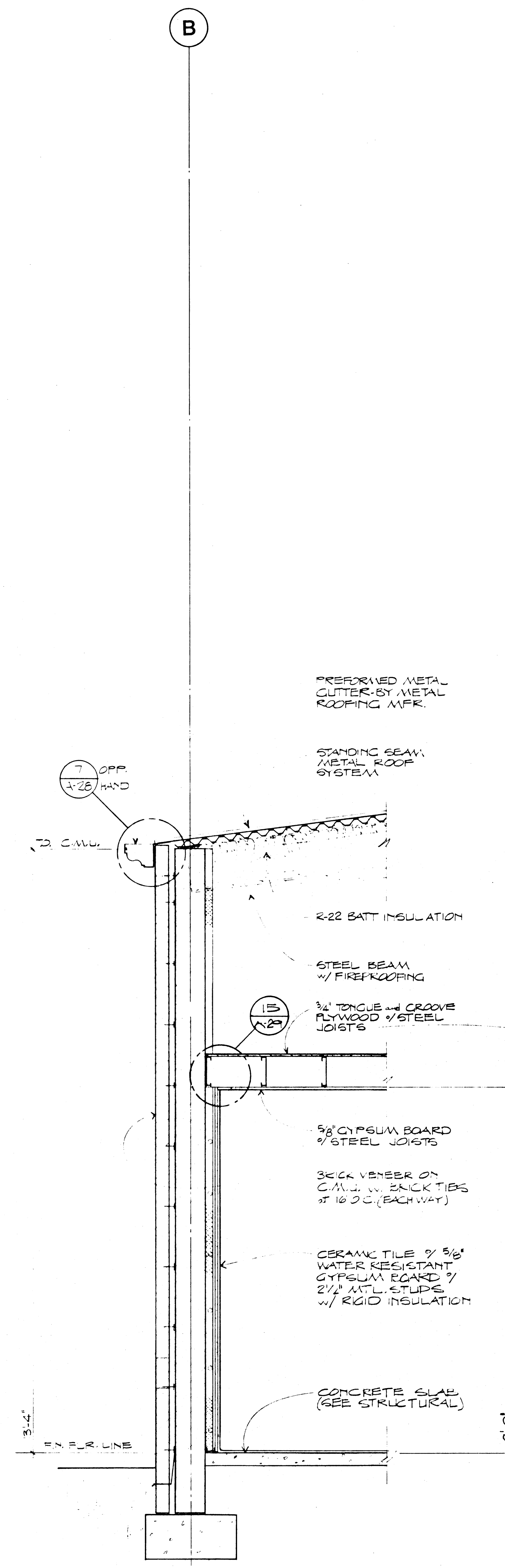
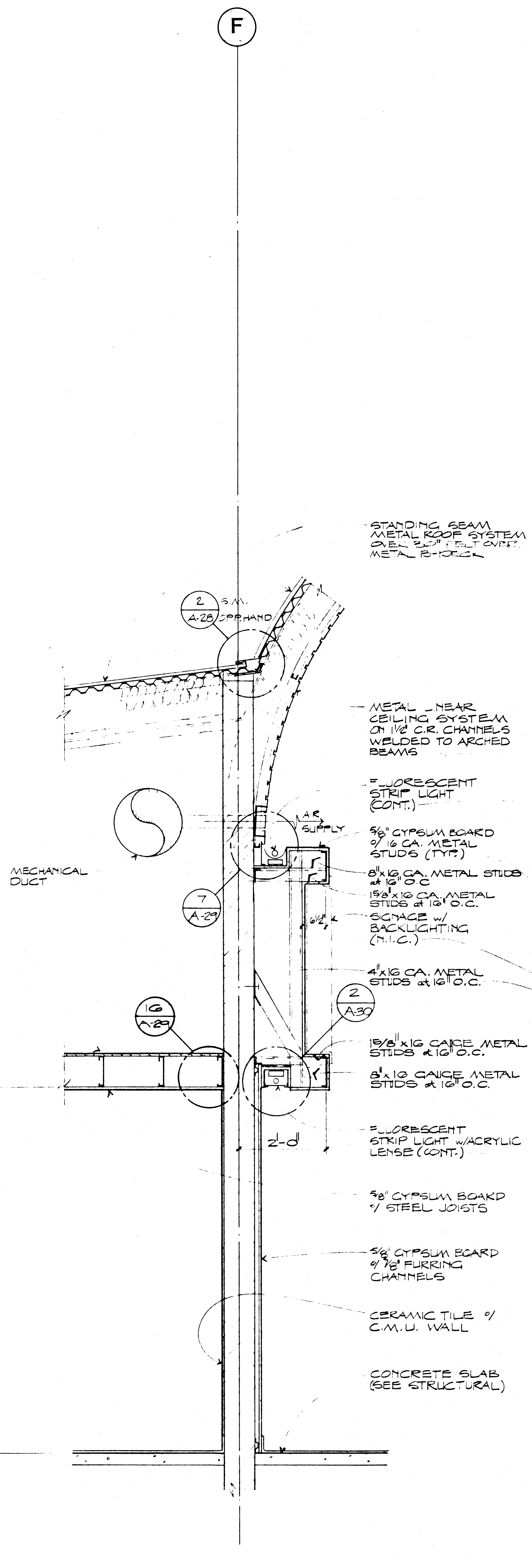


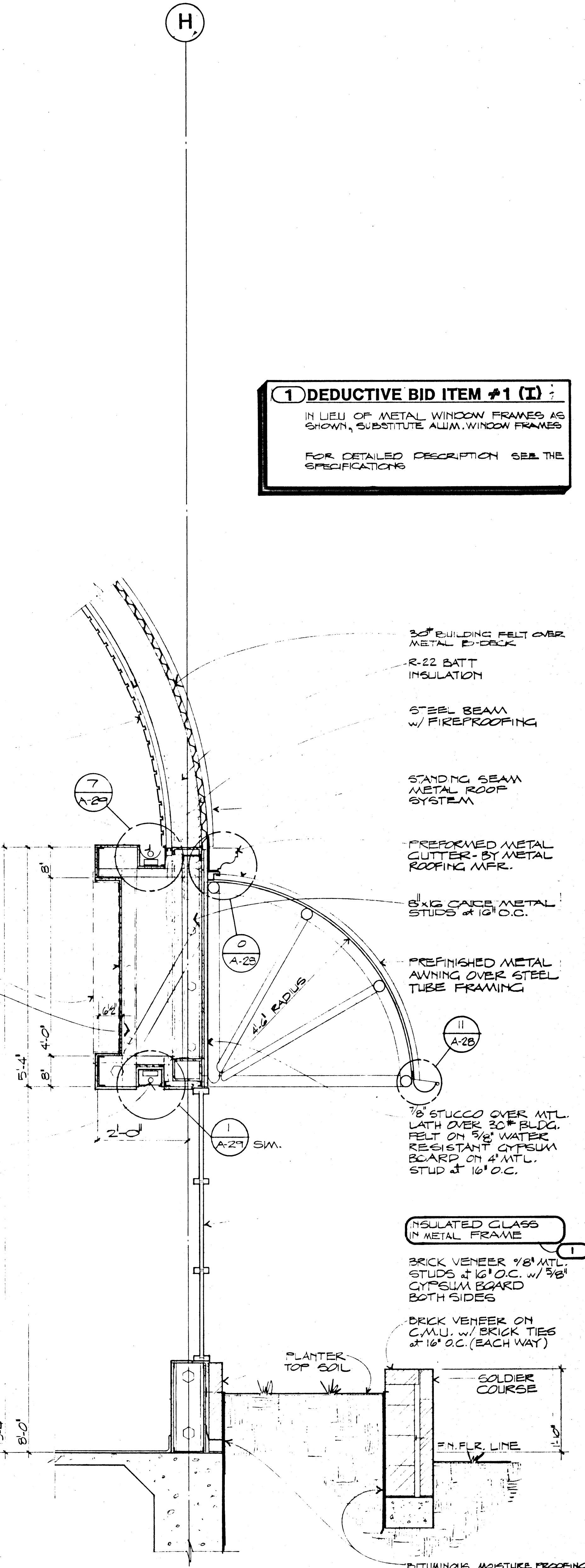
WALL SECTION
SCALE 3/16" 1'-0"
13
A-23



WALL SECTION
SCALE 3/16" 1'-0"
14
A-23



WALL SECTION
SCALE 3/16" 1'-0"
15
A-23



WALL SECTION
SCALE 3/16" 1'-0"
16
A-23

1 DEDUCTIVE BID ITEM #1 (I)
IN LIEU OF METAL WINDOW FRAMES AS SHOWN, SUBSTITUTE ALUM. WINDOW FRAMES
FOR DETAILED DESCRIPTION SEE THE SPECIFICATIONS

NOTE:
ALL METAL STUDS ARE TO BE 16 GAUGE UNLESS NOTED OTHERWISE

DOBRUSKY KITTRELL GARLOCK **Architects**
 318
 2000 CAMDEN BLVD., LAS VEGAS, NEVADA 89102
 (702) 735-0448
 City of Las Vegas
 Downtown Transformation
 Las Vegas, Nevada
 SHEET
A-23
 OF 32 21 65
 FILE NUMBER 590-21