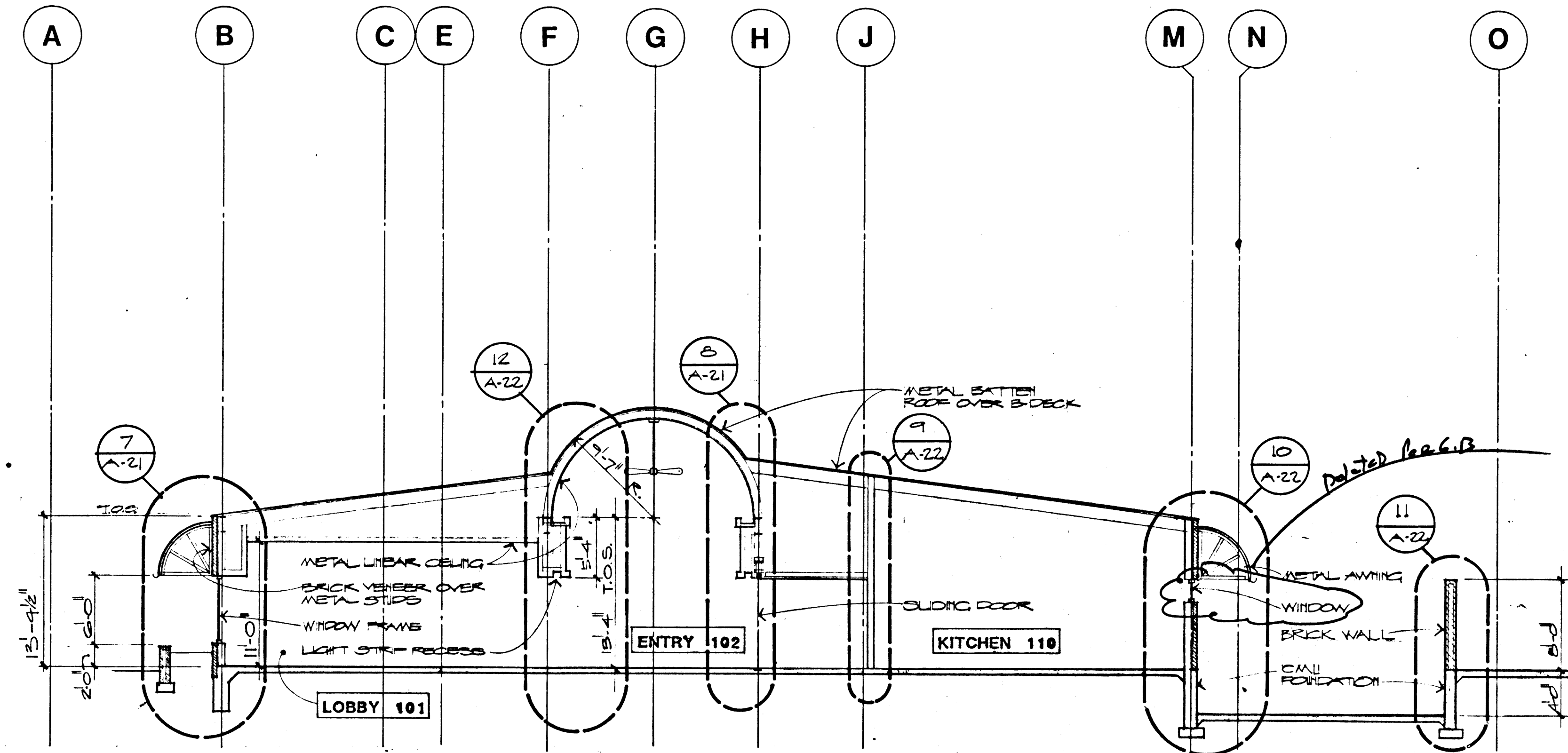
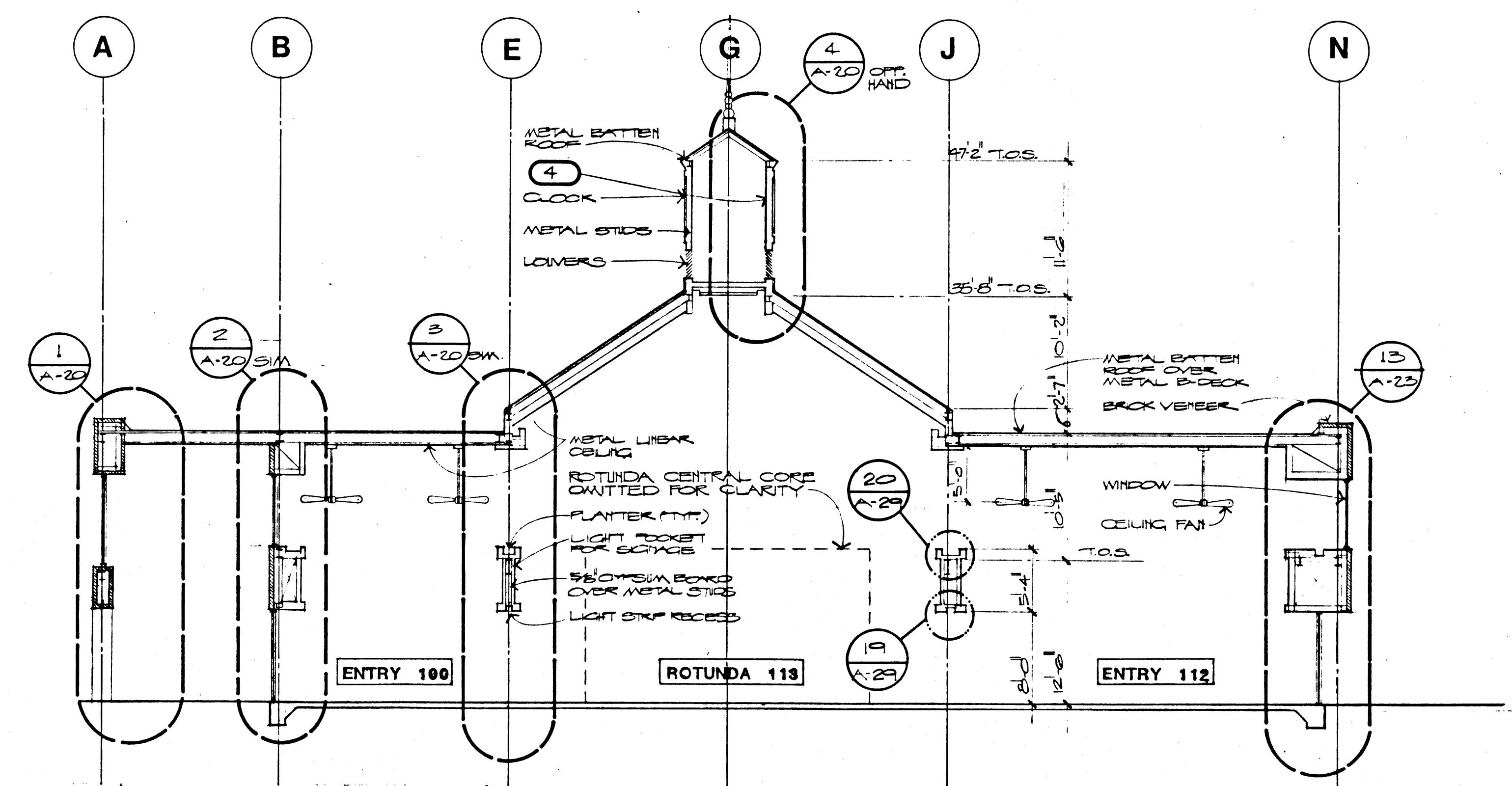


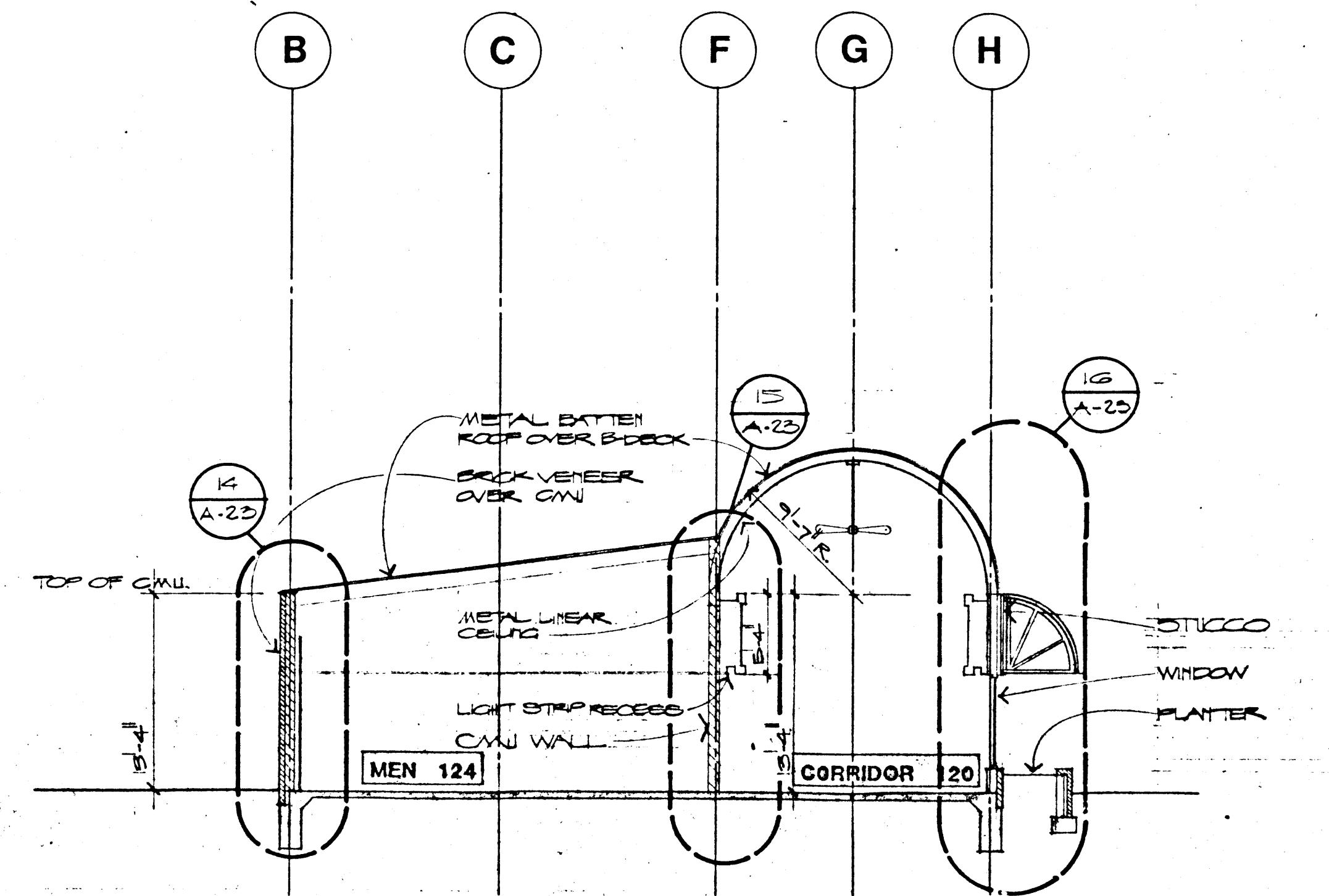
BUILDING SECTION
SCALE: 1/8"=1'-0"



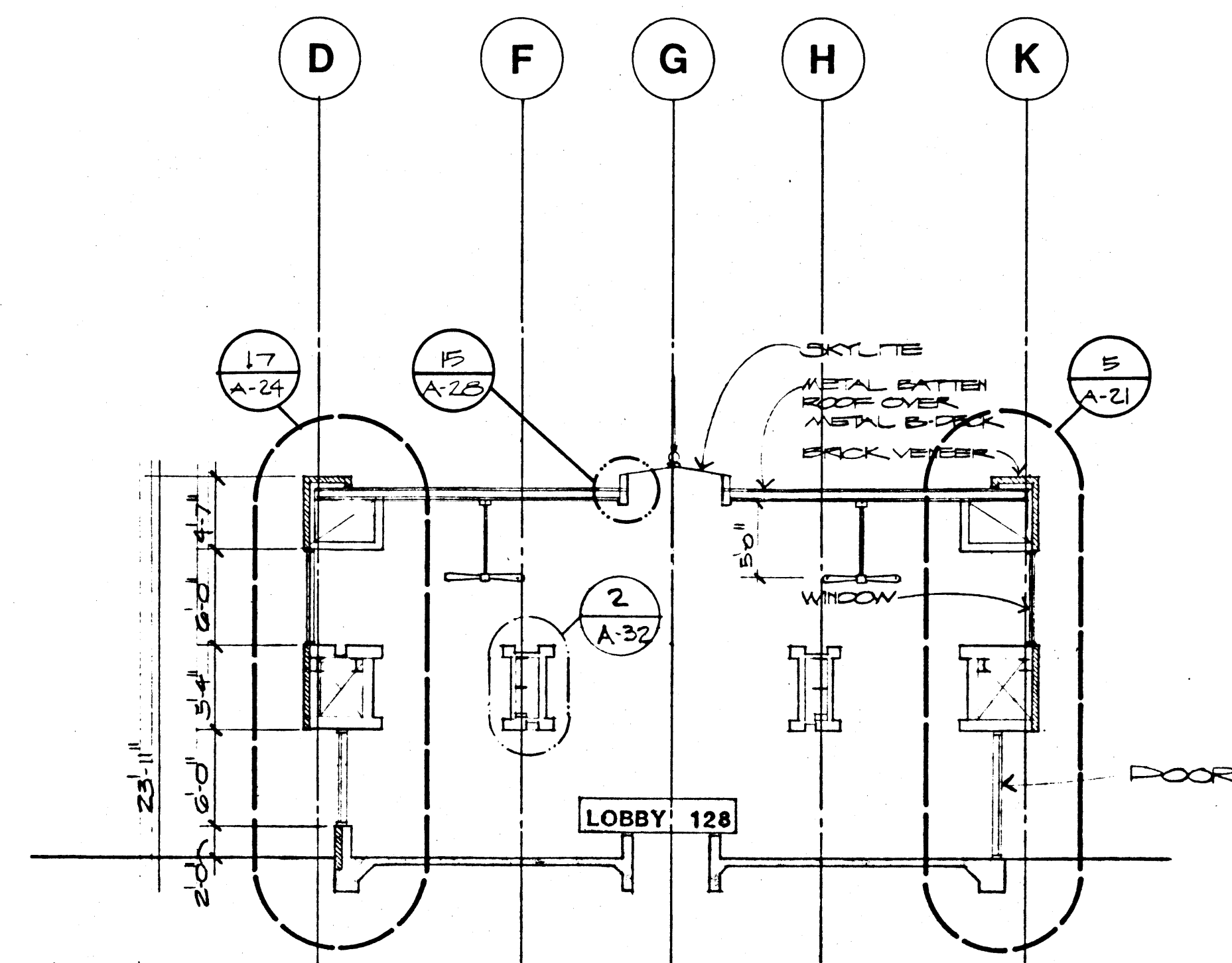
BUILDING SECTION
SCALE: 1/8"=1'-0"



BUILDING SECTION
SCALE: 1/8"=1'-0"



BUILDING SECTION
SCALE: 1/8"=1'-0"



BUILDING SECTION
SCALE: 1/8"=1'-0"

(4) DEDUCTIVE BID ITEM #4 (I)
DELETE THE (A)CLOSURES SHOWN ON DRAWINGS, AND ADD METAL FRAMING AND STUCCO WORK TO FILL VOIDS FOR DETAILED DESCRIPTION SEE SPECIFICATIONS

SHEET NO. 20
 DATE: 12/15/11
 DRAWN: JSE/LS
 CHECKED: JCE/C
 FILE NO.: 2012-0015

DOBROUSKY KITTRELL GARLOCK 418
Architects
 888 CANNONBOLT ST., LAS VEGAS, NEVADA 89108 (702) 798-0438

City of Las Vegas
Transportation Center
 Downtown Las Vegas, Nevada

SHEET
A-19
 28/26
 FILE NUMBER
 2012-0015