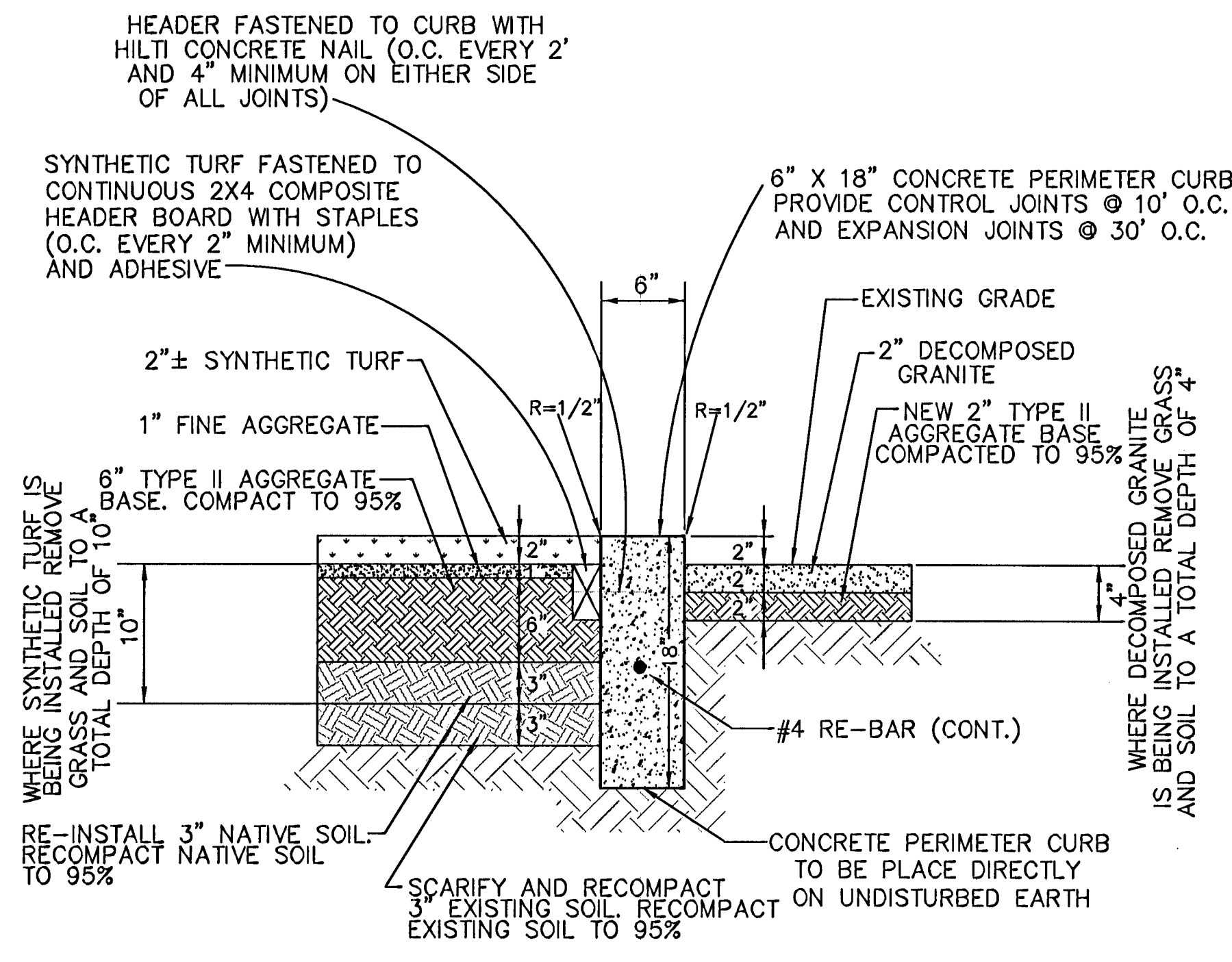
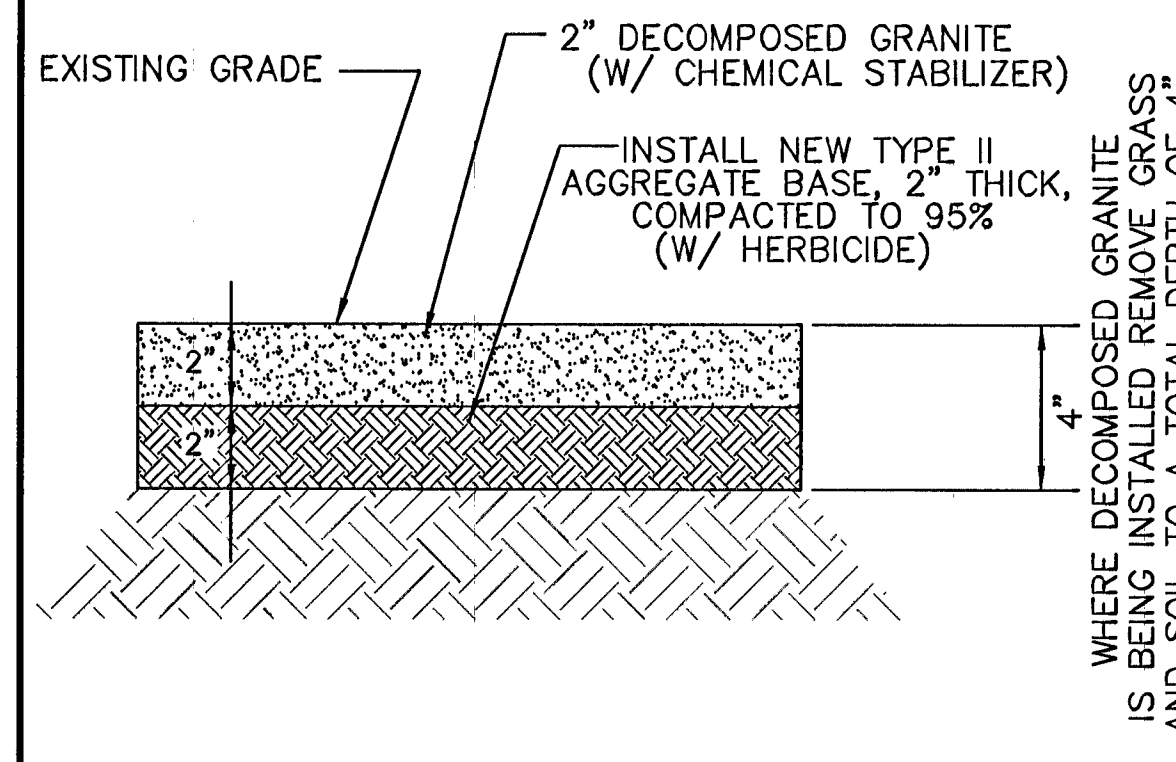


3/12/13 F:\DEPOT\CITY_ENGINEERING\DESIGN\DESIGN\ALL AMERICAN PARK_45161\DWG\1 DESIGN DESIGN ALL AMERICAN PARK1002.DWG

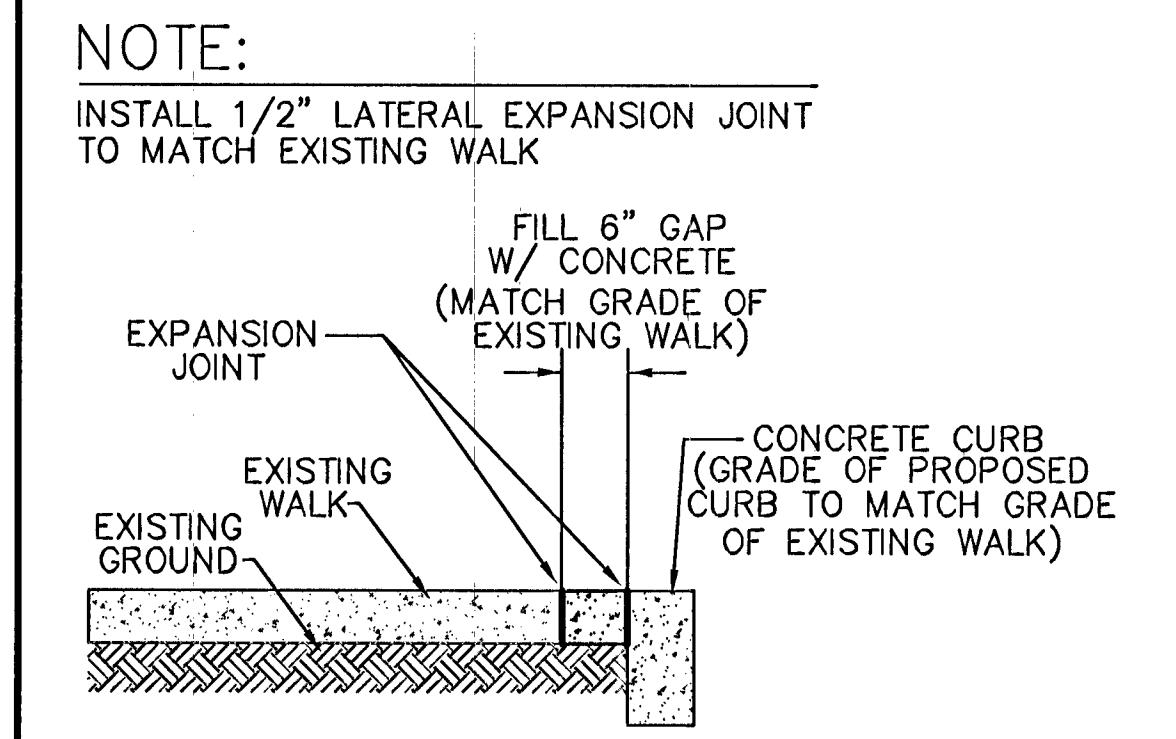
NOTE:
 INSTALL 1/2" EXPANSION JOINT AT ALL COLD JOINTS, AT ALL TRANSITIONS, AT ALL ANGLE POINTS AND AT 30' MAX.



DETAIL 'A' - SYNTHETIC TURF AND CONCRETE PERIMETER CURB
 NOT TO SCALE

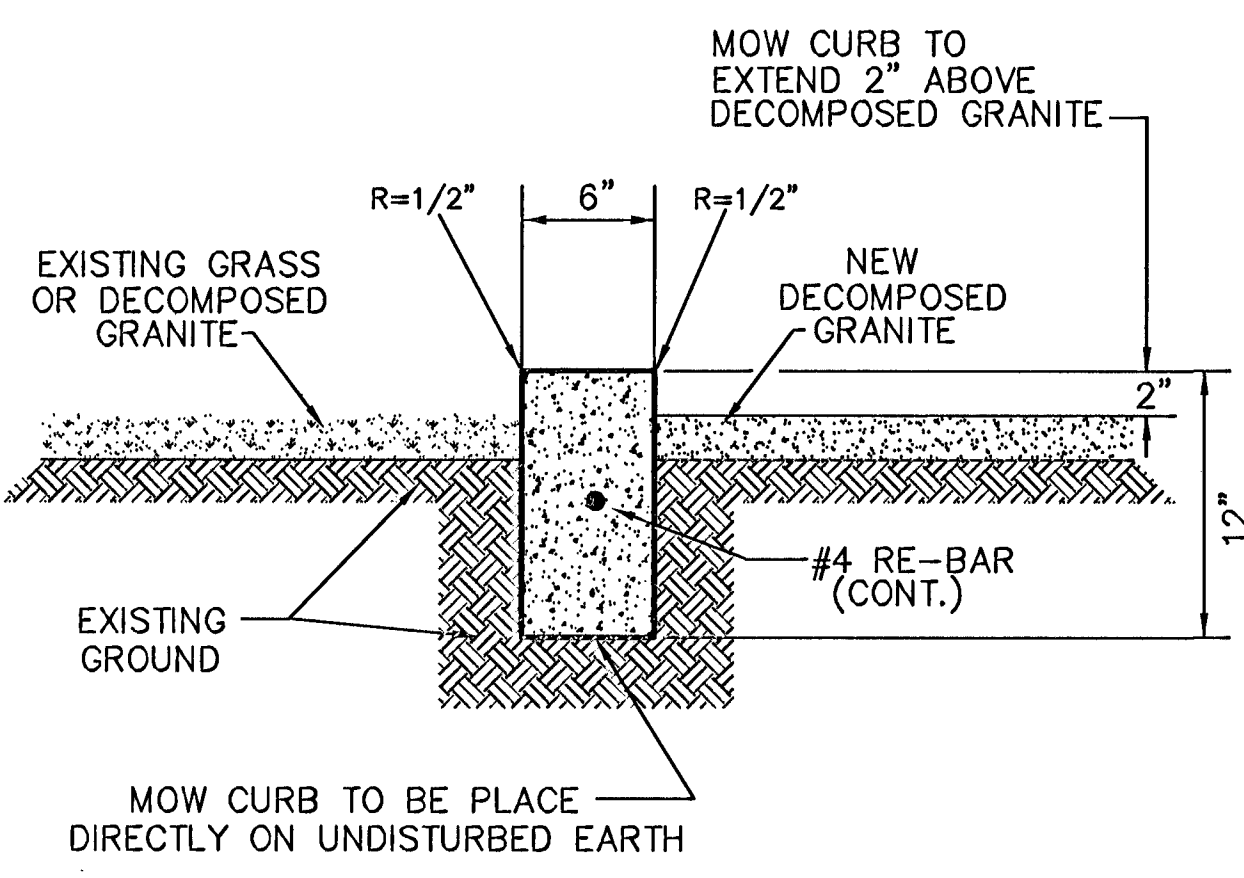


DETAIL 'B' - DECOMPOSED GRANITE
 NOT TO SCALE

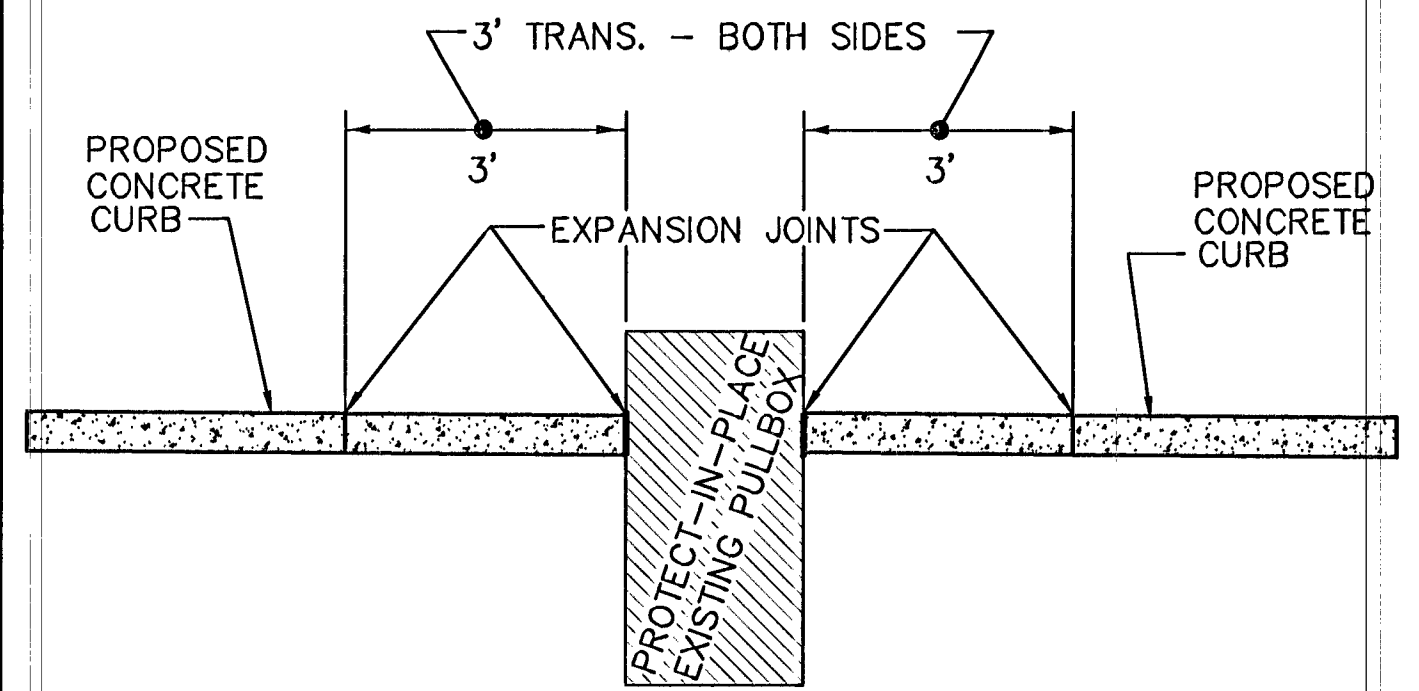


DETAIL 'C' - CONCRETE GAP FILL
 NOT TO SCALE

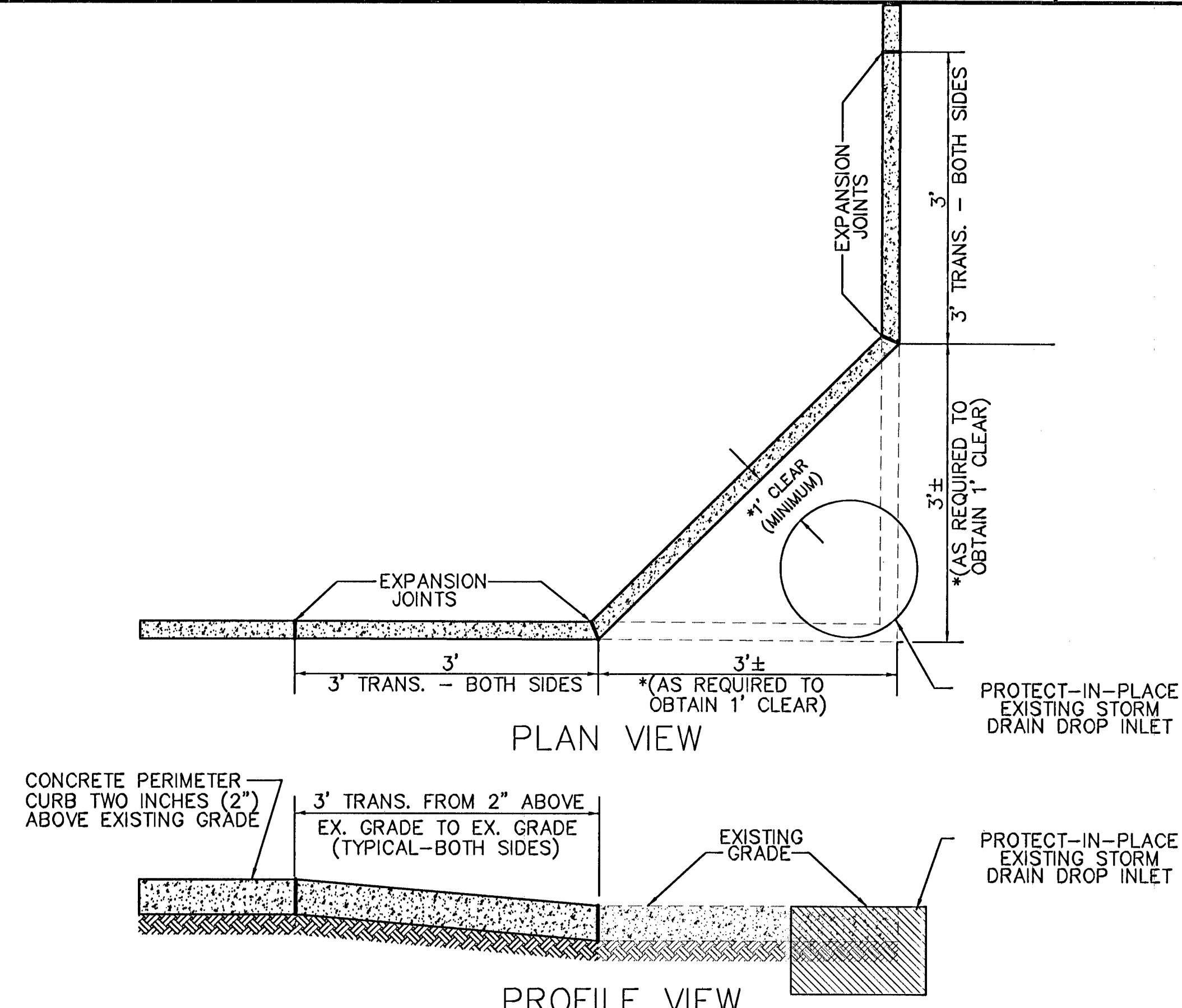
NOTE:
 INSTALL 1/2" EXPANSION JOINT AT ALL COLD JOINTS, AT ALL TRANSITIONS, AT ALL ANGLE POINTS AND AT 30' MAX.



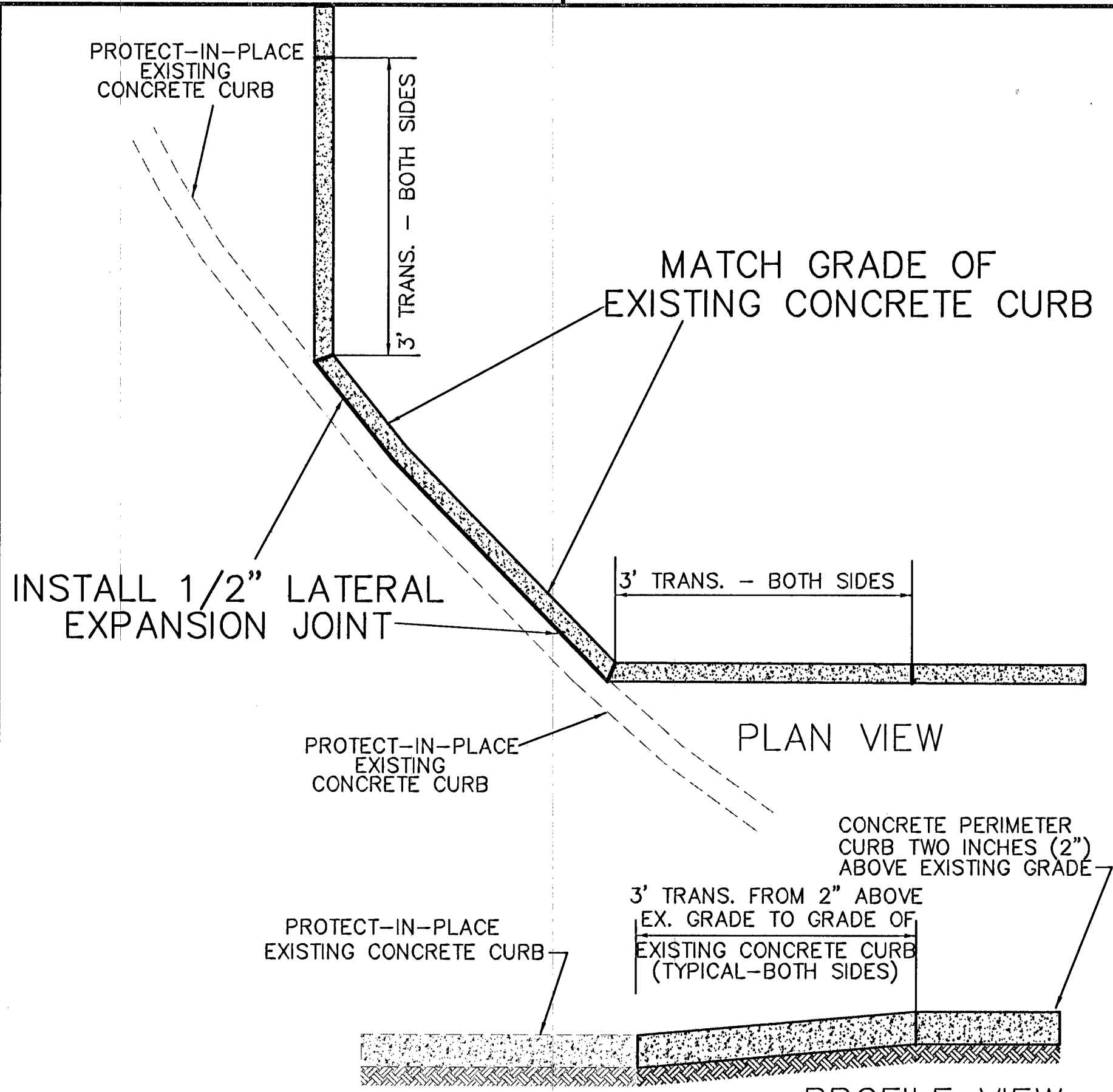
DETAIL 'D' - CONCRETE MOW CURB
 NOT TO SCALE



DETAIL 'E' - PULLBOX IN CURB LINE
 NOT TO SCALE

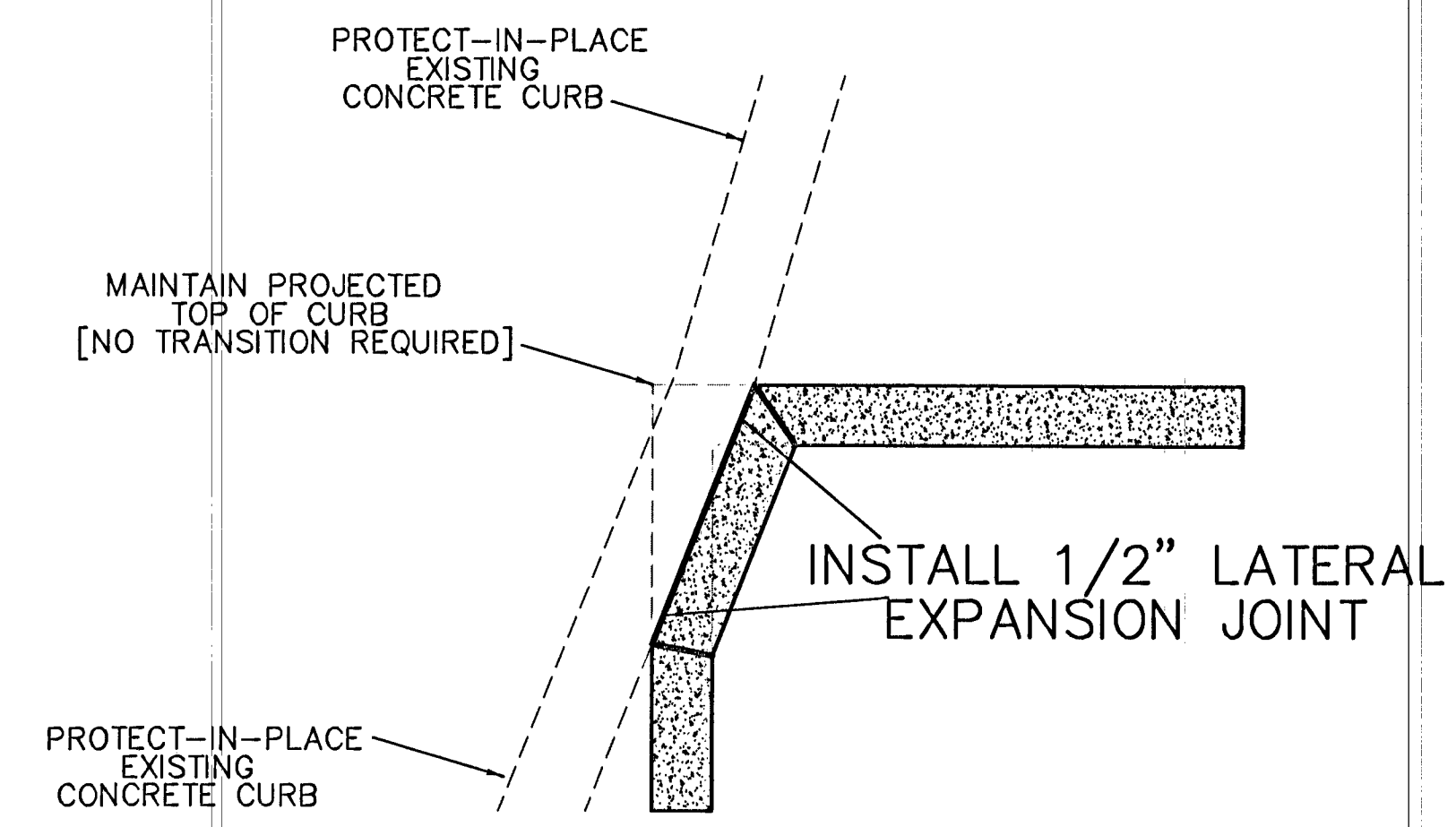


DETAIL 'F' - DROP INLET IN CURB LINE
 NOT TO SCALE



DETAIL 'G' - CURB DRAIN
 NOT TO SCALE

NOTE:
 CONCRETE PERIMETER CURB TO MAINTAIN 2" ABOVE EXISTING GRADE. NO DIP REQUIRED.



DETAIL 'H' - CURB FILLET
 NOT TO SCALE

NO.	DATE	REVISIONS

PREPARED BY: CITY OF LAS VEGAS
 DESIGNED BY: GJJ
 DRAWN BY: GJJ
 CHECKED BY: RMM
 DATE: MARCH 2013
 SUBMITTAL STAGE: 100% - FINAL

TITLE	ALL AMERICAN PARK IMPROVEMENTS
SHEET	DETAIL SHEET
PROF. SEAL	
SHEET	DET
DRAWING NO.	15 of 24
DRAWING NO.	650.62-1