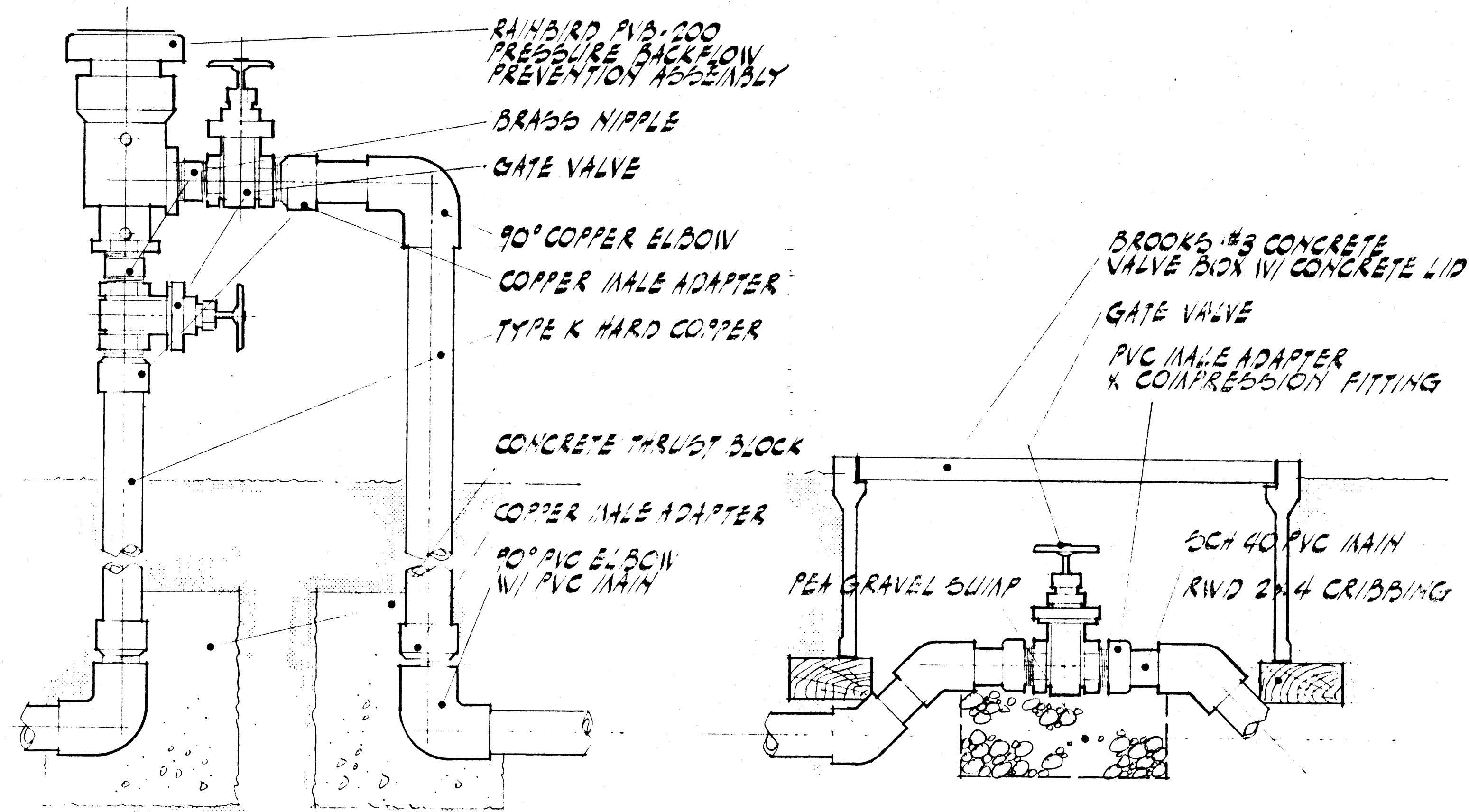
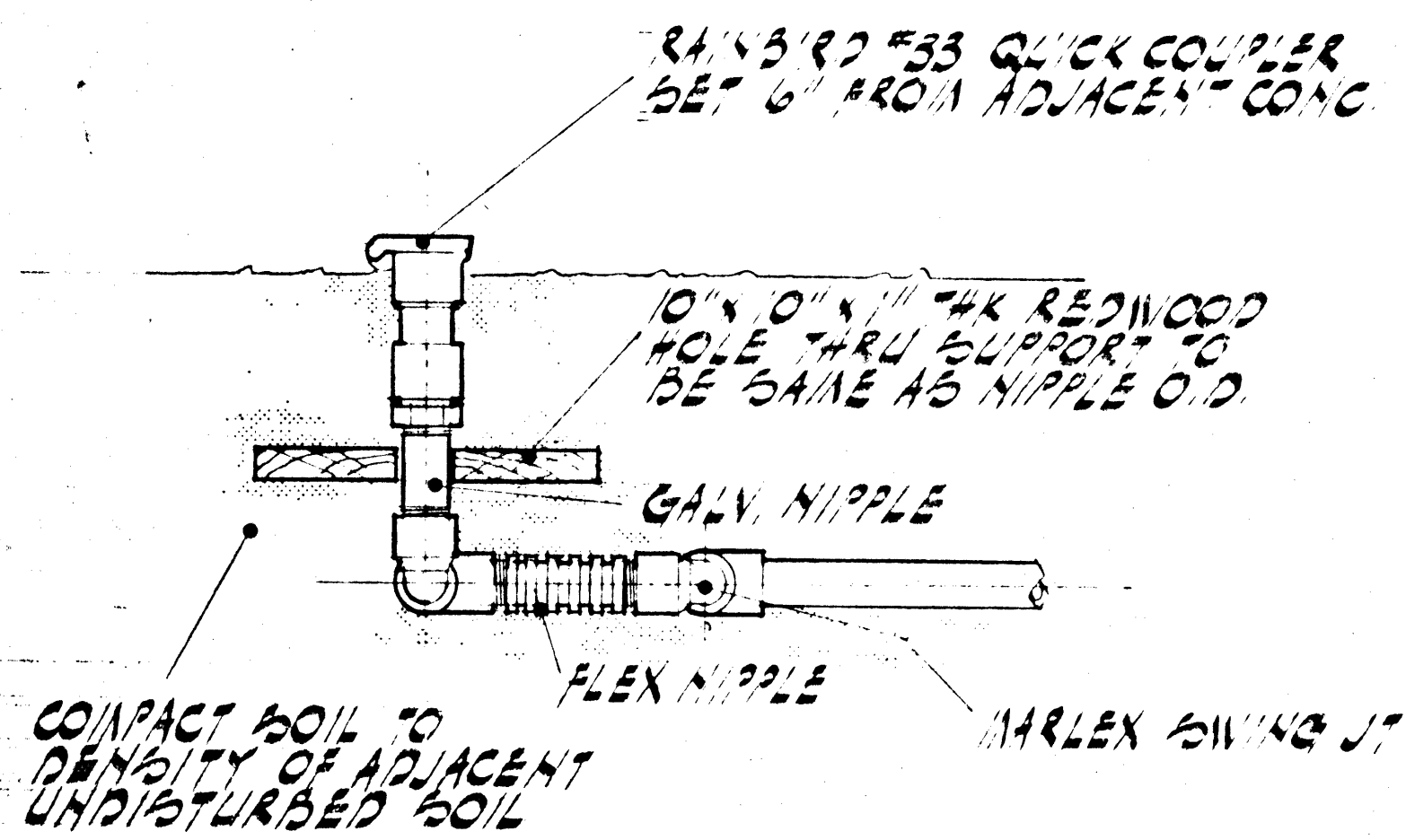


AUTOMATIC CONTROLLER

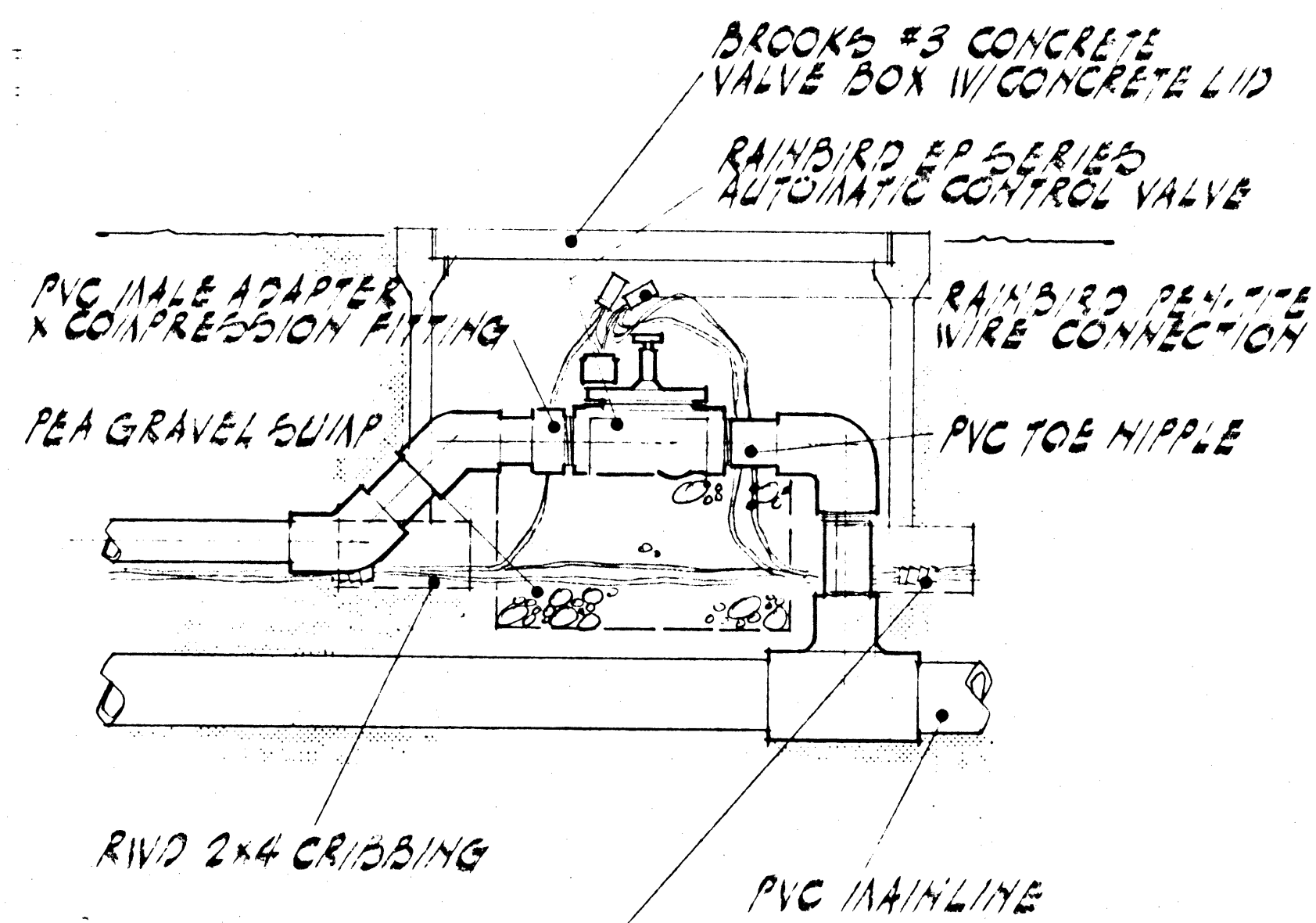


GATE VALVE

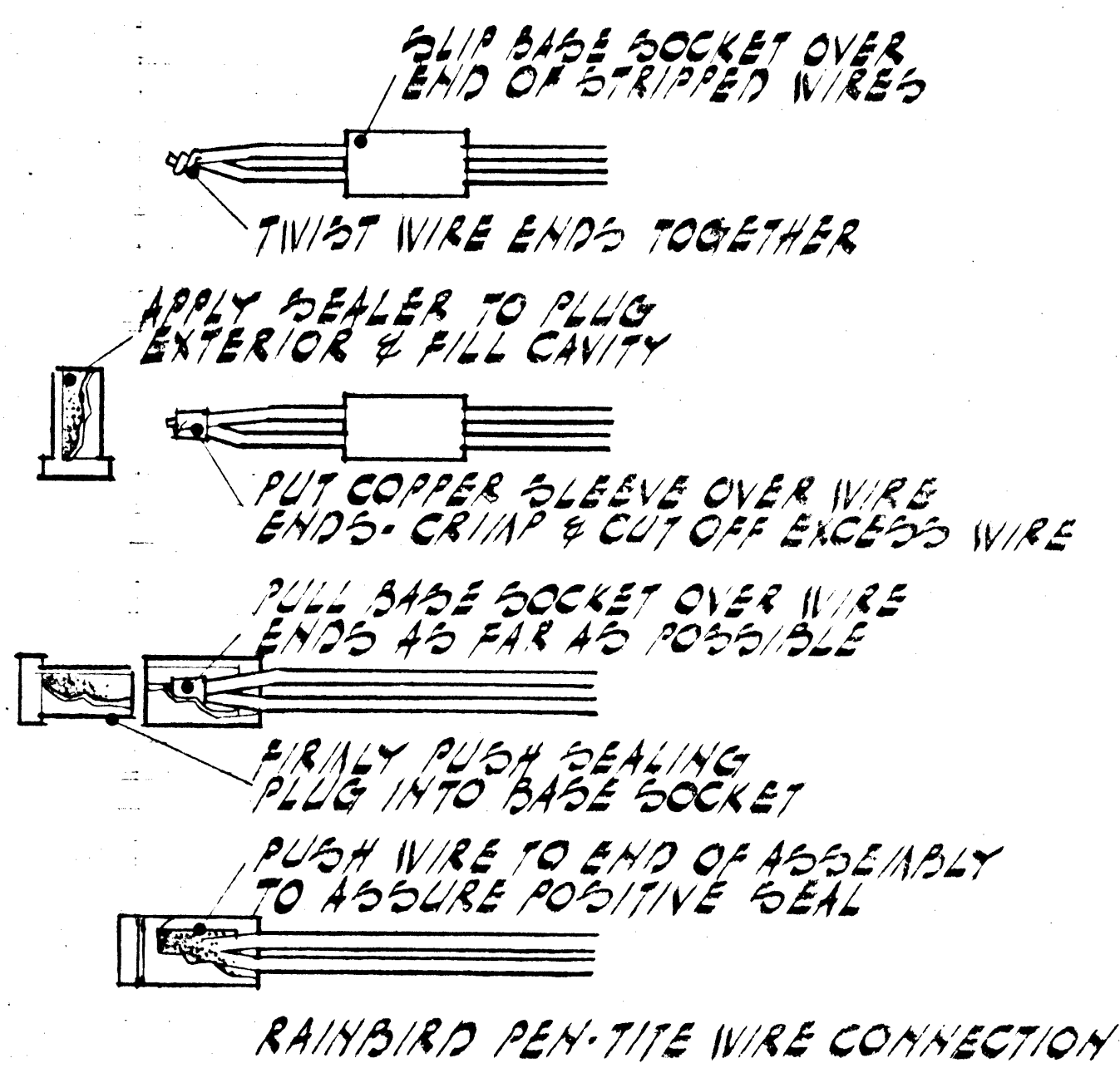
VACUUM BREAKER



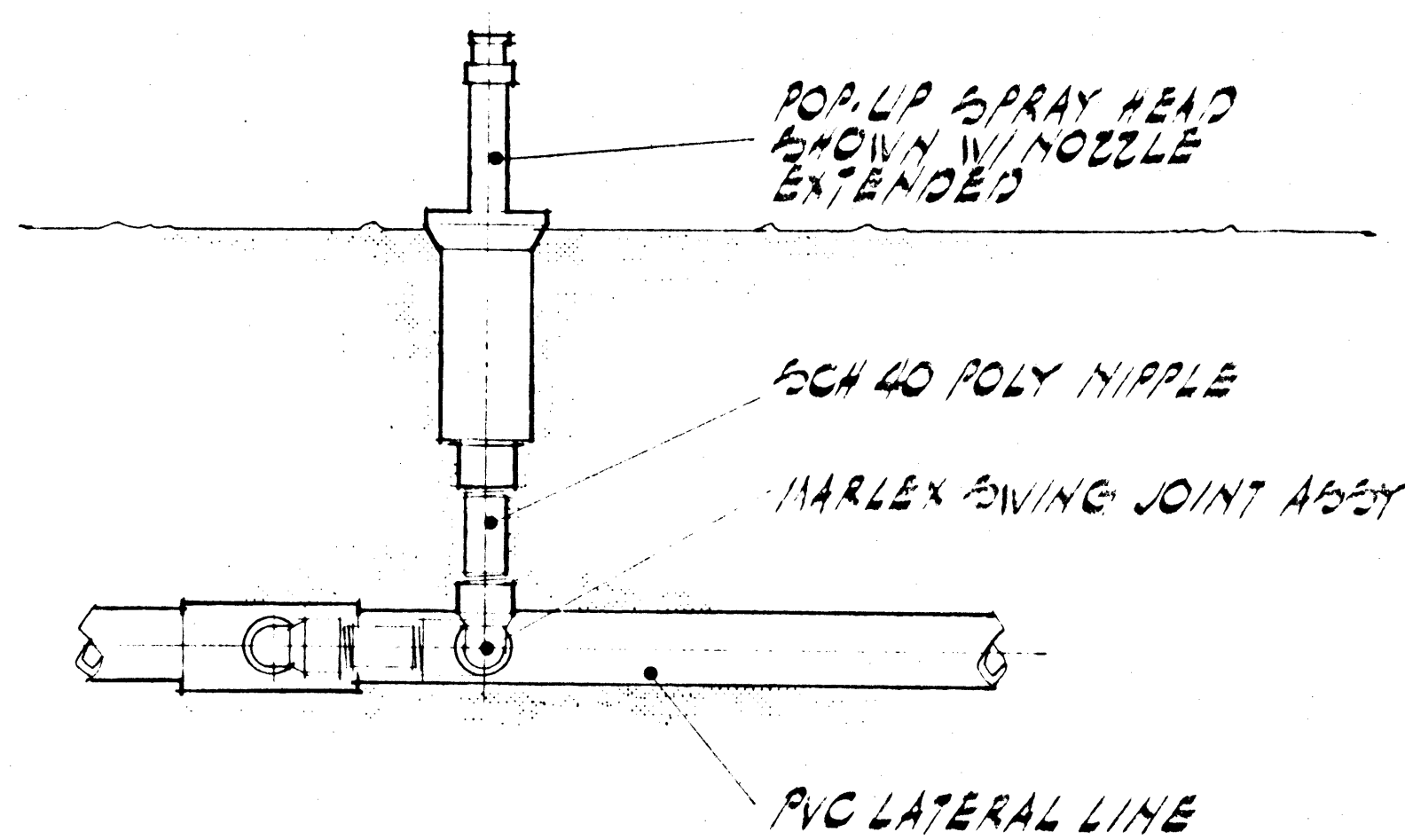
QUICK COUPLER



CONTROL VALVE



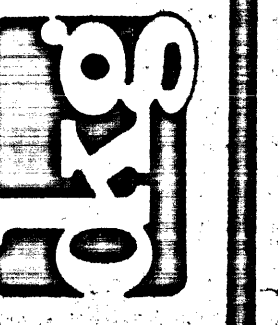
CONTROL WIRE CONNECTION



POP-UP HEAD , LAWN & SHRUB

DATE	11-13-2015
DRAWN	EF
CHECKED	EF
JOB NO.	21-1271

DOBROUSKY KITTRELL GARLOCK
 Architects
 3888 CALLE BLANCO ST., LAS VEGAS, NEVADA 89169
 (702) 733-0438



City of Las Vegas
 Downtown Transportation
 Las Vegas, Nevada
 Center

SHEET
L-3
 OF 65
 FILE NUMBER 59021

Scale: 3/4" = 1' - SEE TELEGRAM DRAFTING FIRM