

NON-BEARING HEADER SCHEDULE	
OPENING WIDTH	HEADER SIZE
3'-0" OR LESS	(2)-2 x 4 ON EDGE
3'-0" TO 6'-6"	(2)-2 x 6 ON EDGE

NOTE: HEADERS SCHEDULED HEREIN SHALL BE USED UNLESS NOTED OTHERWISE ON PLAN

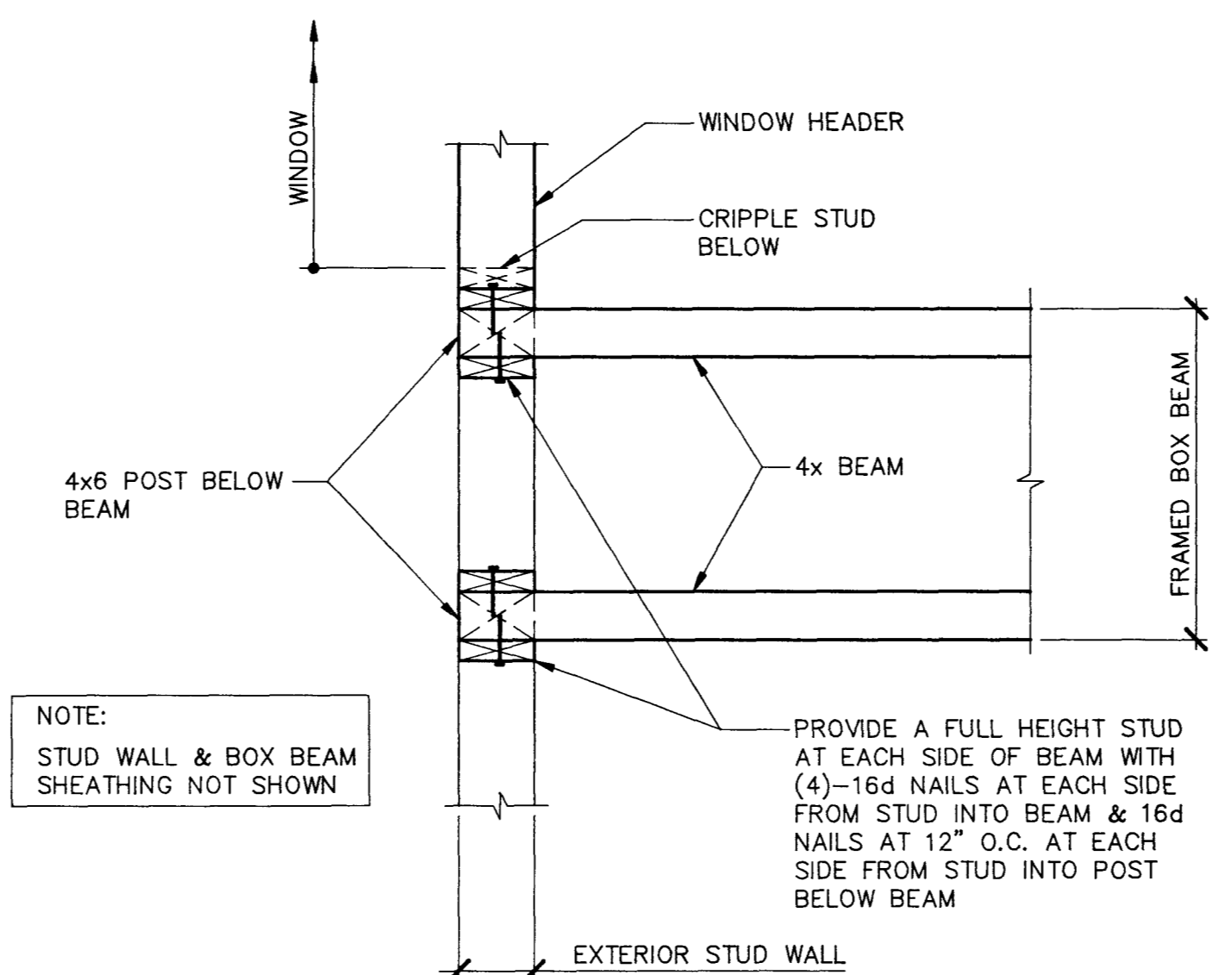
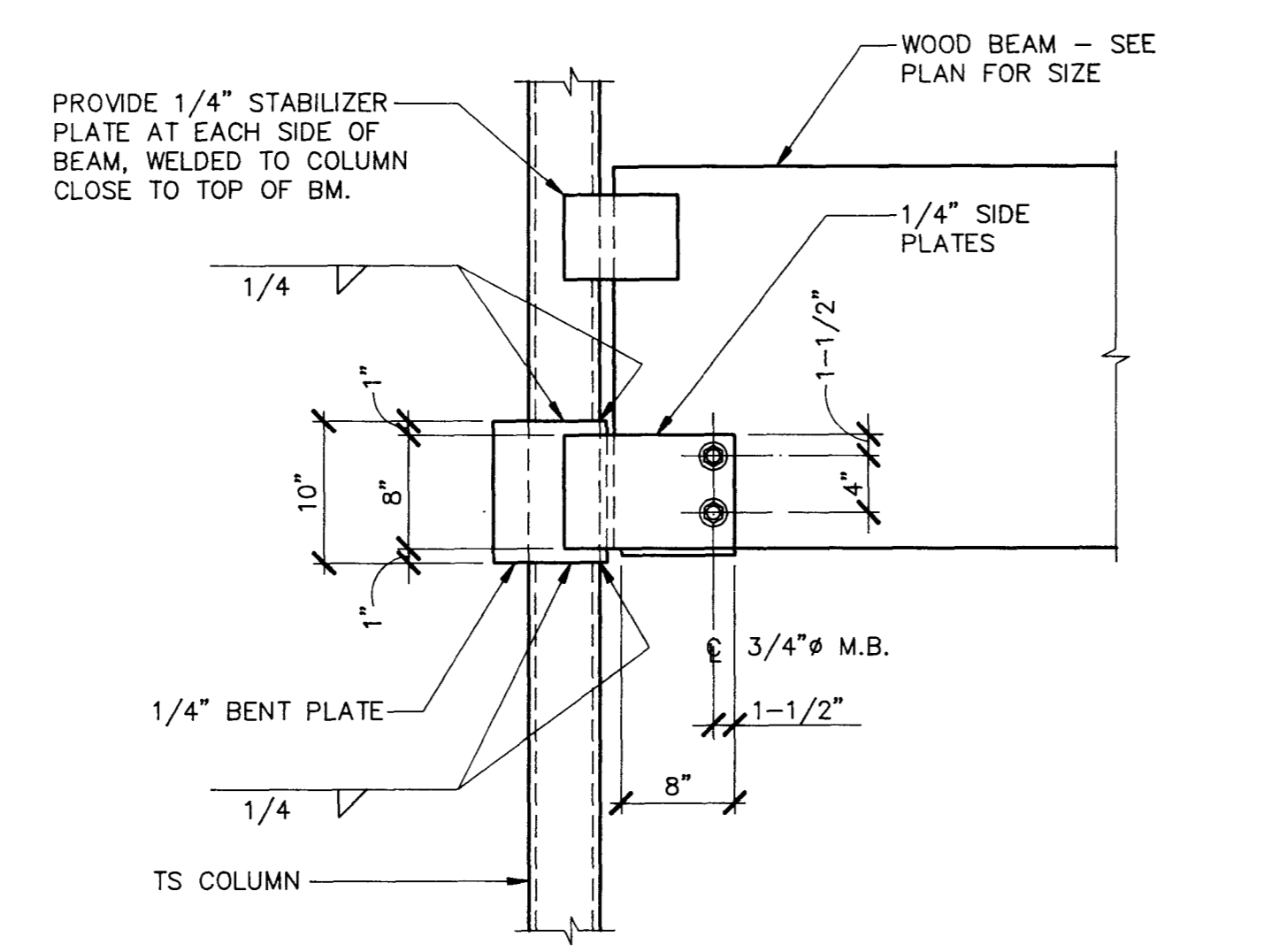
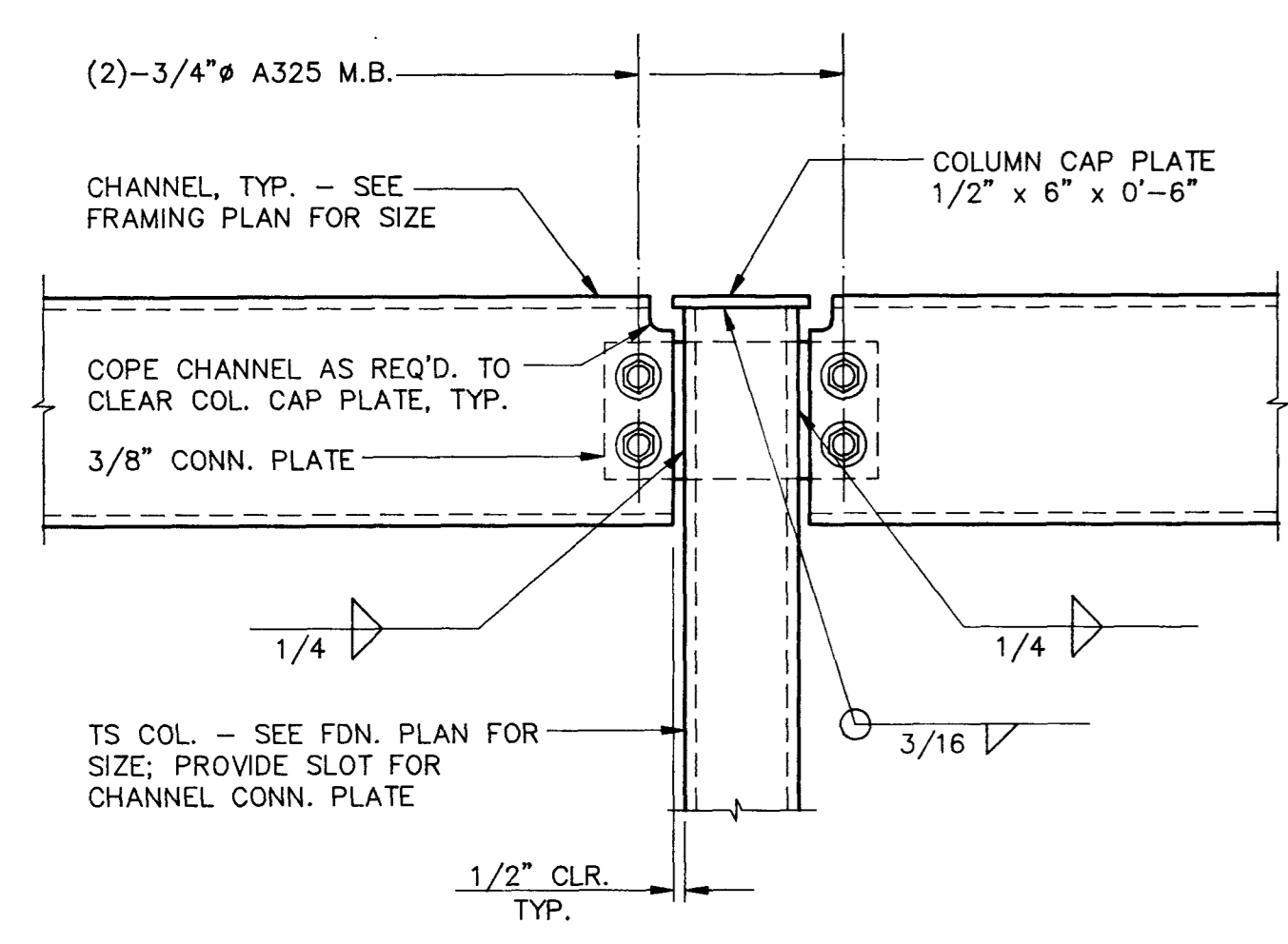
TYPICAL HEADER & SCHEDULE

12 DETAIL 1-1/2" = 1'-0"

8 PLAN DETAIL 1" = 1'-0"

4 DETAIL NO SCALE

1 DETAIL NO SCALE



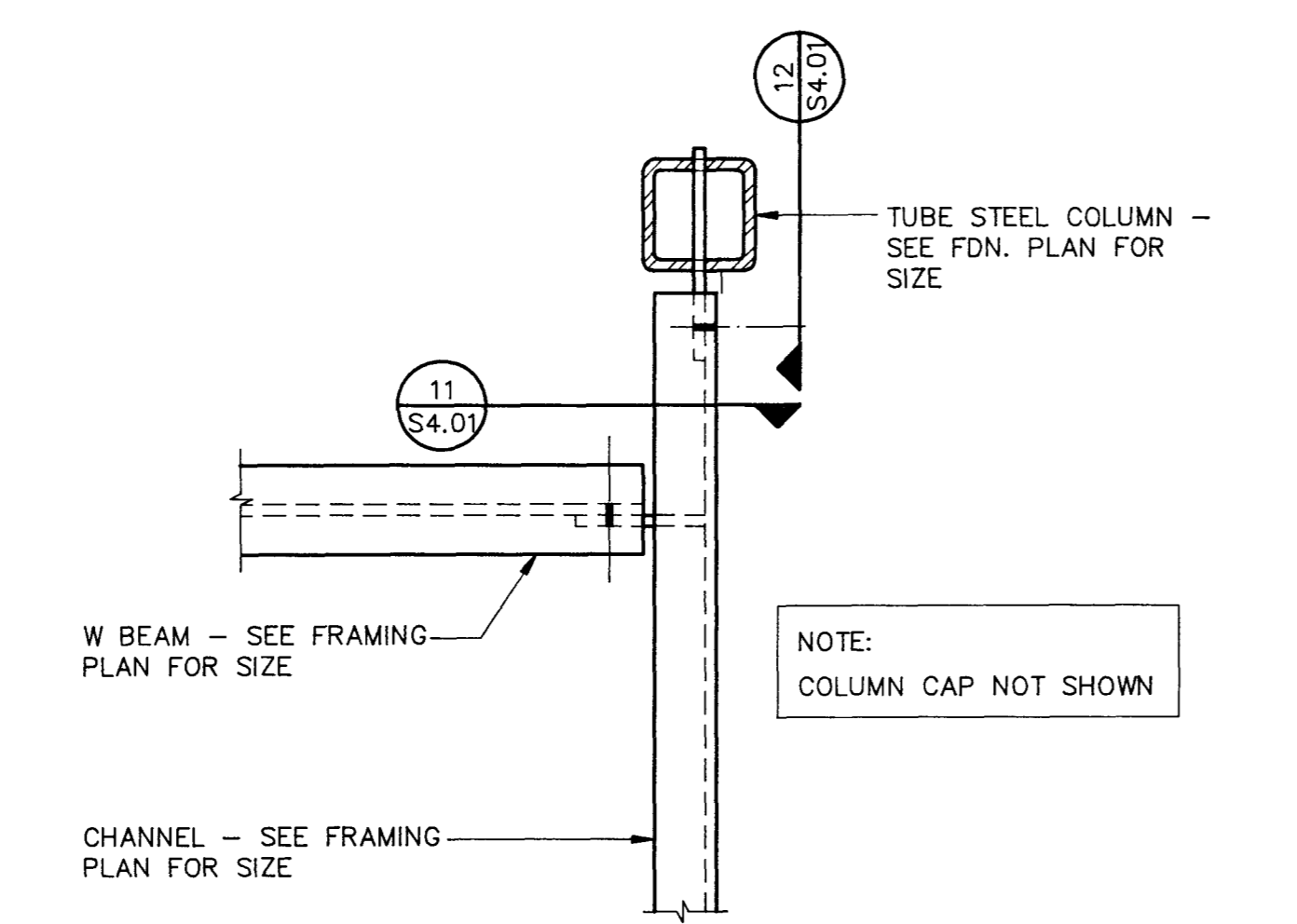
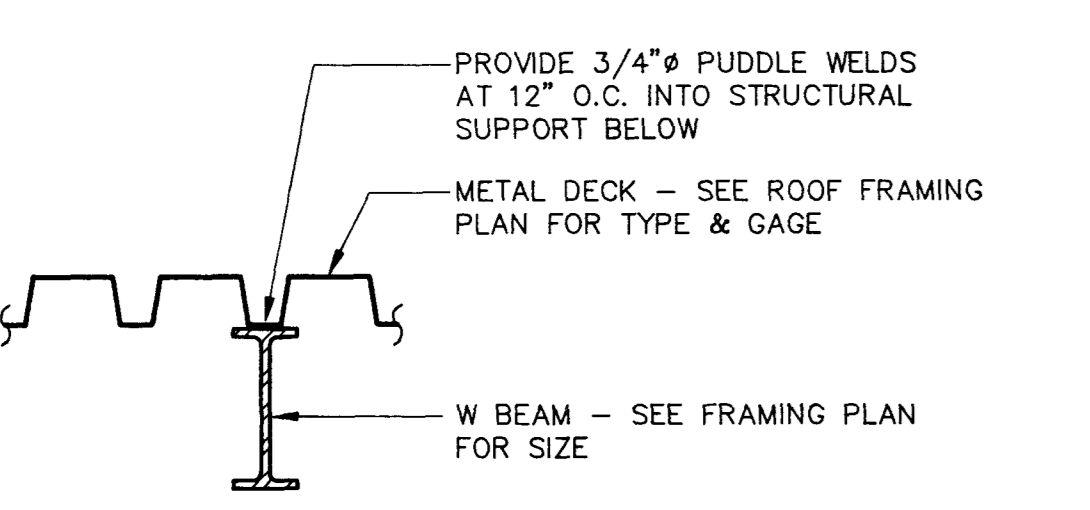
NOTE: STUD WALL & BOX BEAM SHEATHING NOT SHOWN

PROVIDE A FULL HEIGHT STUD AT EACH SIDE OF BEAM WITH (4)-16d NAILS AT EACH SIDE FROM STUD INTO BEAM & 16d NAILS AT 12" O.C. AT EACH SIDE FROM STUD INTO POST BELOW BEAM

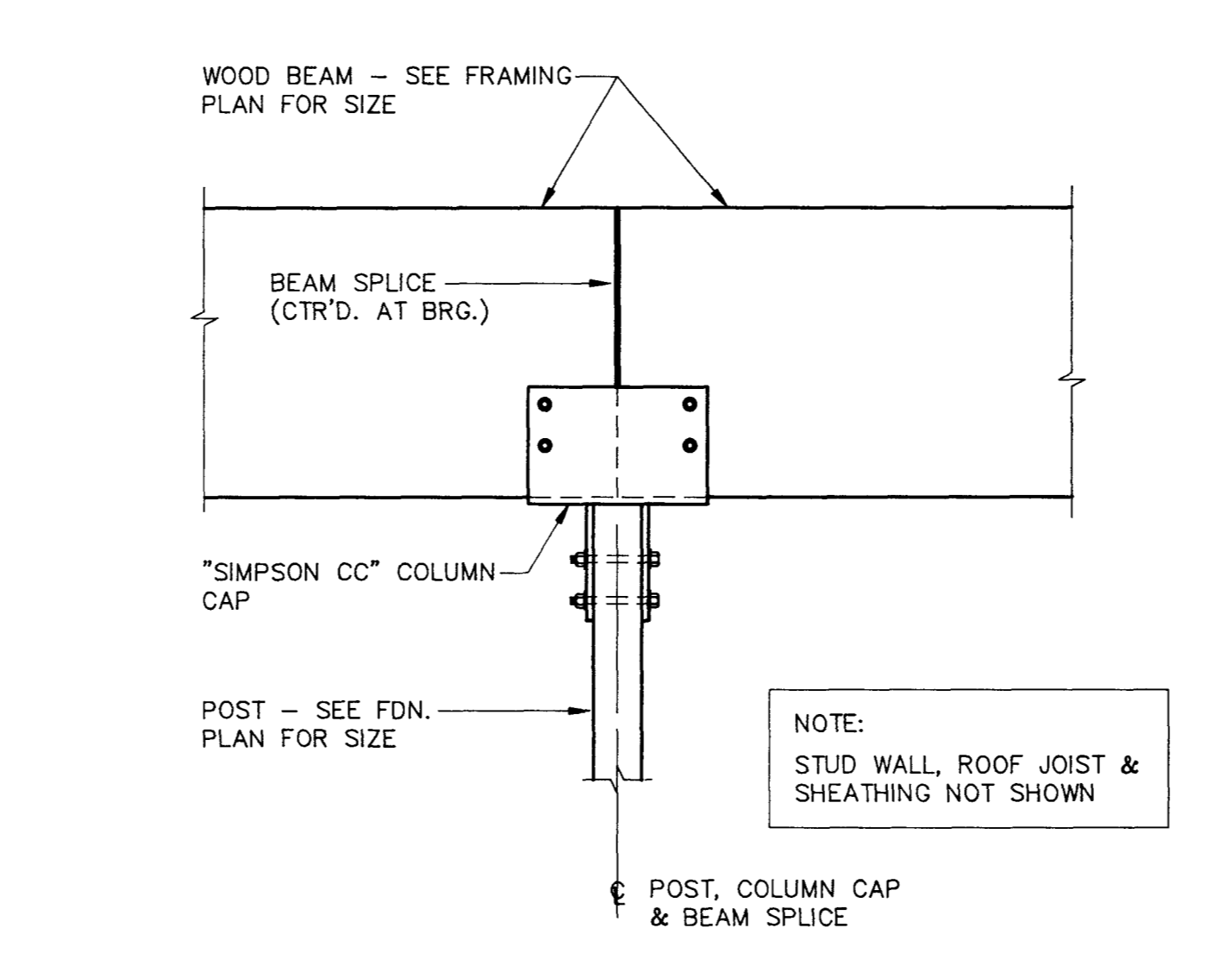
13 DETAIL 1-1/2" = 1'-0"

9 DETAIL 1" = 1'-0"

5 PLAN DETAIL 1" = 1'-0"



NOTE: COLUMN CAP NOT SHOWN

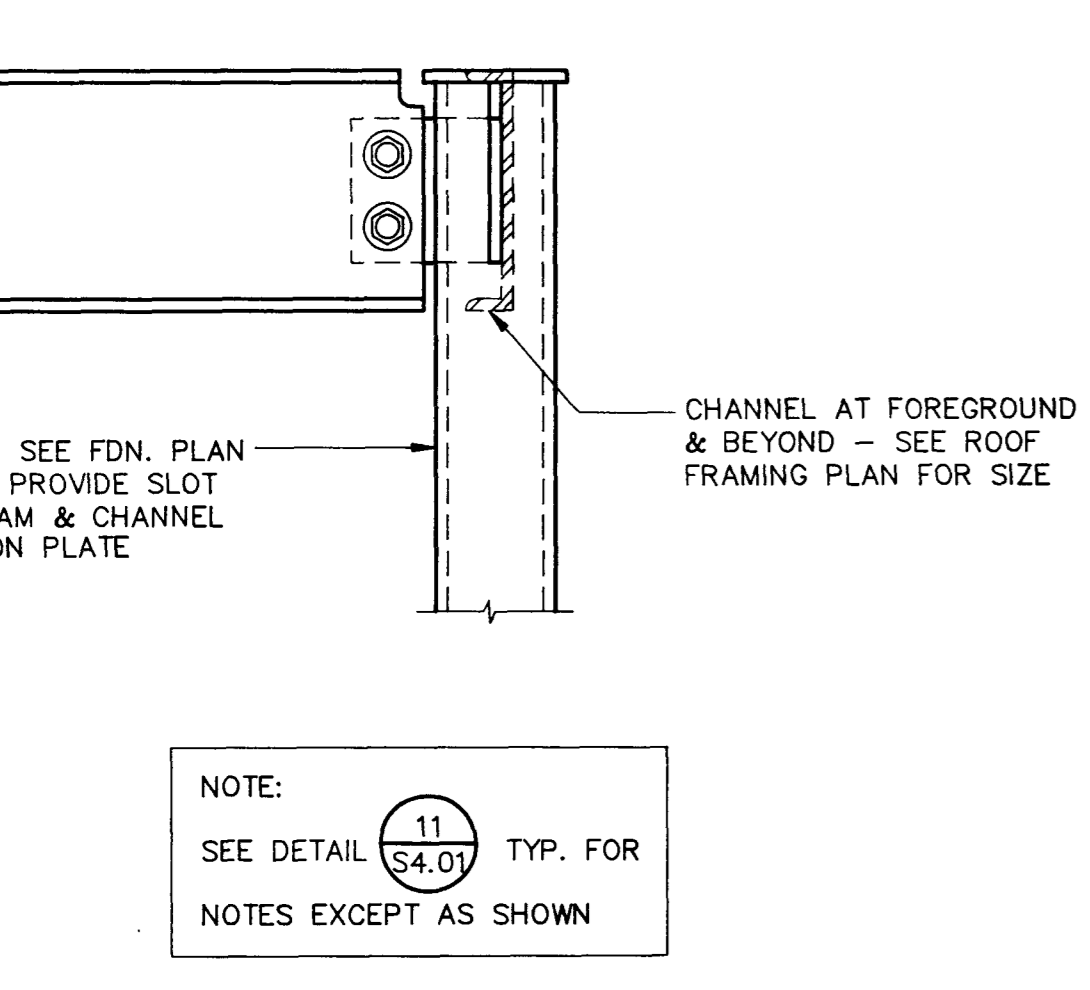


NOTE: STUD WALL, ROOF JOIST & SHEATHING NOT SHOWN

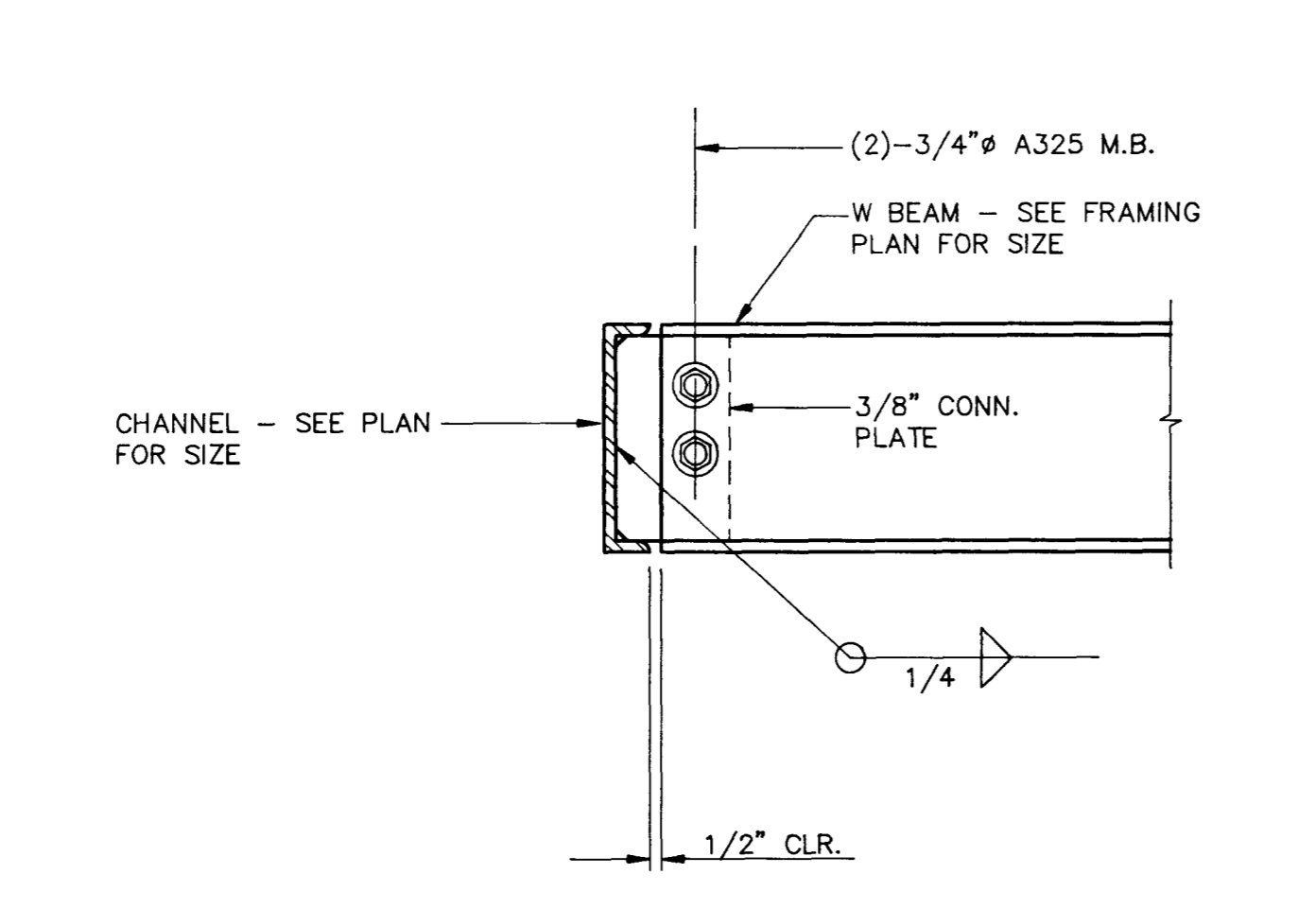
14 DETAIL 1" = 1'-0"

10 PLAN DETAIL 1-1/2" = 1'-0"

6 DETAIL 1" = 1'-0"

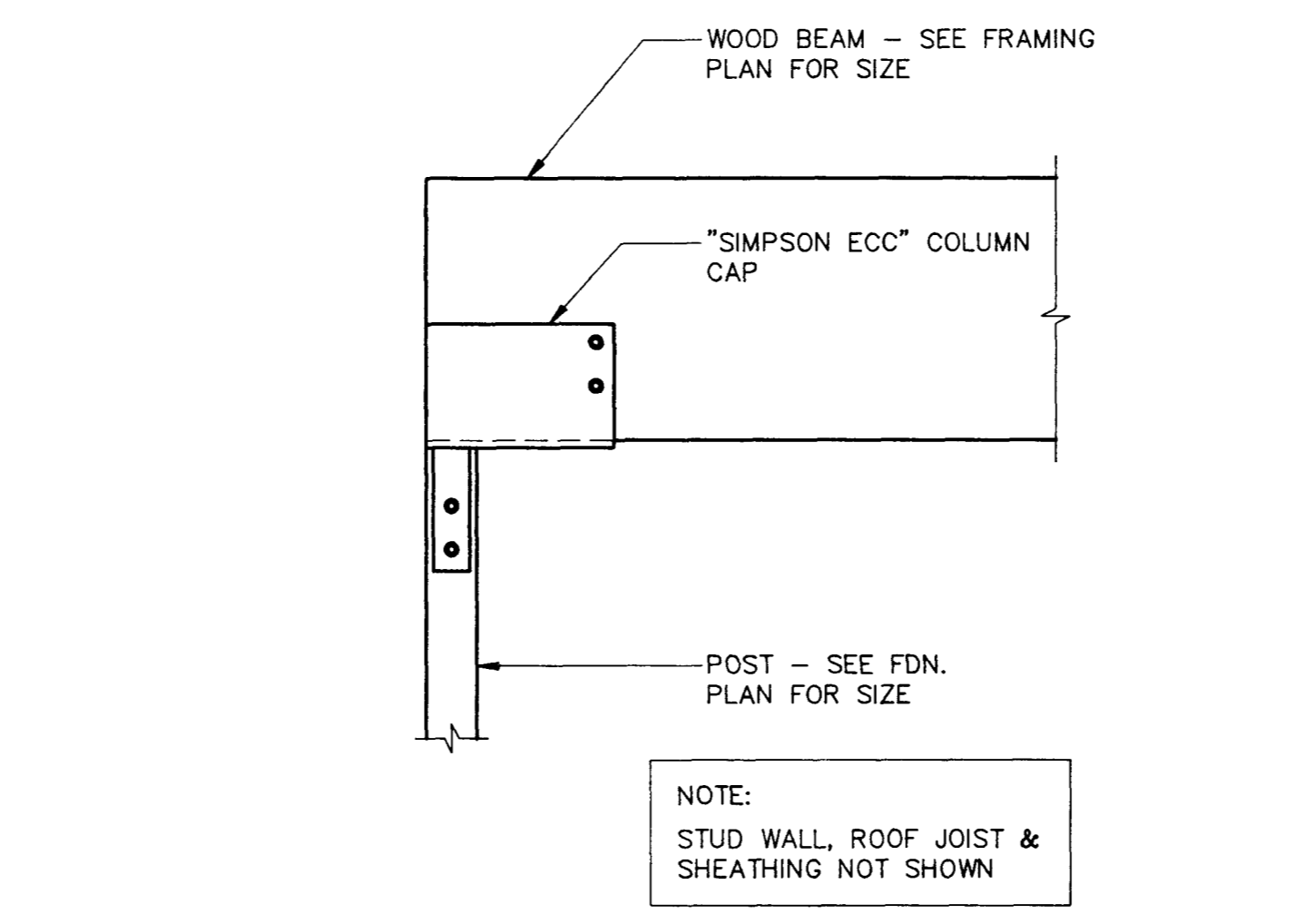


NOTE: SEE DETAIL 11 TYP. FOR NOTES EXCEPT AS SHOWN



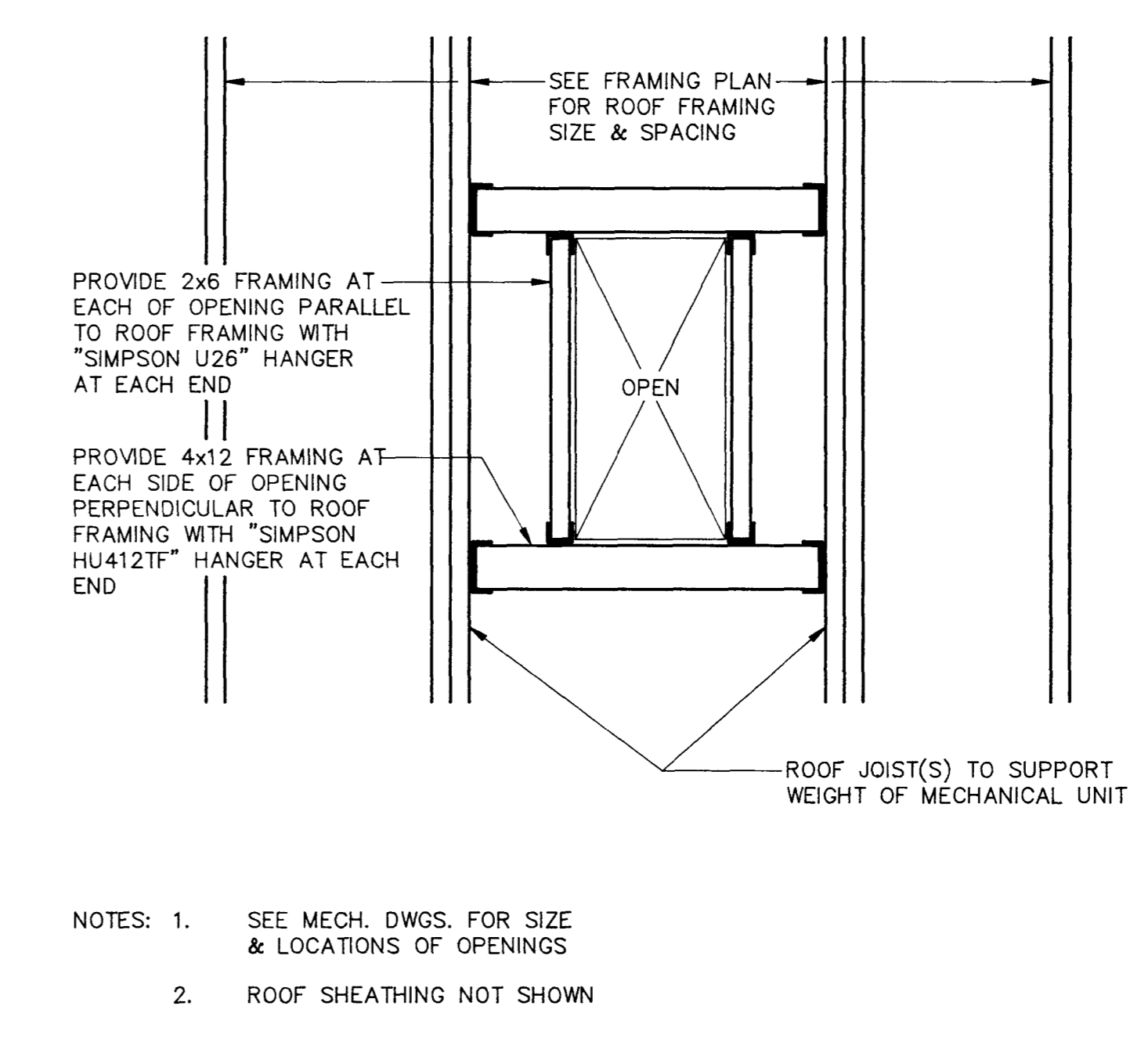
15 DETAIL 1-1/2" = 1'-0"

11 DETAIL 1-1/2" = 1'-0"



NOTE: STUD WALL, ROOF JOIST & SHEATHING NOT SHOWN

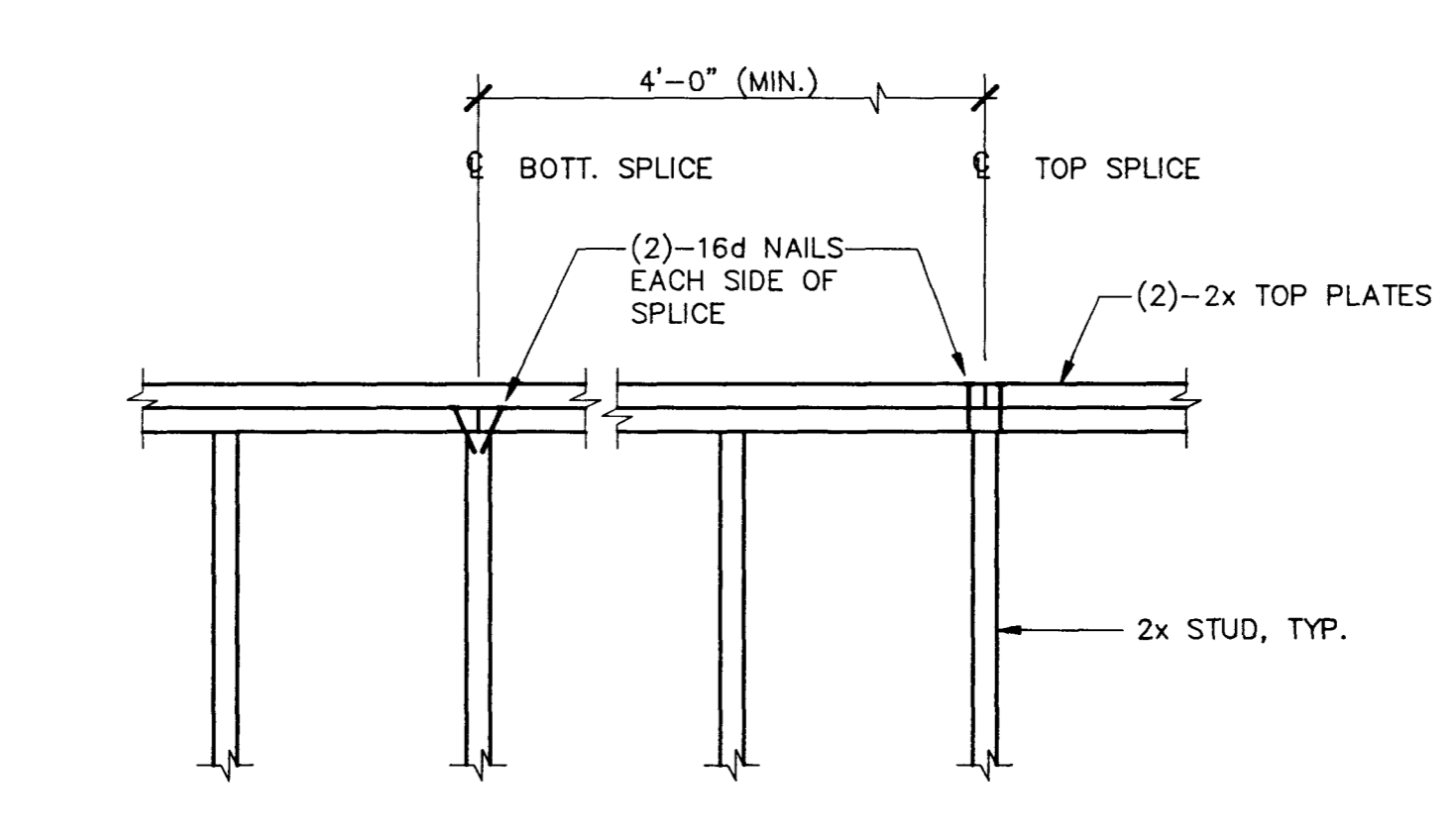
7 DETAIL 1" = 1'-0"



NOTES: 1. SEE MECH. DWGS. FOR SIZE & LOCATIONS OF OPENINGS
2. ROOF SHEATHING NOT SHOWN

TYP. FRAMING AROUND ROOF OPENING

2 DETAIL NO SCALE



TYP. DOUBLE TOP PLATE SPLICE

3 DETAIL 1" = 1'-0"

REVISIONS			
REV	DESCRIPTION	DATE	BY

© DOMINGO CAMBEIRO CORPORATION 1990

ALL IDEAS, DESIGNS, ARRANGEMENTS AND PLANS INDICATED OR PRESENTED BY THIS DRAWING AS INSTRUMENTS OF SERVICE, ARE OWNED BY AND THE PROPERTY OF DOMINGO CAMBEIRO CORPORATION. THE USE OF THESE PLANS AND/OR SPECIFICATIONS SHALL BE RESTRICTED TO THE ORIGINAL SITE FOR WHICH THEY WERE PREPARED AND PUBLICATION THEREOF IS EXPRESSLY LIMITED TO SUCH USE. REPRODUCTION, PUBLICATION OR REUSE BY ANY METHOD, IN WHOLE OR IN PART, IS PROHIBITED. NONE OF SUCH IDEAS, DESIGNS, ARRANGEMENTS OR PLANS SHALL BE USED BY OR DISCLOSED TO ANY PERSON, FIRM, AGENCY, OR CORPORATION WITHOUT THE WRITTEN PERMISSION OF DOMINGO CAMBEIRO CORPORATION. VISUAL CONTACT WITH THESE PLANS AND SPECIFICATIONS SHALL CONSTITUTE PRIMA FACIE EVIDENCE OF ACCEPTANCE OF THESE RESTRICTIONS.

SEAL	CPD	RLB	1-17-92
DRAWN BY	CHECKED BY	ISSUED DATE	1-17-92

DETAILS
SCALE DRAWINGS

ADMINISTRATION BUILDING EXPANSION DETENTION FACILITY
CITY OF LAS VEGAS, NEVADA

Domingo Cambeiro Corporation
ARCHITECTURE ENGINEERING PLANNING INTERIORS
3555 PECOS-MCLEOD IC. LAS VEGAS, NEVADA 89121
(702) 792-0084

SHEET NO. 26 OF 41
S4.01