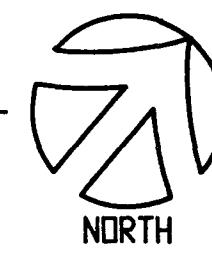
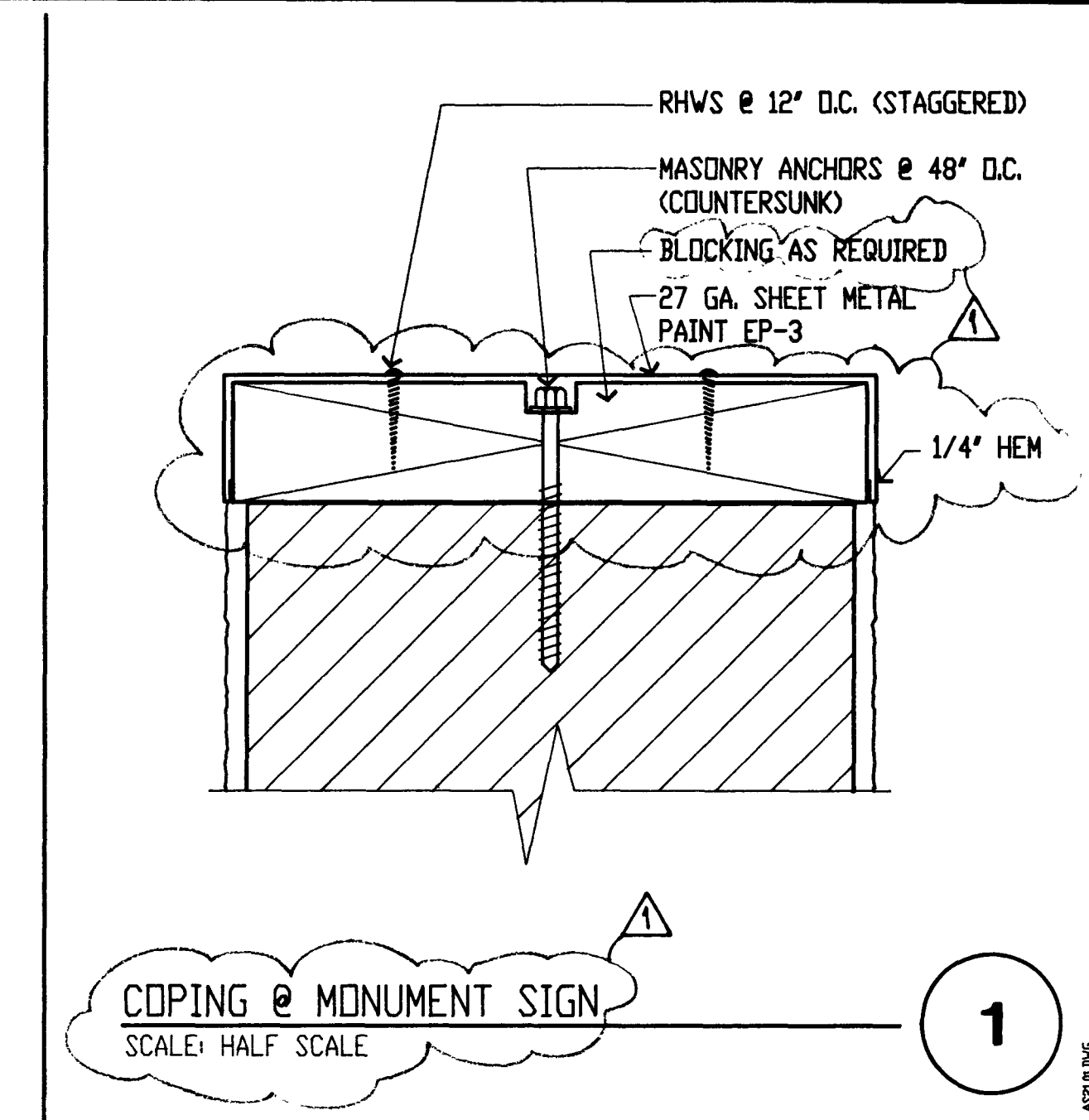


ENLARGED PLAN • HANDICAP RAMP

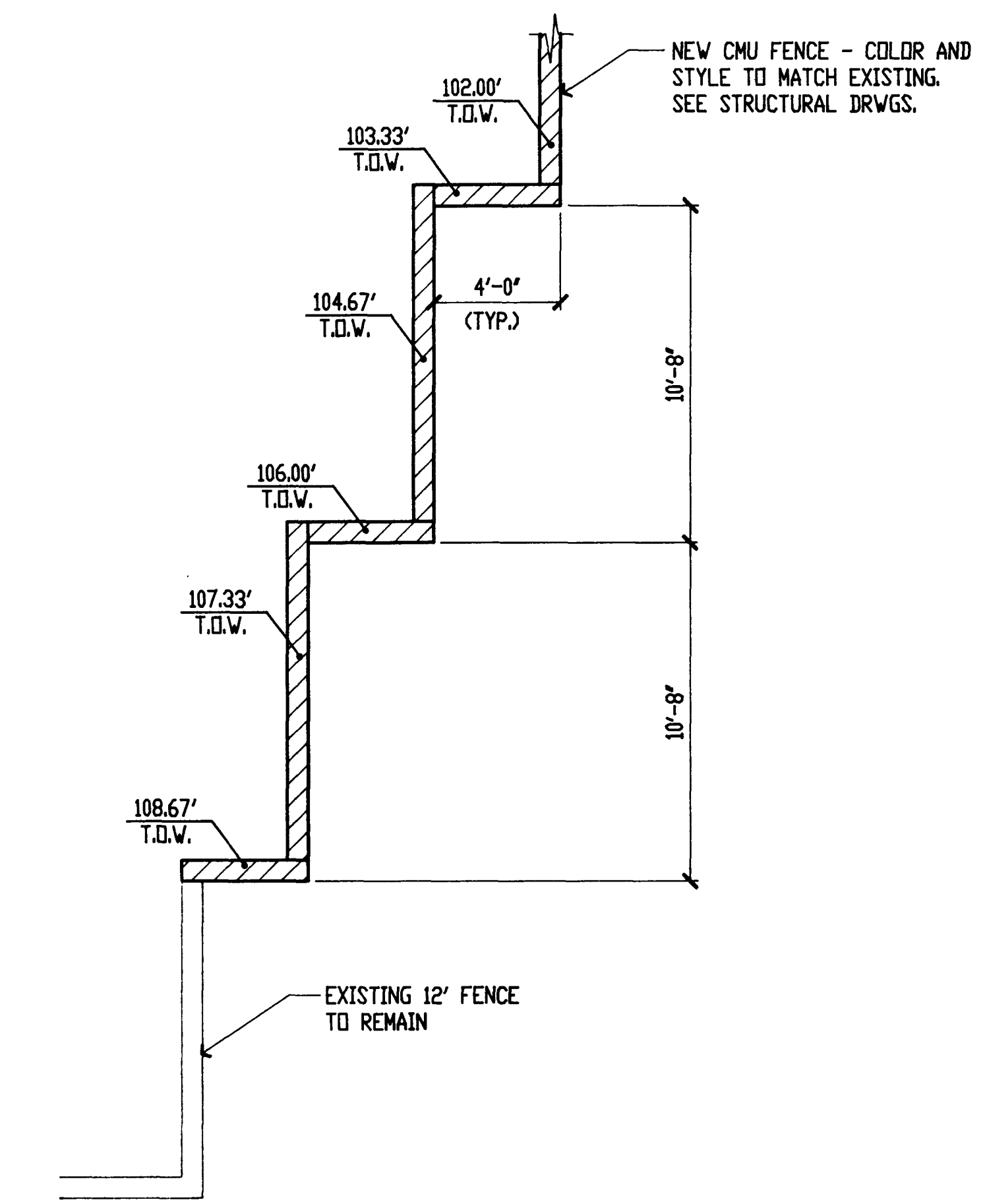
SCALE: 1/4"=1'-0"



- HANDRAIL NOTES**
1. ALL HANDRAILS SHALL BE 1-1/2" Ø STEEL PIPE MOUNTED 1-1/2" (CLEAR) FROM WALL.
 2. PROVIDE MOUNTING BRACKETS IN LOCATIONS SHOWN, WITH MINIMUM THREE 3/8" EXPANSION ANCHORS PER BRACKET.
 3. FINISH EP-3

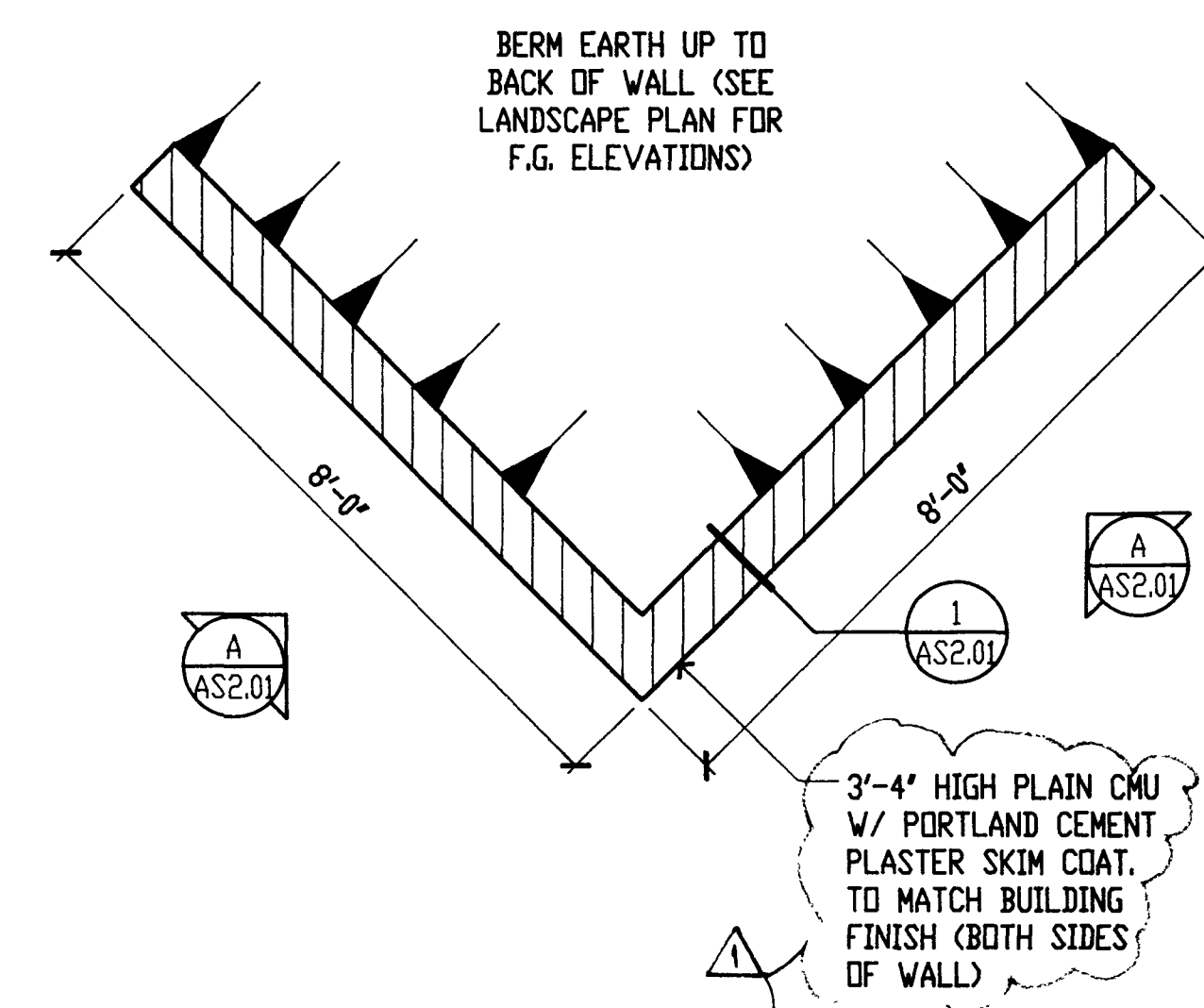


COPING @ MONUMENT SIGN
SCALE: HALF SCALE

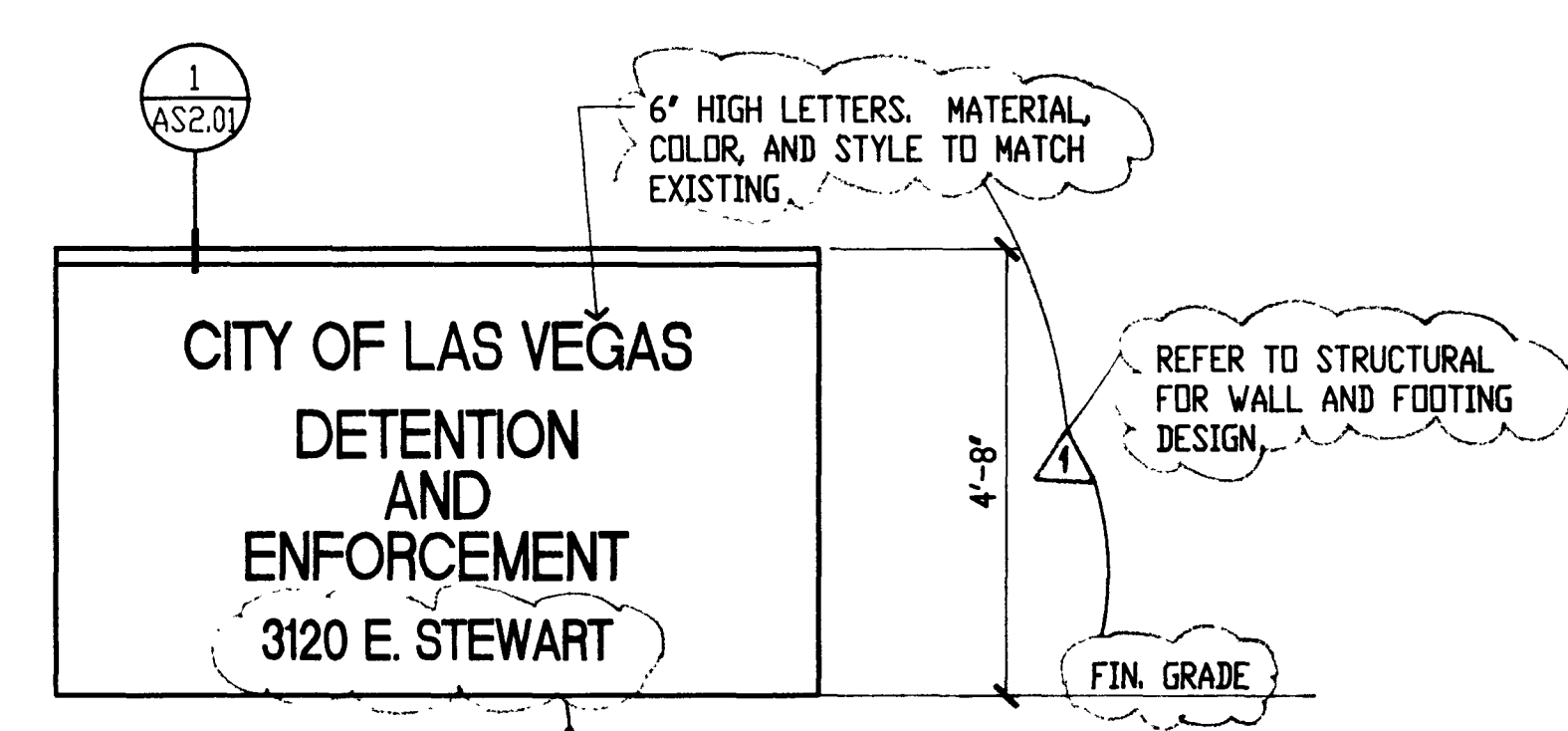


ENLARGED PLAN • WALL TRANSITION

SCALE: 1/4"=1'-0"



PLAN • MONUMENT SIGN
SCALE: 1/2"=1'-0"

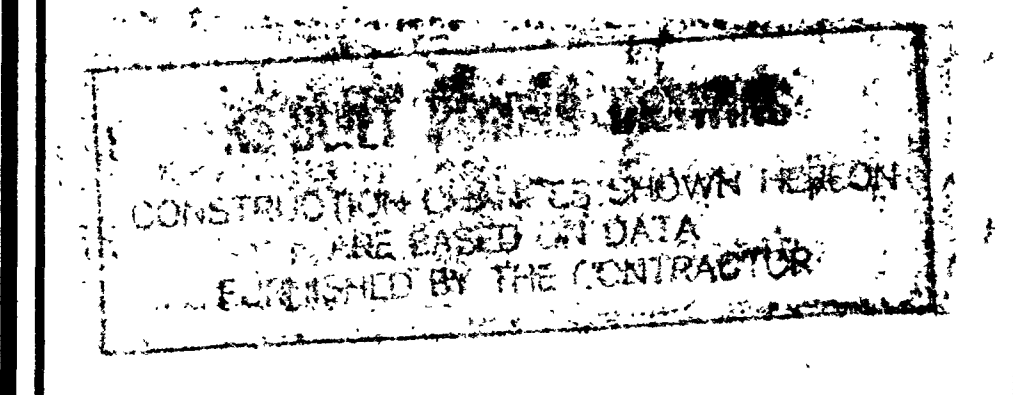


ELEVATION AT MONUMENT SIGN

A

REVISIONS			
REV	DESCRIPTION	DATE	BY
Δ	GENERAL REVISIONS	1-24-92	

© DOMINGO CAMBEIRO CORPORATION 1990



All designs, arrangements and plans indicated or presented by this drawing, as instruments of service, are owned by and the property of DOMINGO CAMBEIRO CORPORATION. The use of these plans and/or specifications shall be restricted to the original site for which they were prepared and publication thereof is expressly limited to such use. Reproduction, publication or re-use by any method in whole or in part is prohibited. None of such designs, arrangements or plans shall be used by or disclosed to any person, firm, agency or corporation without the written permission of DOMINGO CAMBEIRO CORPORATION. Visual contact with these plans and specifications shall constitute prima facie evidence of acceptance of these restrictions.

SEAL

DRAWN BY
CHECKED BY
ISSUED DATE
1-27-92

SITE DETAILS AND ENLARGED PLANS
DO NOT SCALE DRAWINGS

ADMINISTRATION BUILDING DETENTION FACILITY EXPANSION
CITY OF LAS VEGAS, NEVADA

Domingo Cambeiro Corporation
ARCHITECTURE ENGINEERING PLANNING INTERIORS
3555 PECOS-MELEDD IC. LAS VEGAS, NEVADA 89121 (702) 792-0084

SHEET NO. 9 of 71
AS2.01