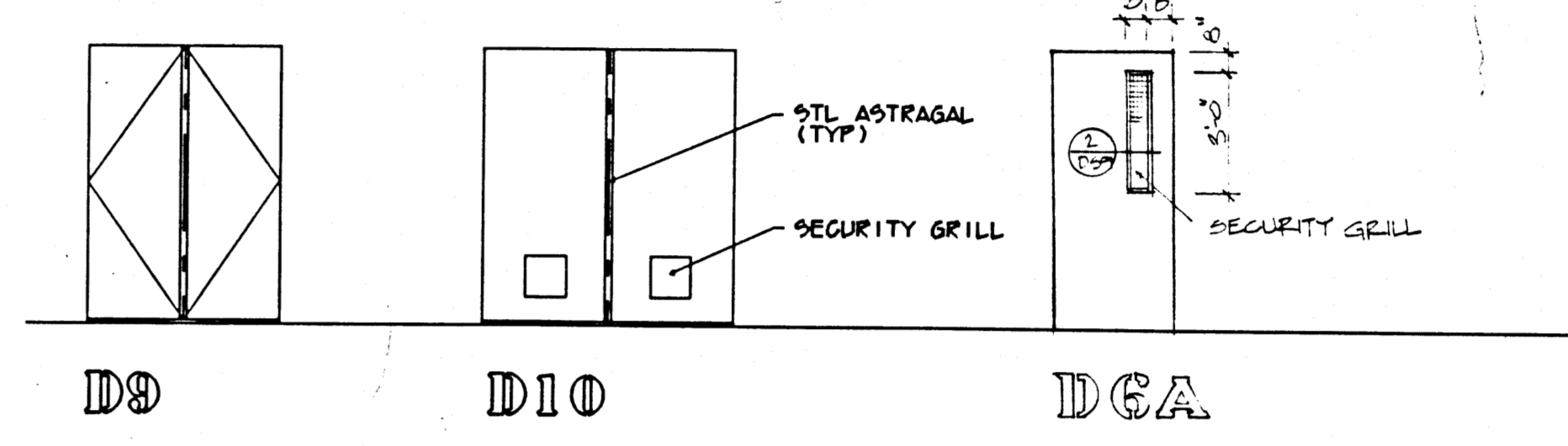
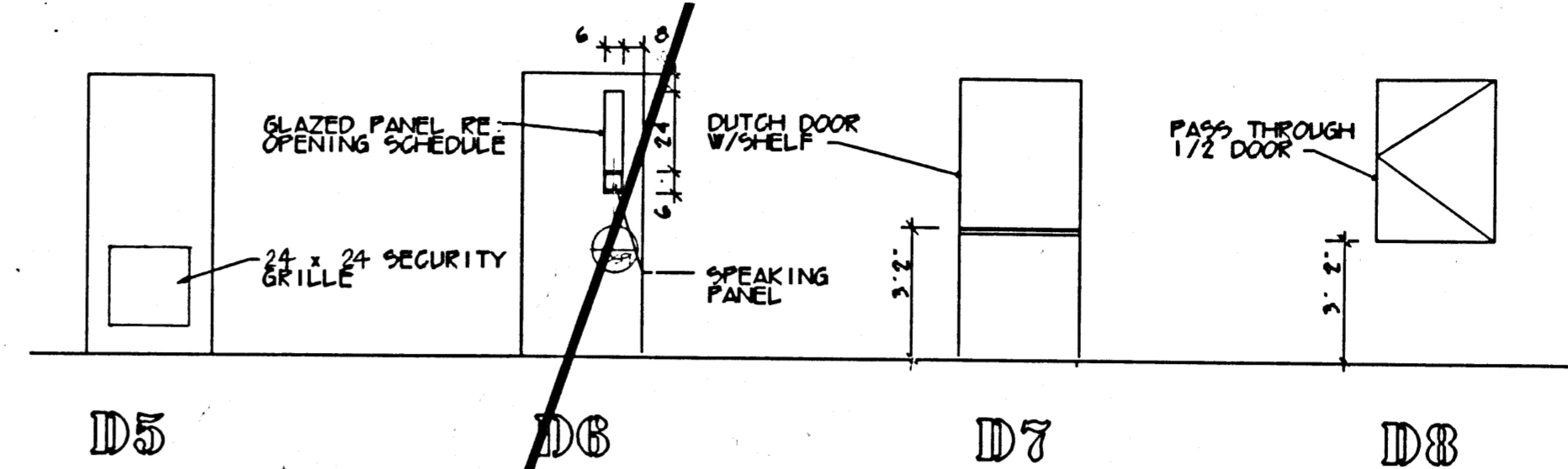
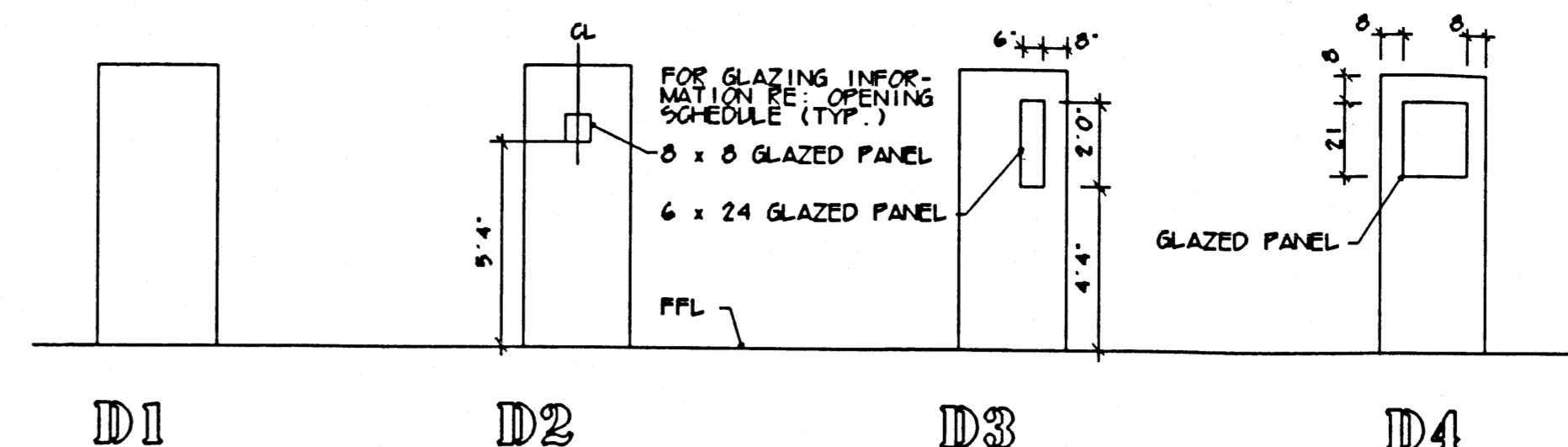


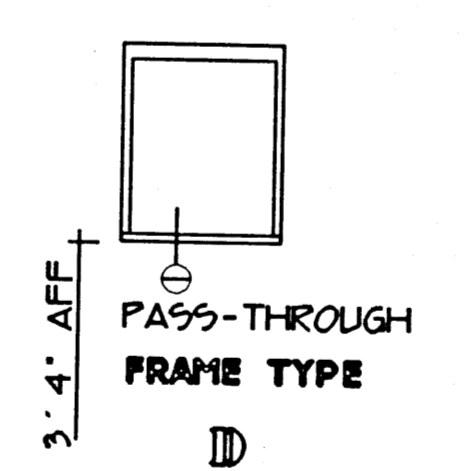
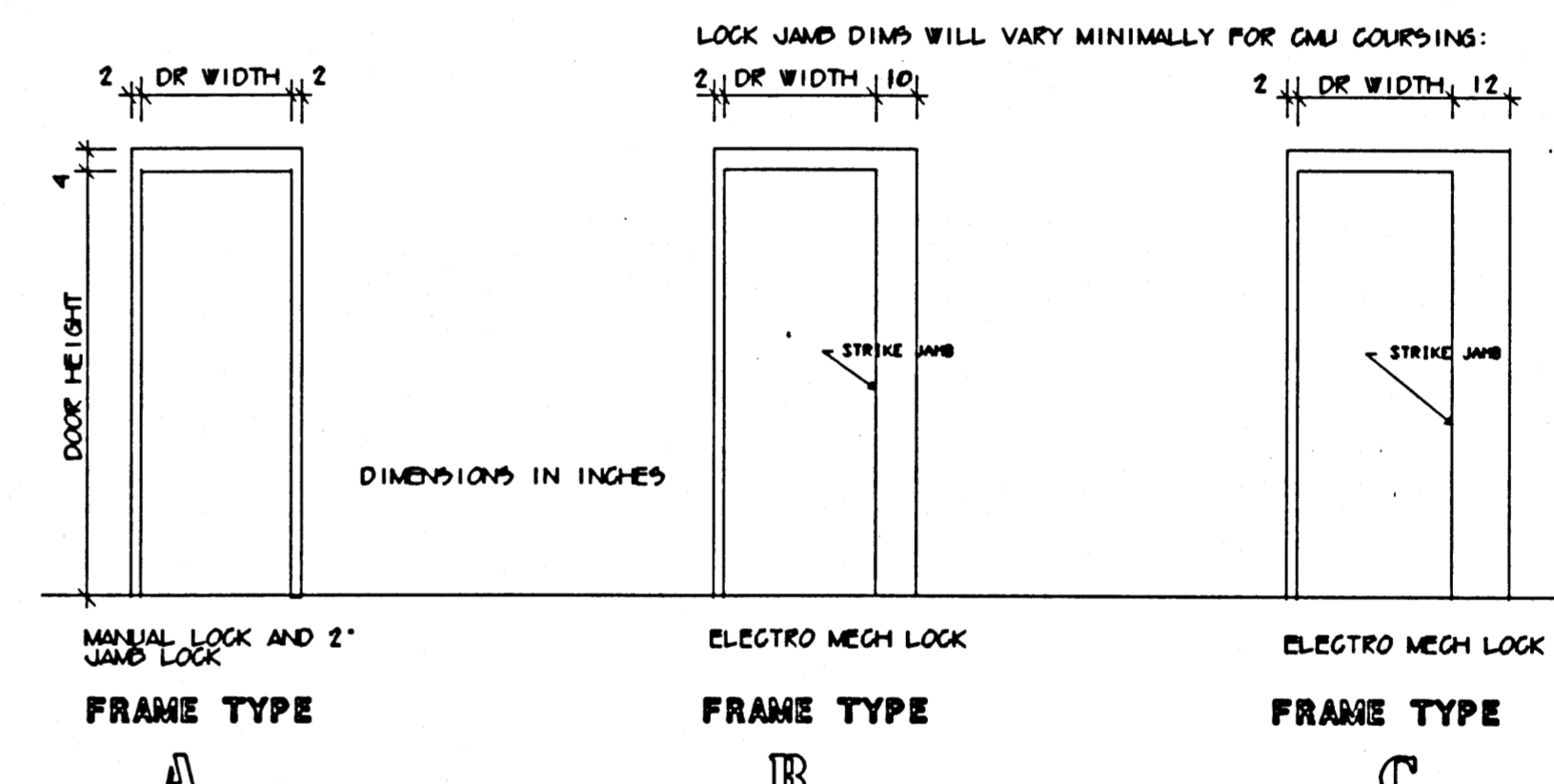
DETENTION OPENING SCHEDULE - LAS VEGAS DETENTION CENTER

DOOR/ OPEN'G #	FROM	TO	DOOR OR RELITE							FRAME							Hd we Set	FR Mins	Remarks	
			W	H	T	Matl	Ga	G	Elev	GL	Matl	Ga	G	Elev	GL	Sill				Jamb
PROGRAMS + VISITATION BUILDING																				
100-D	EXTERIOR	SALLY PORT	3	7	2"	SHM	14	X	D3	GL1	SHM	12	X	B		8/DS10	6/DS10	5/DS10	5	
101A-D	VISITOR WAITING	SALLY PORT	3	7	2"	SHM	14		D3	GL1	SHM	12	X	B			10/ DS10	9/DS10	3	
101B-D	EXTERIOR	VISITOR WAITING	3	7	2"	SHM	14	X	D3	GL1	SHM	12	X	1.13		8/DS10	6/DS10	5/DS10	5	
101C-D	VISITOR WAITING	NON-CONTACT VISITING	3	7	2"	SHM	14		D3	GL1	SHM	12		A			10/ DS10	9/DS10	14	
106-D	EXTERIOR	NON-CONTACT VISITING	3	7	2"	SHM	14	X	D3	GL1	SHM	12	X	B		8/DS10	6/DS10	5/DS10	5	
107-D	EXTERIOR	ELECTRICAL	3	7	2"	SHM	14	X	D5		SHM	12	X	A		8/DS10	6/DS10	5/DS10	10	w/24"x24" SECURITY GRILLE
108A-D	EXTERIOR	INMATE WAITING	3	7	2"	SHM	14	X	D3	GL1	SHM	12	X	B		8/DS10	6/DS10	5/DS10	5	
108B-D	INMATE WAITING	NON-CONTACT VISITING	3	7	2"	SHM	14		D3	GL1	SHM	12		B			10/ DS10	9/DS10	3	
109-D	SALLY PORT	CENTRAL CONTROL	3	7	2"	SHM	12		D3	GL3	SHM	12		C			10/ DS10	9/DS10	11	
110A-D	INMATE WAITING	SALLY PORT	3	7	2"	SHM	14		D3	GL1	SHM	12		B			10/ DS10	9/DS10	3	
110B-D	EXTERIOR	INMATE WAITING	3	7	2"	SHM	14	X	D3	GL1	SHM	12	X	B		8/DS10	6/DS10	5/DS10	5	
110C-D	INMATE WAITING	CORRIDOR	3	7	2"	SHM	14		D3	GL1	SHM	12		A			10/ DS10	9/DS10	17	
113-D	SICK CALL	CORRIDOR	3	7	2"	SHM	14		D2	GL1	SHM	12		A			10/ DS10	9/DS10	14	
116-D	EXTERIOR	CANTEEN	3	7	2"	SHM	14	X	D3	GL1	SHM	12		B		8/DS10	6/DS10	5/DS10	6	
118-D	EXTERIOR	ENTRY	3	7	2"	SHM	14	X	D3	GL1	SHM	12	X	B		8/DS10	6/DS10	5/DS10	5	
120-D	MULTIPURPOSE	STORAGE	3	7	2"	SHM	14		D2	GL1	SHM	12		A			10/ DS10	9/DS10	9	
121-D	EXTERIOR	MULTIPURPOSE	3	7	2"	SHM	14	X	D3	GL1	SHM	12	X	B		8/DS10	6/DS10	5/DS10	5	
SG1.01	PEDESTRIAN GATE		4	8				X						X					23	
SG1.02	PEDESTRIAN GATE		4	8										X					22	
1.1-D	CENTRAL CONTROL	NON-CONTACT VISITING	4	4							SHM	12		1.1	GL3	11/DS10	11/DS10	13/DS10		
1.2-D	SERGEANT	EXTERIOR	14	4							SHM	12	X	1.2	GL1	3/DS10	2/DS10	1/DS10		
1.3-D	EXTERIOR		4	4							SHM	12	X	1.3	GL1	3/DS10	2/DS10	1/DS10		
1.5-D	CONTROL	EXTERIOR	6	4							SHM	12	X	1.5	GL4	3/DS10	2/DS10	1/DS10		
1.6-D	CONTROL	EXTERIOR	4	4							SHM	12	X	1.6	GL4	3/DS10	2/DS10	1/DS10		
1.6-D	LIEUTENANT	EXTERIOR	4	4							SHM	12	X	1.6	GL1	3/DS10	2/DS10	1/DS10		
1.9-D	CONTROL		8	4							SHM	12	X	1.9	GL3	11/ DS10	11/ DS10	13/ DS10		
1.10-D	CANTEEN	EXTERIOR	2	4							SHM	12	X	1.10	GL1	3/DS10	2/DS10	1/DS10		PASS THRU & SPEAKER
1.11-D	RELITE		6 ⁶		AS REQ'D						SHM	12	X	1.11	GL3					
1.12-D	RELITE		3 ⁶		AS REQ'D						SHM	12	X	1.12	GL3					
1.13-D	EXTERIOR	VISITOR WAITING	6 ⁴	7 ⁴							SHM	12	X	1.13	GL1					

CLOSE CUSTODY UNIT																					
DOOR/ OPEN'G #	FROM	TO	W	H	T	Matl	Ga	G	Elev	GL	Matl	Ga	G	Elev	GL	Sill	Jamb	Head	Hd we Set	FR Mins	Remarks
201A-D	EXTERIOR	SALLYPORT	3	7	2"	SHM	14	X	D2	GL2	SHM	12	X	B		8/DS10	6/DS10	5/DS10	6	45	
201B-D	SALLYPORT	PROCESSING	3	7	2"	SHM	14		D2	GL2	SHM	12		B			10/ DS10	9/DS10	8	90	
201C-D	SALLYPORT	DAYROOM	3	7	2"	SHM	14		D2	GL2	SHM	12		B			10/ DS10	9/DS10	8	90	
202-D	STOR/JANITOR	PROCESSING	3	7	2"	SHM	14		D1		SHM	12		A			10/ DS10	9/DS10	24	60	
203-D	HOLDING CELL	PROCESSING	3	7	2"	SHM	14		D6A		SHM	12		A			10/ DS10	9/DS10	2		CB,OHS
204-D	HOLDING CELL	PROCESSING	3	7	2"	SHM	14		D6A		SHM	12		A			10/ DS10	9/DS10	2		CB,OHS
205-D	HOLDING CELL	PROCESSING	3	7	2"	SHM	14		D6A		SHM	12		A			10/ DS10	9/DS10	2		CB,OHS
206-D	HOLDING CELL	PROCESSING	3	7	2"	SHM	14		D6A		SHM	12		A			10/ DS10	9/DS10	2		CB,OHS
208-D	PROCESSING	EXTERIOR	3	7	2"	SHM	14	X	D4	GL1	SHM	12	X	B		8/DS10	6/DS10	5/DS10	6		
211A-D	PROCESSING	PROPERTY STORE	3	3 ⁸	2"	SHM	14		D8		SHM	12		D		15/ DS12	10/ DS10	9/DS10	18		
211B-D	CLOTHING ISSUE	PROPERTY STORE	3	7	2"	SHM	14		D4	GL1	SHM	12		A			10/ DS10	9/DS10	9		
212-D	CLOTHING ISSUE	PROCESSING	3	7	2"	SHM	14		D7		SHM	12		A		11/ DS12	10/ DS10	9/DS10	15		DUTCH DOOR W/SHELF
213-D	CELL	DAYROOM	3	7	2"	SHM	14		D6A		SHM	12		A			10/ DS10	9/DS10	2		CB,OHS
214-D	CELL	DAYROOM	3	7	2"	SHM	14		D6A		SHM	12		A			10/ DS10	9/DS10	2		CB,OHS
215-D	CELL	DAYROOM	3	7	2"	SHM	14		D6A		SHM	12		A			10/ DS10	9/DS10	2		CB,OHS
216-D	CELL	DAYROOM	3	7	2"	SHM	14		D6A		SHM	12		A			10/ DS10	9/DS10	2		CB,OHS
217-D	CELL	DAYROOM	3	7	2"	SHM	14		D6A		SHM	12		A			10/ DS10	9/DS10	2		CB,OHS
218-D	CELL	DAYROOM	3	7	2"	SHM	14		D6A		SHM	12		A			10/ DS10	9/DS10	2		CB,OHS
219-D	CELL	DAYROOM	3	7	2"	SHM	14		D6A		SHM	12		A			10/ DS10	9/DS10	2		CB,OHS
220-D	CELL	DAYROOM	3	7	2"	SHM	14		D6A		SHM	12		A			10/ DS10	9/DS10	2		CB,OHS
221-D	CELL	DAYROOM	3	7	2"	SHM	14		D6A		SHM	12		A			10/ DS10	9/DS10	2		CB,OHS



DOOR TYPES



FRAME TYPES

REVISIONS			
REV	DESCRIPTION	DATE	BY

AS-BUILT RECORD DRAWING
CONSTRUCTION CHANGES SHOWN HEREON
ARE BASED ON DATA
FURNISHED BY THE CONTRACTOR

Haldane Harrison Associates, Inc. 1990
Haldane Harrison Associates, Inc.
Detention Consultants and Planners (303) 494-1498
345 MARTIN DRIVE, BOULDER, COLORADO 80503 fax: (303) 499-0066

All designs, arrangements and plans indicated or presented by this drawing as instruments of service, are owned by and the property of DOMINGO CAMBERO CORPORATION. The use of these plans and/or specifications shall be restricted to the original site for which they were prepared and publication thereof is expressly limited to such use. Reproduction, publication or re-use by any method, in whole or in part, is prohibited. None of such designs, arrangements or plans shall be used by or disclosed to any person, firm, agency, or corporation without the written permission of DOMINGO CAMBERO CORPORATION. Verbal contact with these plans and specifications shall constitute prima facie evidence of acceptance of these restrictions.

SEAL
DRAWN BY
CHECKED BY
ISSUED DATE
11-18-00

DETENTION SCHEDULES
DO NOT SCALE DRAWINGS

CITY OF LAS VEGAS
DETENTION FACILITY EXPANSION
3100 EAST STEWART AVENUE
LAS VEGAS, NEVADA

DOMINGO CAMBERO CORPORATION
INTERIORS
PLANNING
ARCHITECTURE ENGINEERING
3555 PECOS-McLEOD AVENUE LAS VEGAS, NEVADA 89121
(702) 792-0084

SHEET NO. 0113-11.15.90

DS6

138 OF 163

513-55X

SYMBOL	DEFINITION	SYMBOLS												SYMBOL	DEFINITION	
		1	2	3	4	5	6	7	8	9	10	11	12			
1	...															
2	...															
3	...															
4	...															
5	...															
6	...															
7	...															
8	...															
9	...															
10	...															
11	...															
12	...															
13	...															
14	...															
15	...															
16	...															
17	...															
18	...															
19	...															
20	...															
21	...															
22	...															
23	...															
24	...															
25	...															
26	...															
27	...															
28	...															
29	...															
30	...															
31	...															
32	...															
33	...															
34	...															
35	...															
36	...															
37	...															
38	...															
39	...															
40	...															
41	...															
42	...															
43	...															
44	...															
45	...															
46	...															
47	...															
48	...															
49	...															
50	...															
51	...															
52	...															
53	...															
54	...															
55	...															
56	...															
57	...															
58	...															
59	...															
60	...															
61	...															
62	...															
63	...															
64	...															
65	...															
66	...															
67	...															
68	...															
69	...															
70	...															
71	...															
72	...															
73	...															
74	...															
75	...															
76	...															
77	...															
78	...															
79	...															
80	...															
81	...															
82	...															
83	...															
84	...															
85	...															
86	...															
87	...															
88	...															
89	...															
90	...															
91	...															
92	...															
93	...															
94	...															
95	...															
96	...															
97	...															
98	...															
99	...															
100	...															

SYMBOL	DEFINITION	SYMBOLS												SYMBOL	DEFINITION	
		1	2	3	4	5	6	7	8	9	10	11	12			
101	...															
102	...															
103	...															
104	...															
105	...															
106	...															
107	...															
108	...															
109	...															
110	...															
111	...															
112	...															
113	...															
114	...															
115	...															
116	...															
117	...															
118	...															
119	...															
120	...															
121	...															
122	...															
123	...															
124	...															
125	...															
126	...															
127	...															
128	...															
129	...															
130	...															
131	...															
132	...															
133	...															
134	...															
135	...															
136	...															
137	...															
138	...															
139	...															
140	...															
141	...															
142	...															
143	...															
144	...															
145	...															
146	...															
147	...															
148	...															
149	...															
150	...															

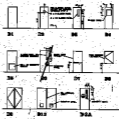


FIGURE 1