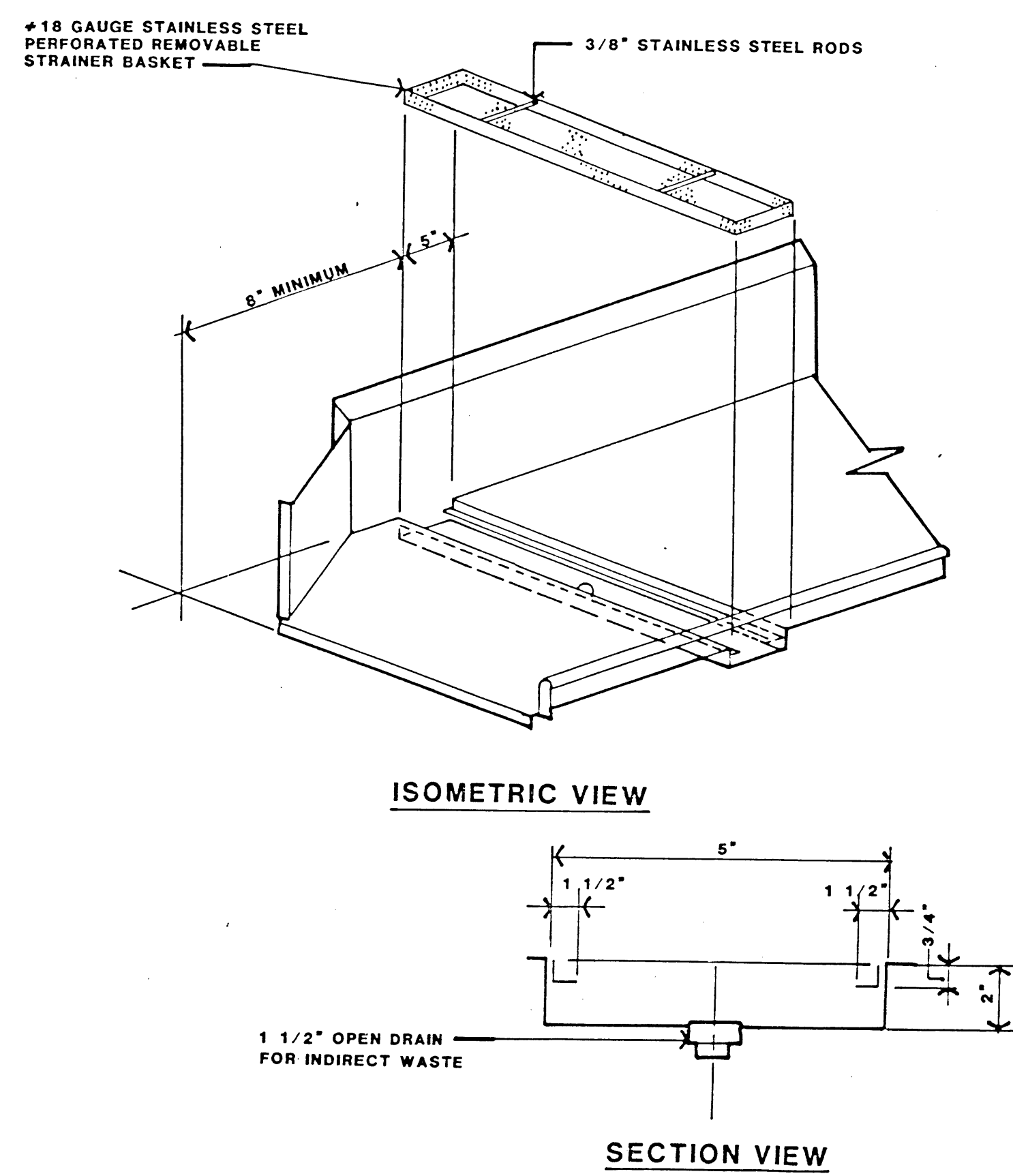
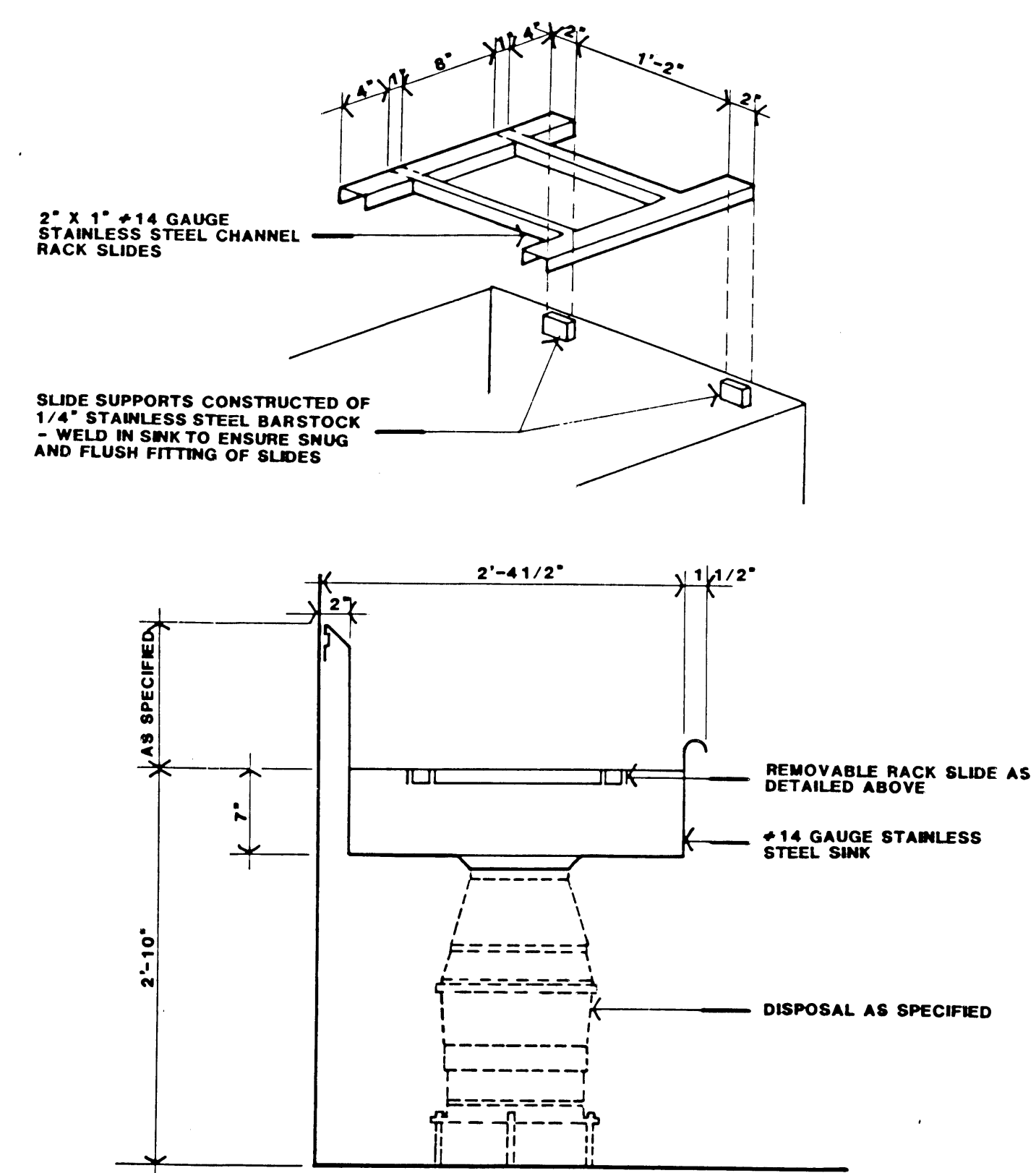


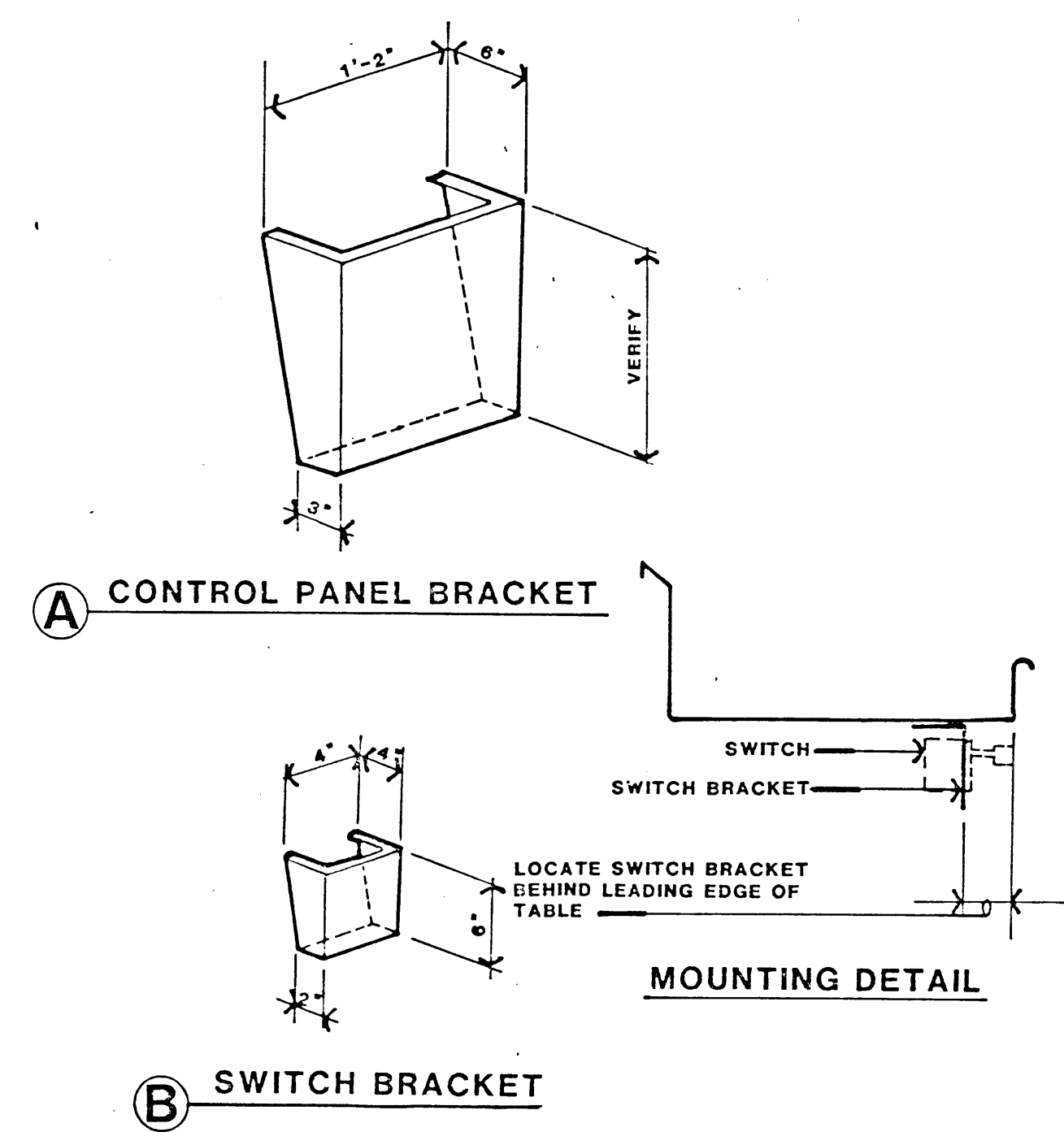
CLEAN DISHTABLE — SD-11



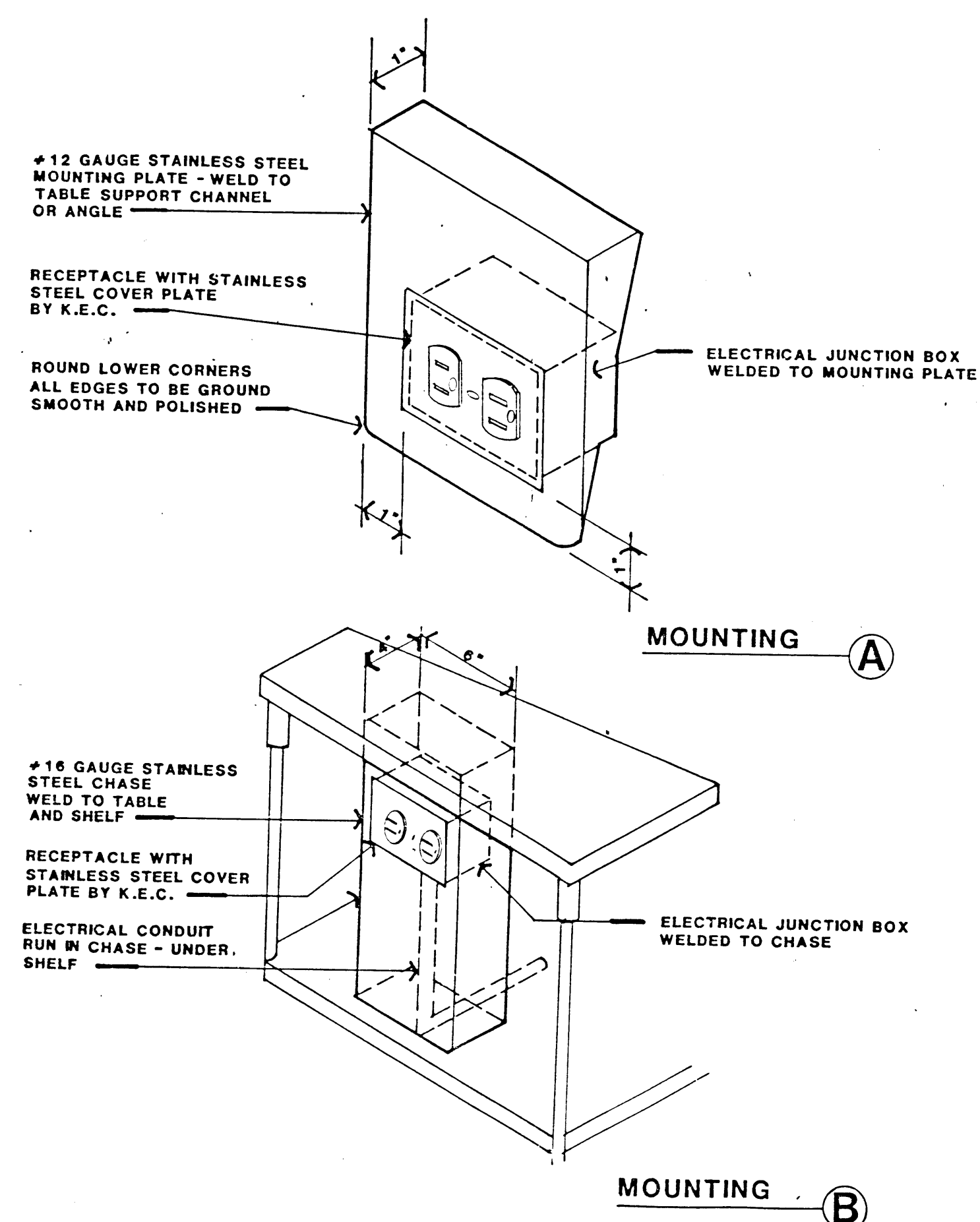
DISHTABLE QUICK DRAIN — SD-14



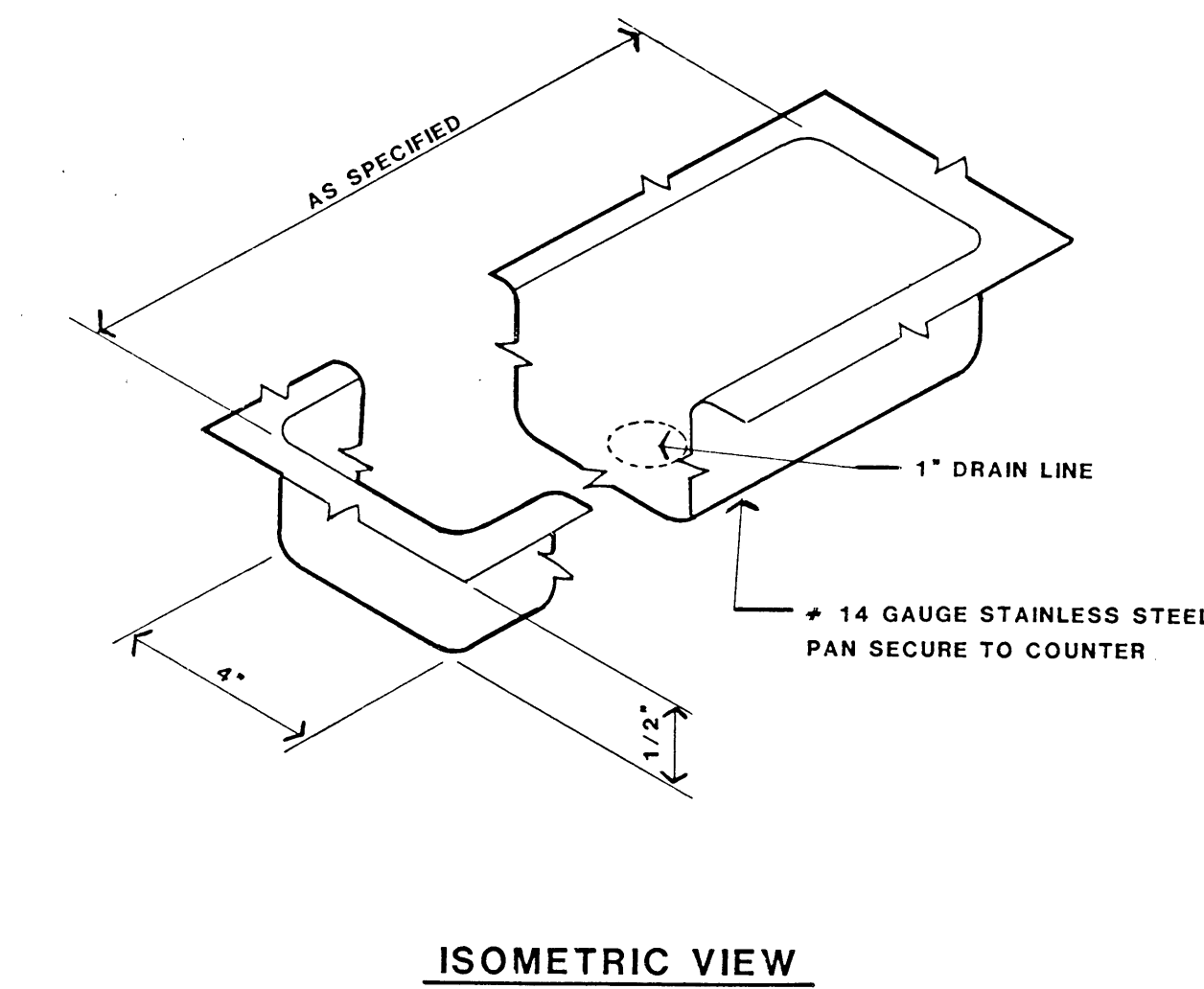
SINK/RACK SLIDE DETAILS — SD-15



SWITCH BRACKET DETAILS — SD-18



OUTLET DETAILS — SD-19



DRIP TROUGH DETAIL — SD-20

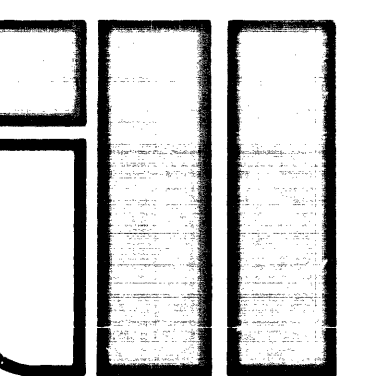
WC&A

WILLIAM CARUSO & ASSOCIATES
ARCHITECTS AND ENGINEERS
1000 WEST ASHBOURN BOULEVARD
SUITE 100
LAS VEGAS, NEVADA 89115

11/15/90

CITY OF LAS VEGAS
DETENTION FACILITY EXPANSION

Domingo Camberino Corporation



STANDARD
FABRICATION
DETAILS

K2.2

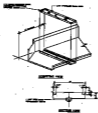
130 of 163

513-55X

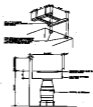
15-286



CLEAN SINKABLE — (30-1)



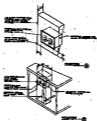
SINKABLE QUICK DRAIN — (30-14)



SINK/BACK BLADE DETAILS — (30-2)



SWITCH BRACKET DETAILS — (30-13)



OUTLET DETAILS — (30-15)



DRIP TROUGH DETAIL — (30-20)

WC&A

W. C. & A. COMPANY
INCORPORATED
1000 P STREET, N.W.
WASHINGTON, D.C. 20004

CITY OF LAS VEGAS
ENTERTAINMENT FACILITY EXPANSION

Developed by
Dowling Corbett & Co., Inc.



REG.
2000