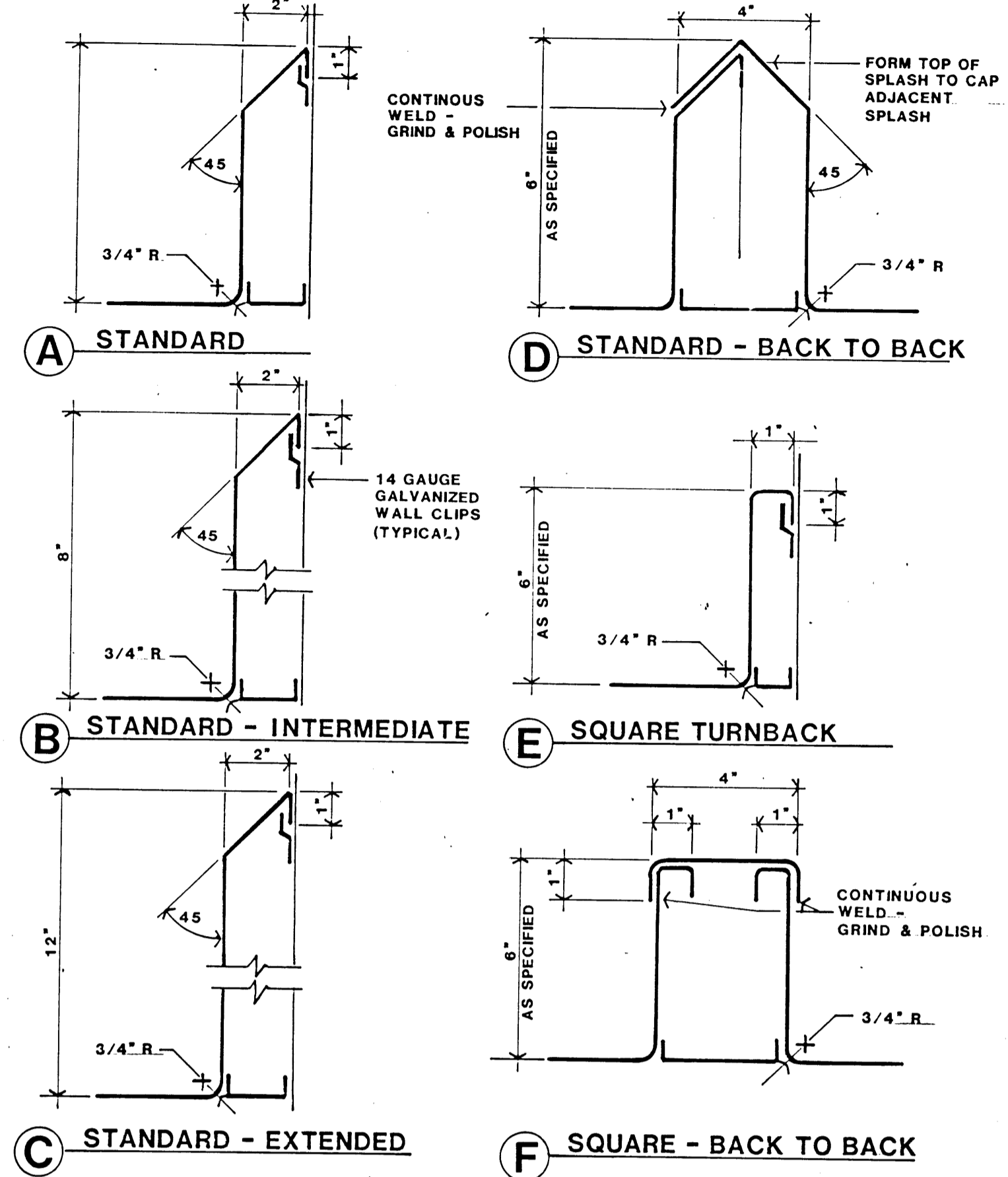
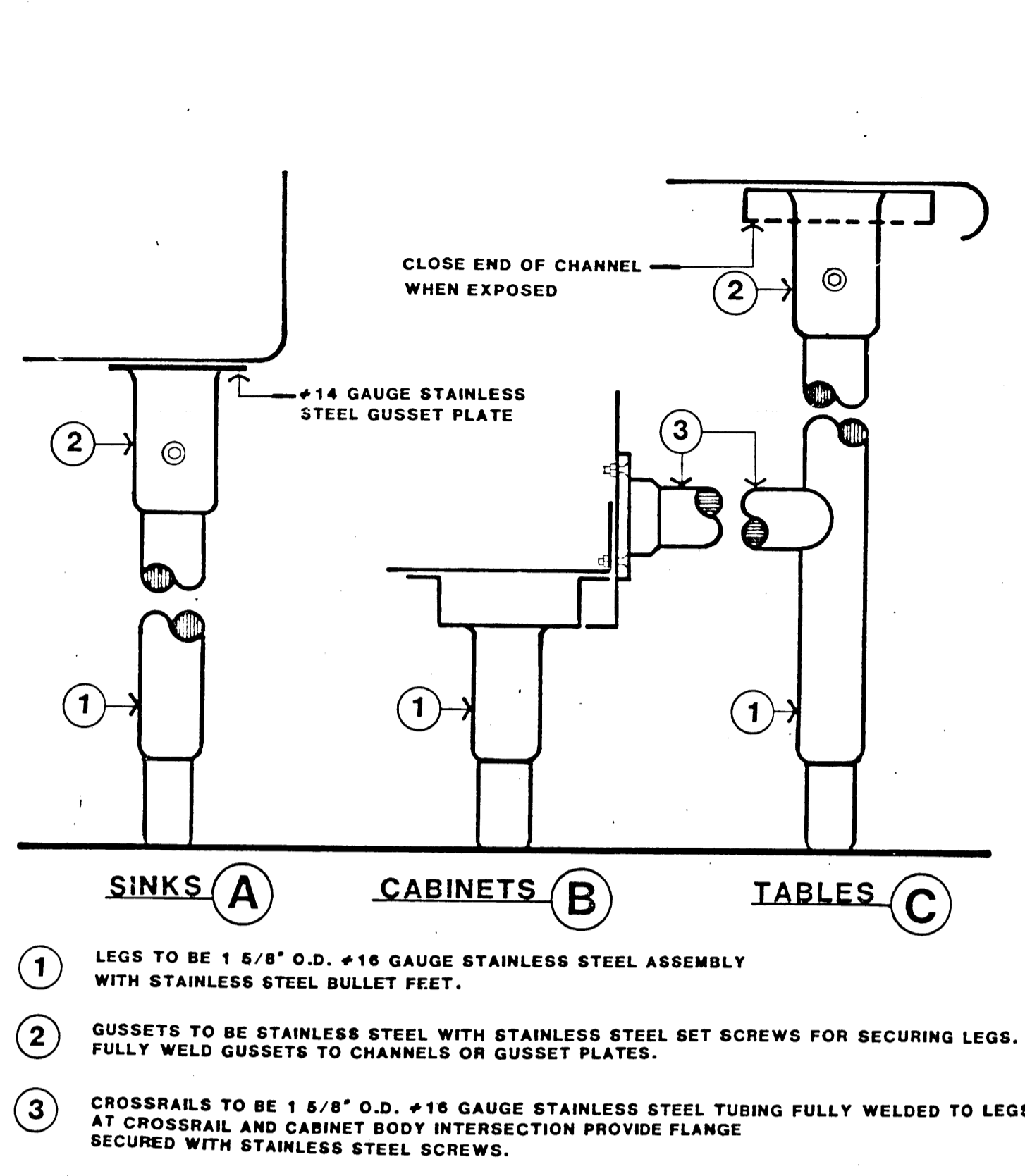


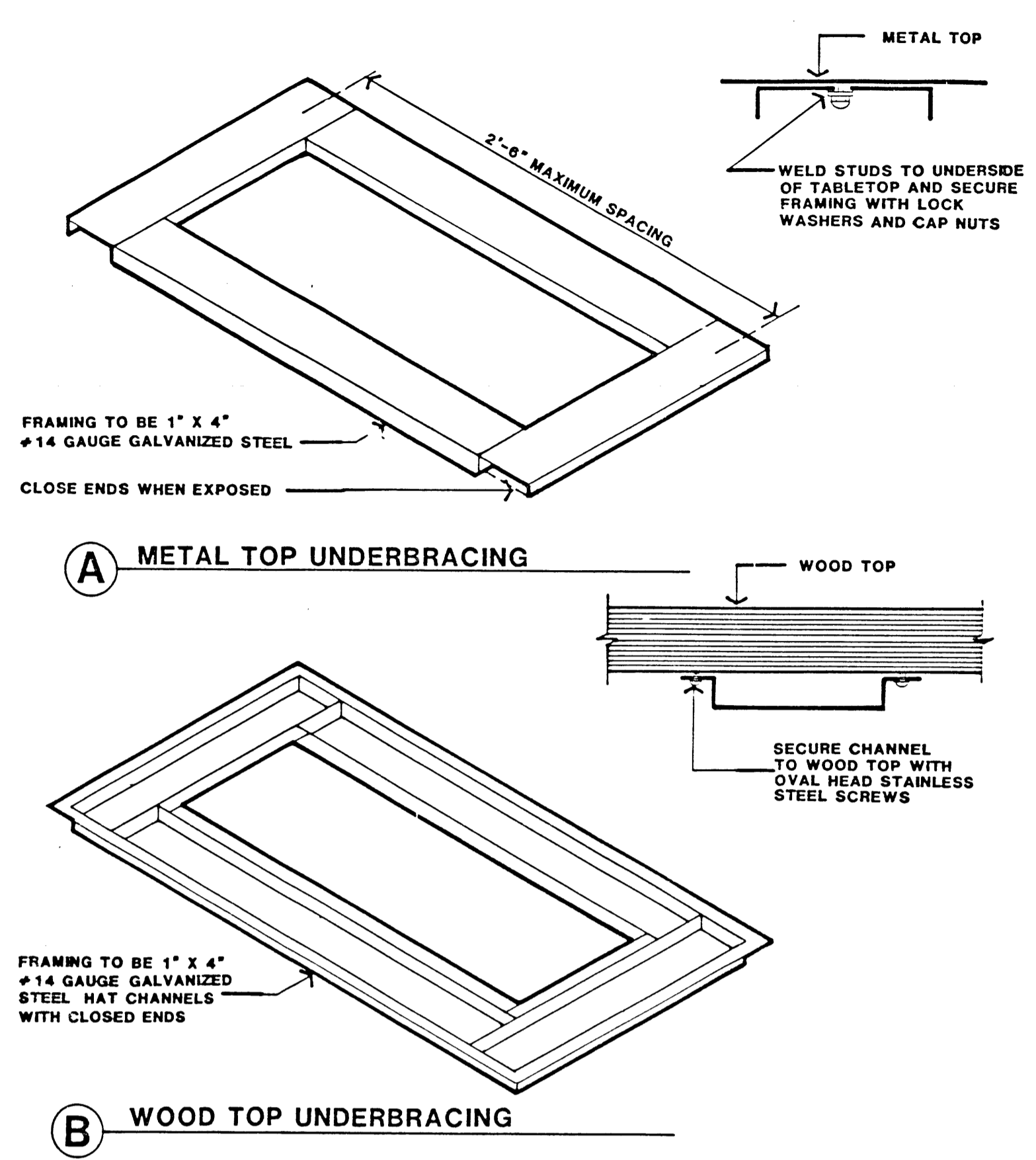
TABLE EDGES — SD-1



BACKSPLASHES — SD-2



LEG DETAILS — SD-3



UNDERBRACING — SD-4

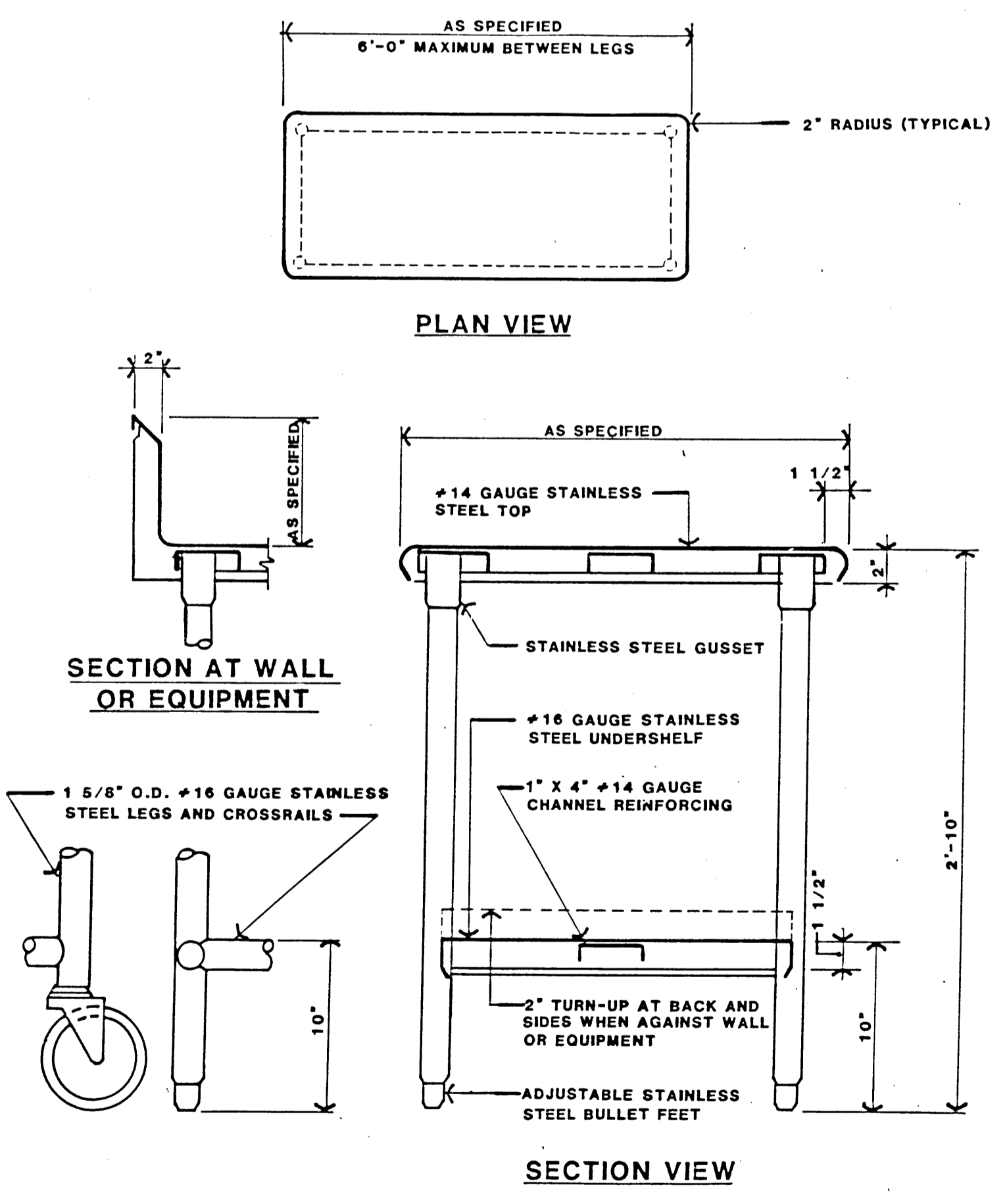


TABLE DETAILS — SD-5

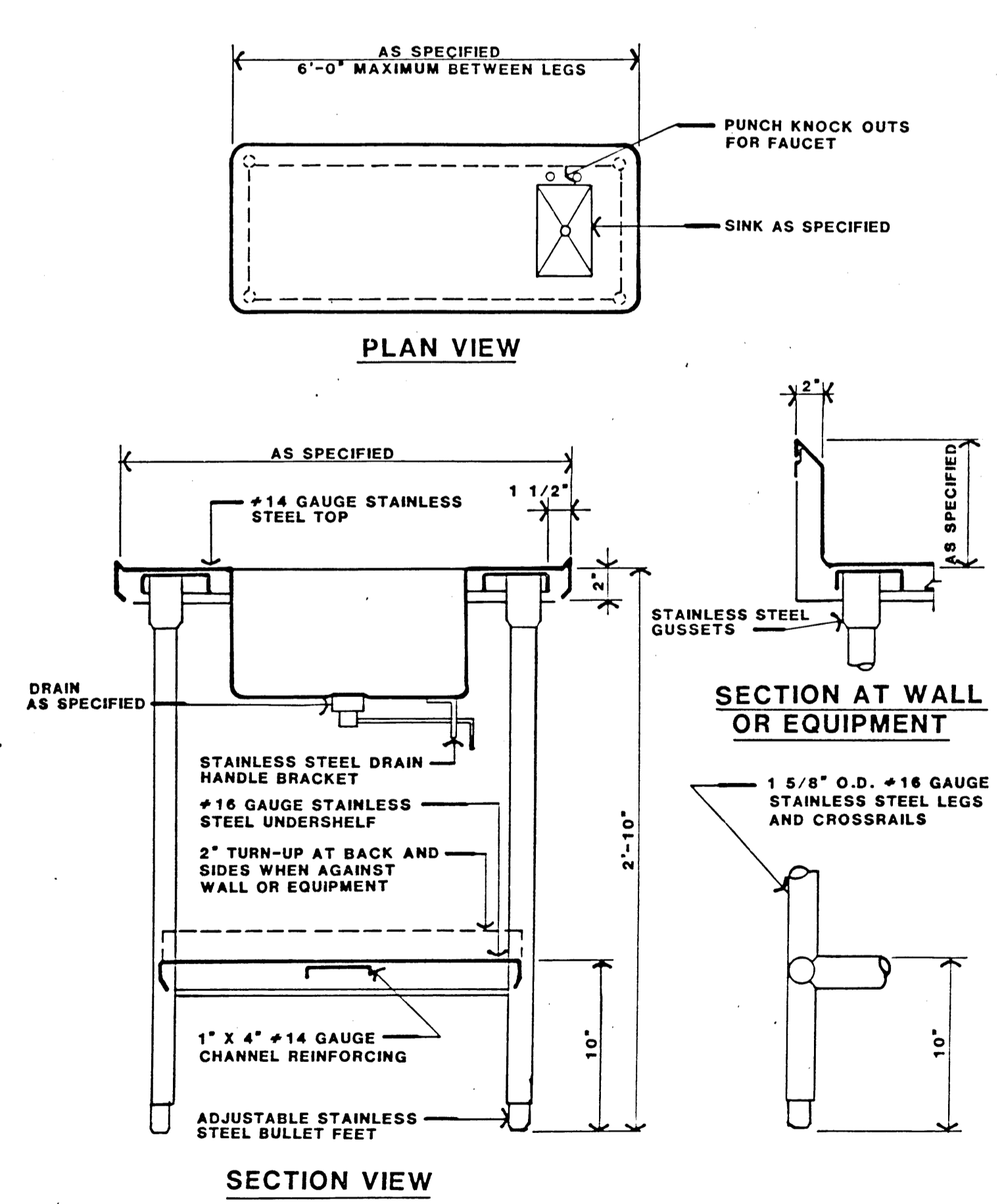
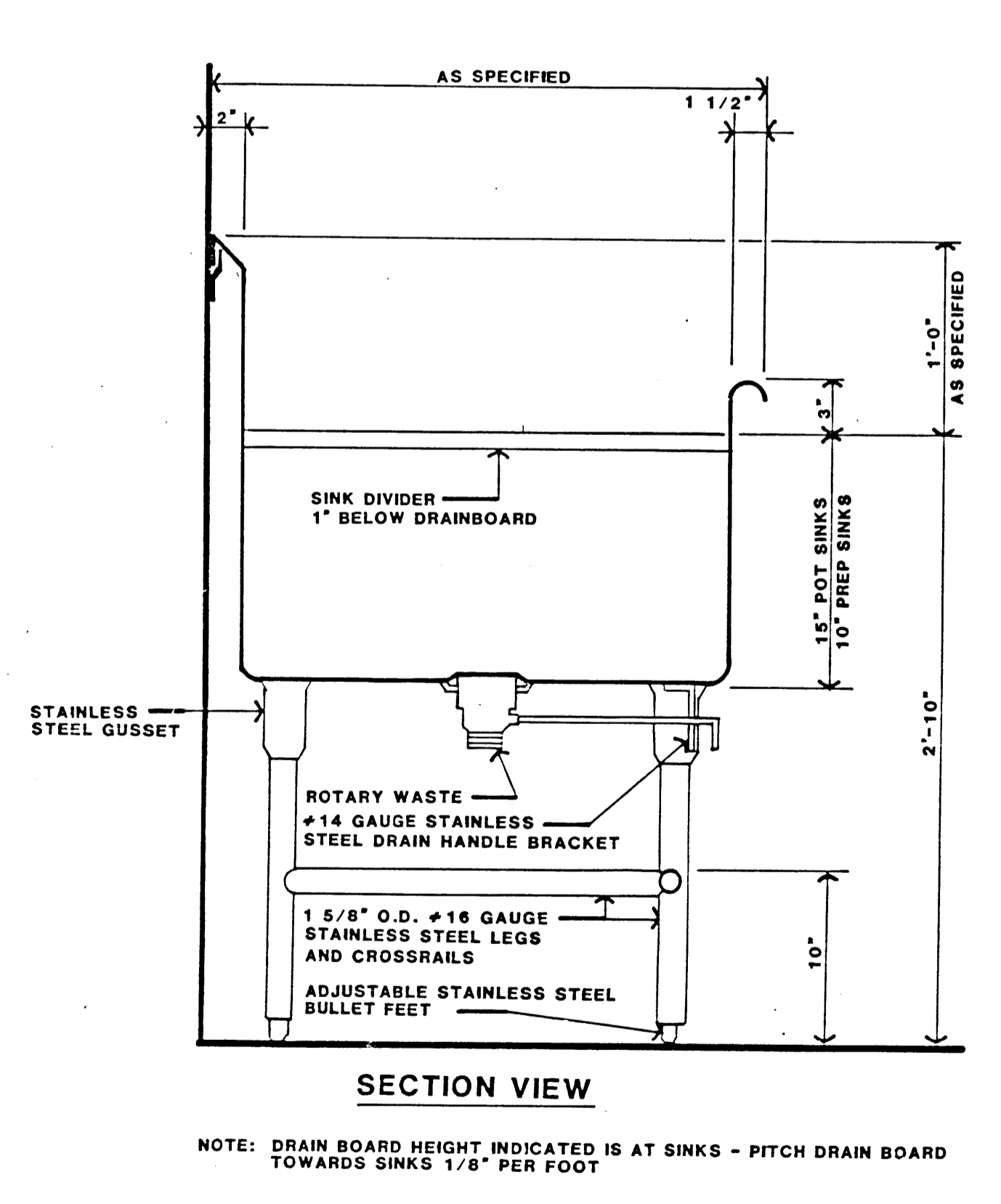
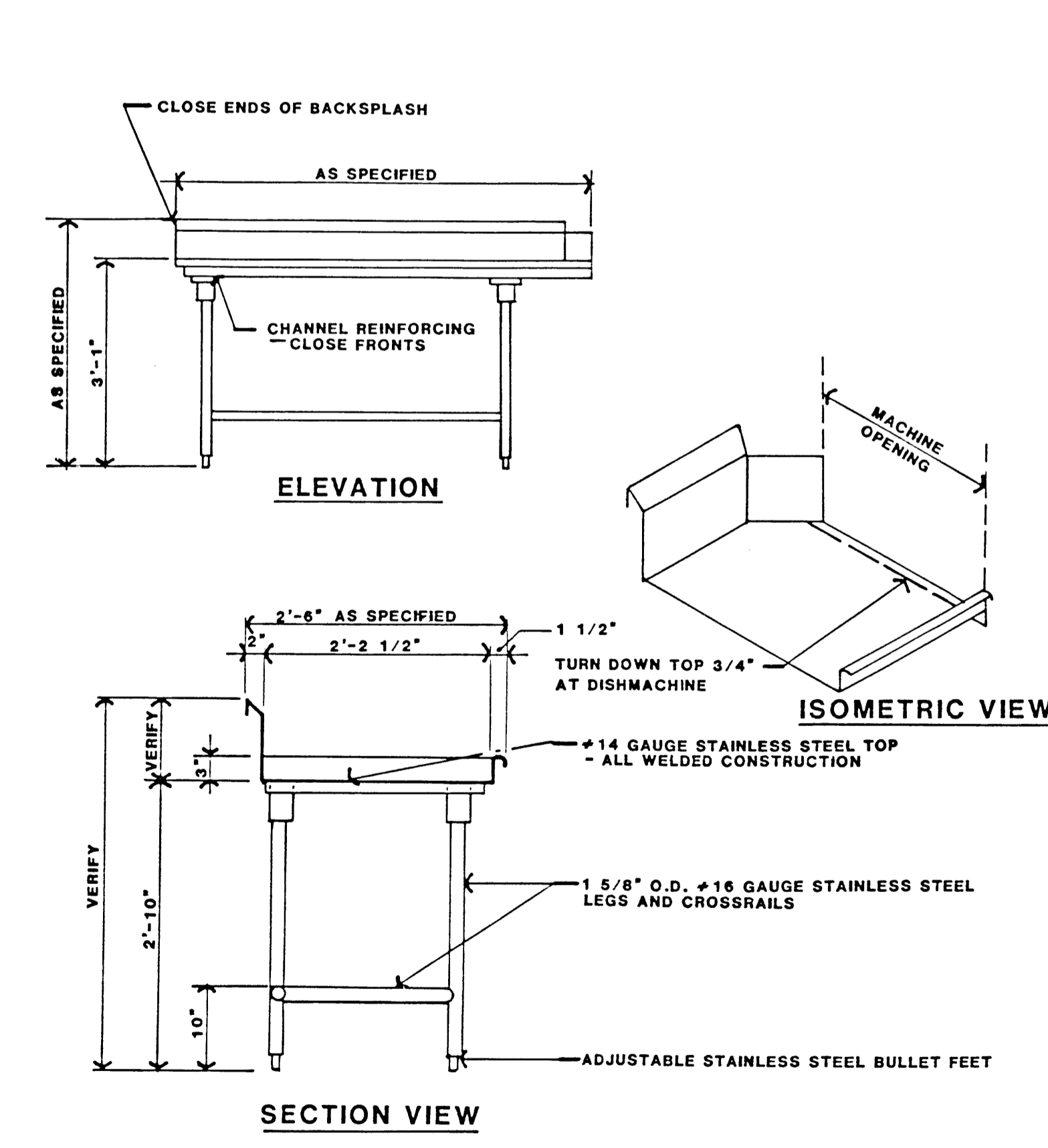


TABLE WITH SINK DETAILS — SD-6



POTWASHING SINK DETAILS — SD-7



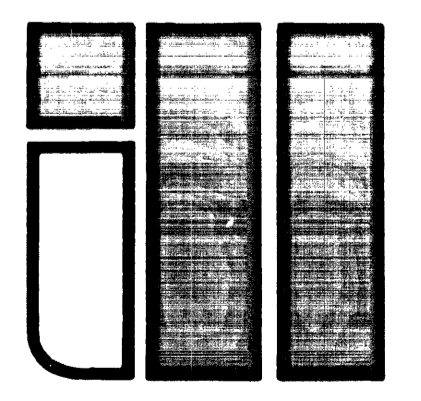
SOILED DISHTABLE — SD-10

WC&A
 WILLIAM CARUSO & ASSOCIATES
 ADVISORS AND PLANNERS
 1000 SOUTH WASHINGTON SQUARE
 SUITE 100
 ANAHEIM, CALIFORNIA 92805

11/15/90

CITY OF LAS VEGAS
 DETENTION FACILITY EXPANSION

Domingo Camberio Corporation



STANDARD
 FABRICATION
 DETAILS

K2.1
 129 of 163

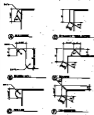
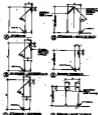


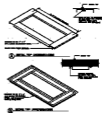
TABLE EDGES — SD-1



BACKSPASHES — SD-2



LED DETAILS — SD-3



UNDERBRACING — SD-4

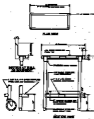


TABLE DETAILS — SD-5

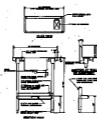
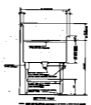
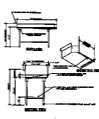


TABLE WITH SINK DETAILS — SD-6



POSTWIRING SINK DETAILS — SD-7



BOILED DISH TABLE — SD-8

WC&A
WILLIAMS
CARRUTHERS
& ASSOCIATES

CITY OF LAS VEGAS
DETENTION FACILITY EXPANSION

Deming Caruthers Corporation



1000
1000
1000