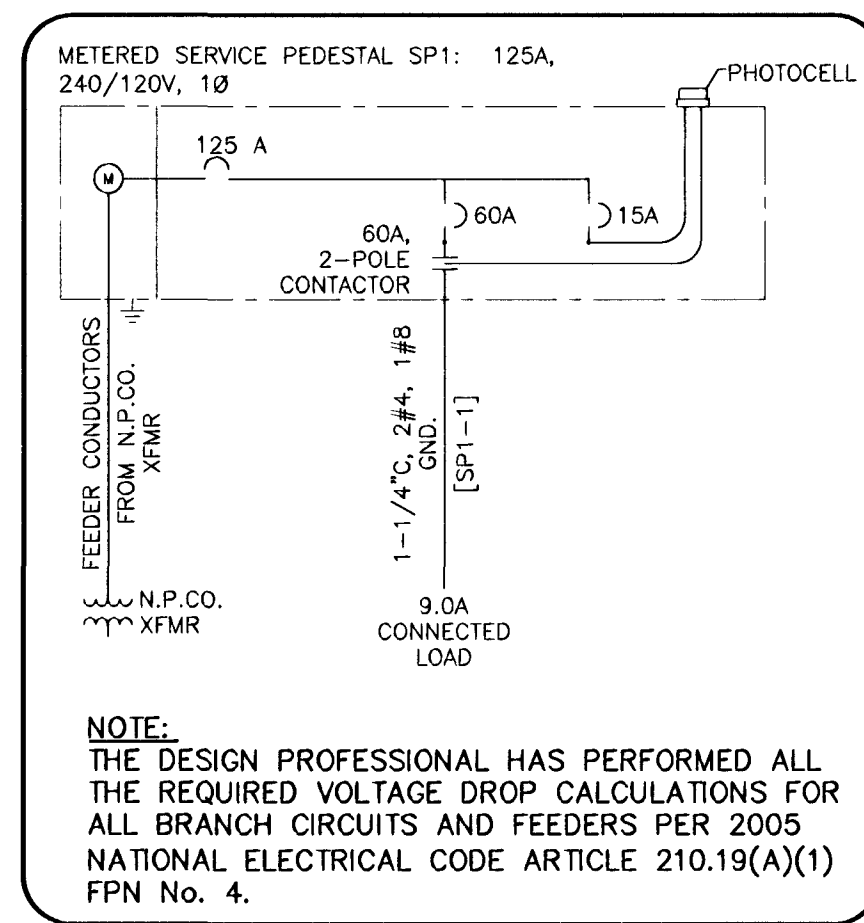


**LEGEND**

- NEW STREETLIGHT CONDUIT
- - - EX. STREETLIGHT CONDUIT
- NEW STREETLIGHT SERVICE PEDESTAL
- EX. STREETLIGHT SERVICE PEDESTAL
- NEW SINGLE STREETLIGHT
- NEW DOUBLE STREETLIGHT
- EXISTING STREETLIGHT
- FUTURE STREETLIGHT
- NEW PULL BOX
- EXISTING PULL BOX
- SVZ SIGHT VISIBILITY ZONE
- STOP R1-1 (30")
- R7-1APR (24"x30")
- R2-1 (18"x18")
- 0" LIP DRIVEWAY

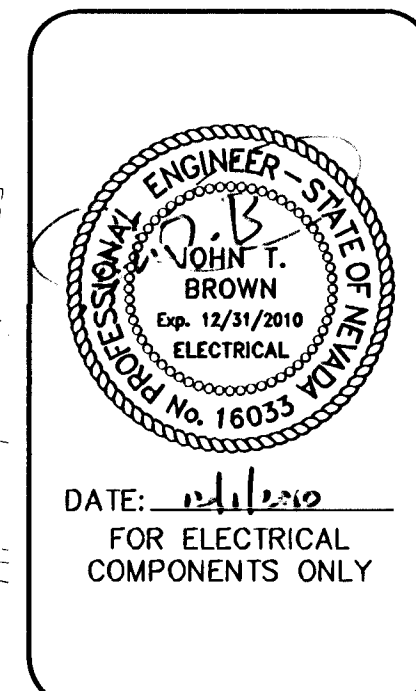


**GENERAL ELECTRICAL NOTES:**

- ALL UNDERGROUND CONDUIT SHALL BE TYPE RNC (RIGID NONMETALLIC CONDUIT), SCHEDULE 40 PVC AND SHALL BE INSTALLED PER USD 404.1419 AND 501. ABOVE GRADE CONDUIT SHALL BE TYPE RMC (RIGID METALLIC CONDUIT). CONDUIT RISERS SHALL BE TYPE RMC WITH PVC COATING OR TAPE WRAP. ALL CONDUIT WHICH WOULD OTHERWISE BE EMPTIED SHALL INCLUDE A NYLON PULLSTRING AND 1#8 FOR LOCATING PURPOSES.
- ALL CONDUCTORS SHALL BE STRANDED, 600-VOLT, TYPE THW INSULATED COPPER.
- THE ELECTRICAL CONTRACTOR SHALL FURNISH AND INSTALL ALL ELECTRICAL COMPONENTS AND HARDWARE AS REQUIRED BY THE NATIONAL ELECTRICAL CODE, LATEST EDITION AND SHALL COMPLY WITH THE REQUIREMENTS OF THE INSPECTING AUTHORITY HAVING JURISDICTION.

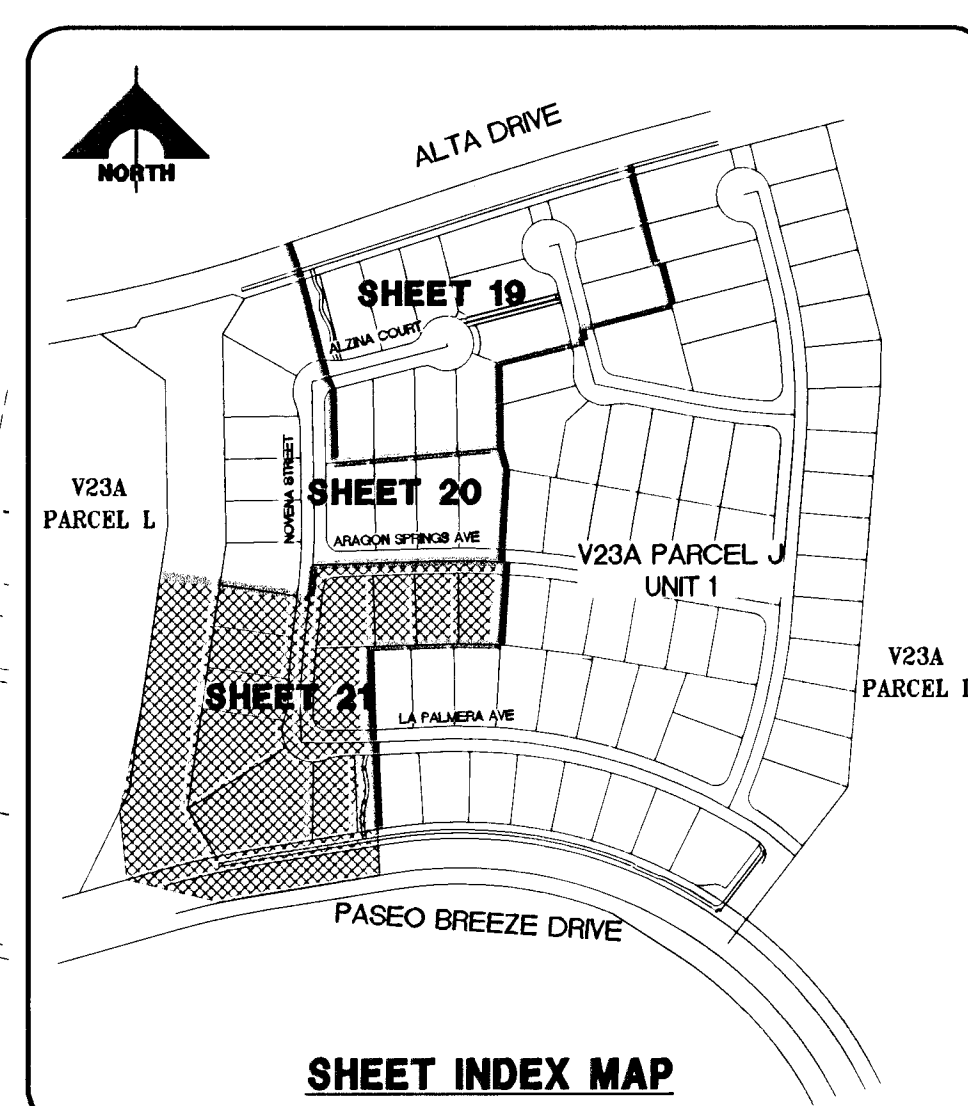
FOR EX. IMPROVEMENTS, SEE:  
IMPROVEMENT PLANS FOR BARCELONA - UNIT 1 @ THE PASEOS VILLAGE 23A by CARTER BURCESS CLV # 107Y4805

FOR EXISTING IMPROVEMENTS, SEE:  
THE PASEOS - VILLAGE 23A UNIT 1 IMPROVEMENTS by G.C. WALLACE, INC. JOB # 62023.221, CLV # 107-V3574-1



**SERVICE PEDESTAL CIRCUIT CAPACITY VERIFICATION**

CIRCUIT NAME:	SP1-1
CIRCUIT TYPE:	STREET LIGHTING (PROPOSED)
VOLTAGE:	240
CIRCUIT CAPACITY:	60
MAXIMUM CONTINUOUS CURRENT DRAW IS 80% OF CIRCUIT CAPACITY:	48
EXISTING CIRCUIT LOAD AMPS =	6.00
PROPOSED LOAD TO CIRCUIT:	PROPOSED
100 WATT SINGLE LUMINAIRES AT 240V = 0.50 AMPS	QTY. AMPS
150 WATT TWIN LUMINAIRES AT 240V = 0.75 AMPS	7 3.50
250 WATT SINGLE LUMINAIRES AT 240V = 1.25 AMPS	0 0.00
250 WATT TWIN LUMINAIRES AT 240V = 2.50 AMPS	0 0.00
TOTAL PROPOSED LOAD AMPS =	3.50
EXISTING PLUS PROPOSED LOAD AMPS =	9.50
REMAINING AVAILABLE LOAD AMPS: MAXIMUM-EXISTING-PROPOSED =	38.50



**ELECTRICAL SERVICE NOTES**

SP1: EXISTING 125 AMP, SINGLE PHASE, 3 WIRE, 120/240 V PAD MOUNTED SERVICE PEDESTAL.  
SEE: BARCELONA THE PASEOS PARCEL J SUMMERLIN V23A CLV DRAWING NO. 107Y4805

**SIGHT ZONE NOTE**

NOTHING OVER 24" IN HEIGHT IN SIGHT ZONE EXCEPT TRAFFIC CONTROL DEVICES.

**BENCHMARK**

CITY OF LAS VEGAS BENCHMARK OLVO9 36NW66 RIVET & PLATE IN TOP OF CURB RETURN @ NW CORNER OF PAVILLION CENTER & ALTA. 3024.16 FEET OR 921.767 METERS NAVD 1988 DATUM

**BASIS OF BEARINGS**

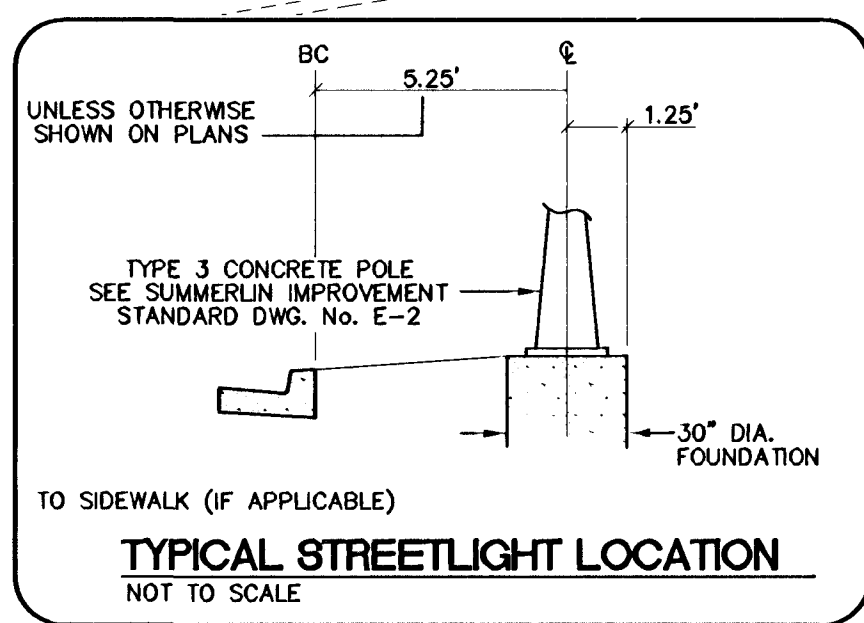
NORTH 05° 59' 55" WEST BEING THE BEARING OF THE WEST LINE OF SECTION 34, T 20 S, R 59 E, M.D.M., CITY OF LAS VEGAS, CLARK COUNTY, NEVADA, AS SHOWN BY MAP THEREOF ON FILE IN FILE 91, PAGE 28 OF PARCEL MAPS IN THE CLARK COUNTY RECORDERS OFFICE, CLARK COUNTY, NEVADA.

**LEGAL DESCRIPTION**

BEING A SUBDIVISION OF A PORTION OF PARCEL 1 AS SHOWN BY MAP THEREOF ON FILE IN FILE 91, PAGE 28 OF PARCEL MAPS IN THE COUNTY RECORDER'S OFFICE, CLARK COUNTY, NEVADA, LYING WITHIN SECTION 34, TOWNSHIP 20 SOUTH, RANGE 59 EAST, AND THE NORTH HALF (N 1/2) OF THE NORTH HALF (N 1/2) OF SECTION 3, TOWNSHIP 21 SOUTH, RANGE 59 EAST, M.D.M., CITY OF LAS VEGAS, CLARK COUNTY, NEVADA  
107Y4805-2

**TRAFFIC CONSTRUCTION NOTES**

- INSTALL 2- 9" STREET NAME SIGNS (D3) PER USD 250 AND 30" STOP SIGN (R1-1)
- INSTALL 2- 9" STREET NAME SIGNS (D3) PER USD 250
- INSTALL 25 MPH SPEED LIMIT SIGN (R2-1)
- INSTALL "NO PARKING" SIGN (R7-1APR)



**STREETLIGHT CONSTRUCTION NOTES**

- SERVICE PEDESTAL SP1. REFER TO ELECTRICAL SERVICE NOTES.
- PROPOSED NO. 3-1/2 PULLBOX PER USD 326.
- PROPOSED 1-1/4" CONDUIT CONTAINING 2#4, 1#8 GND. [CIRCUIT A]
- TIE TO EXISTING 1-1/4" CONDUIT STUB OUT.
- EXTEND CONDUCTORS TO NEXT EXISTING STREETLIGHT.
- PROPOSED 1-1/4" CONDUIT ONLY.
- SUMMERLIN TYPE 3B STREETLIGHT PER SSD E-1.

**STREETLIGHT QUANTITIES**

250 W SINGLE STREETLIGHT (PUBLIC)	0 EA
100 W SINGLE STREETLIGHT (PRIVATE)	7 EA
1-1/4" STREETLIGHT CONDUIT	1560 LF
No. 3-1/2 PULL BOX	1 EA
200 AMP STREETLIGHT SERVICE POINT	0 EA



**ENGINEER**  
STATE OF NEVADA  
JOHN T. BROWN  
No. 16033  
DATE: 12/1/10

**PROJECT NO.** 62023-970  
**DESIGN:** 7/9/07  
**DRAWN:** 10/26/11  
**CHECKED:** 11/08/10  
**PLOT TIME:** 14:49:12

**G.C. WALLACE COMPANIES**  
ENGINEERS | PLANNERS | SURVEYORS  
1555 S. RAINBOW BOULEVARD, LAS VEGAS, NV 89106  
T: 702.264.2000 F: 702.264.2299 GCWALLACE.COM

**THE HOWARD HUGHES CORPORATION**  
SUMMERLIN VILLAGE 23A PARCEL J UNIT 2  
BARCELONA

**STREETLIGHT AND TRAFFIC CONTROL PLAN 3**

DRAWING  
**21**  
21 OF 23 SHTS

1-702-603-1111