

LEVEL FLOAT SWITCH INSTALLATION

NOT TO SCALE

1
ED2

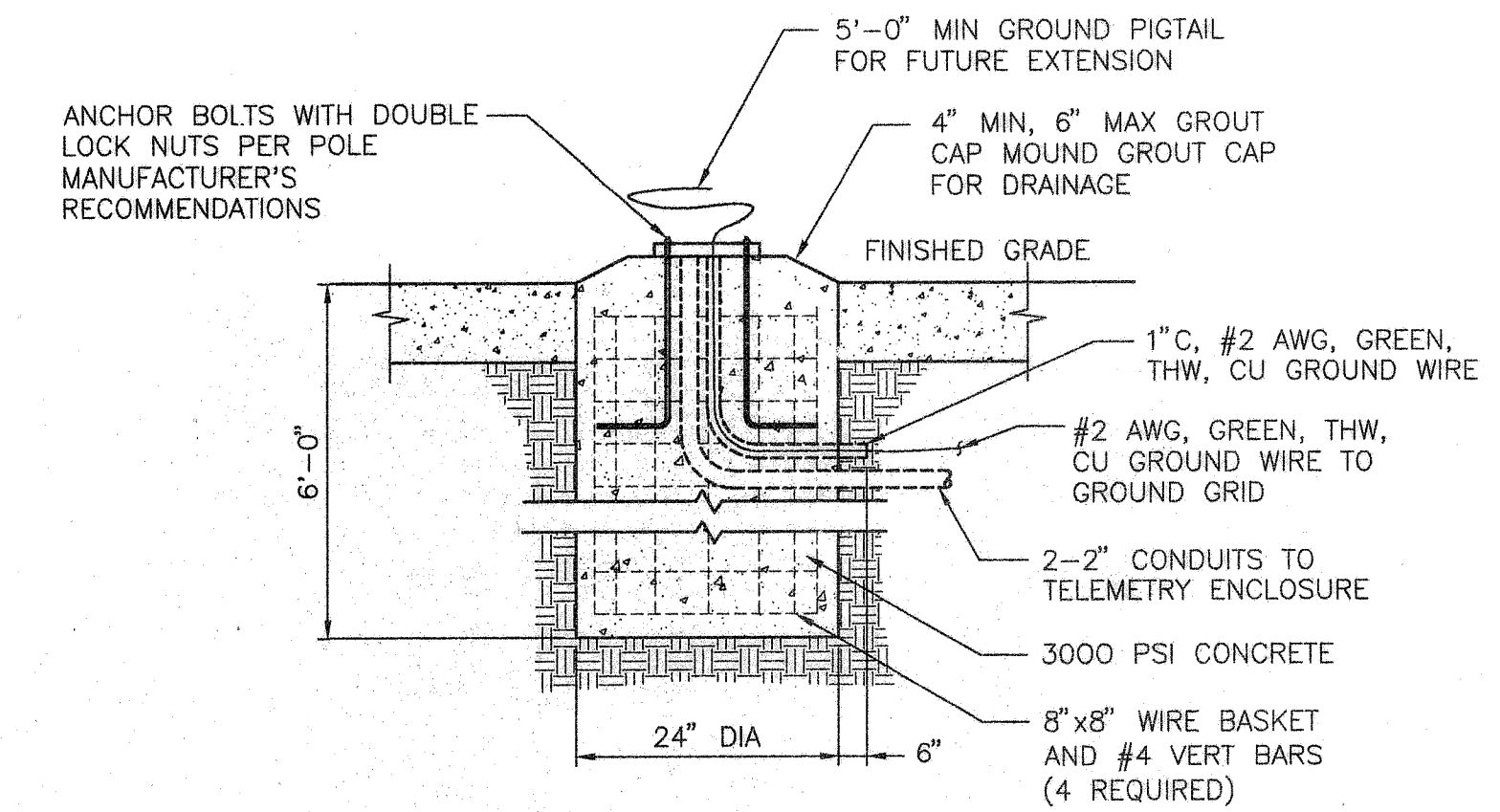
LVVWD ELECTRICAL SERVICE PEDESTAL SCHEDULE											
PANEL NO. <u>P1</u> MAINS <u>125</u> MAIN BKR <u>125</u> SURFACE <input type="checkbox"/> FLUSH <input type="checkbox"/> INDOOR <input type="checkbox"/> OUTDOOR <input checked="" type="checkbox"/>											
VOLTS <u>120/240</u> PHASE <u>1</u> WIRE <u>3</u> GROUND <u>SOLID CU</u> NEUTRAL <u>FULL S/N</u>											
MIN KAIC <u>10</u> RMS SYM DOOR: HINGED <input type="checkbox"/> DOOR-IN-DOOR <input type="checkbox"/> LATCH/LOCK <input type="checkbox"/> SVC ENT <input checked="" type="checkbox"/>											
BUS: ALUM. <input type="checkbox"/> COPPER <input checked="" type="checkbox"/> BREAKERS: SLIP-ON <input type="checkbox"/> BOLT-ON <input checked="" type="checkbox"/> SITE LOCATION _____											
DESCRIPTION	WATTS	L1	L2	BKR	POLE	POLE	BKR	WATTS	L1	L2	DESCRIPTION
PLC POWER	180			15	1	2	20	1440			MOV
PLC RECEPTACLES			720	20	3	4	2	1440			
SPARE				15	5	6	20				SPARE
SPARE				15	7	8					SPARE
SPACE						10					SPACE
SPACE						12					SPACE
	180		720					1440		1440	

TOTAL AMPS= 19.7A (15.8A + 25%)

PANELBOARD SCHEDULE

NOT TO SCALE

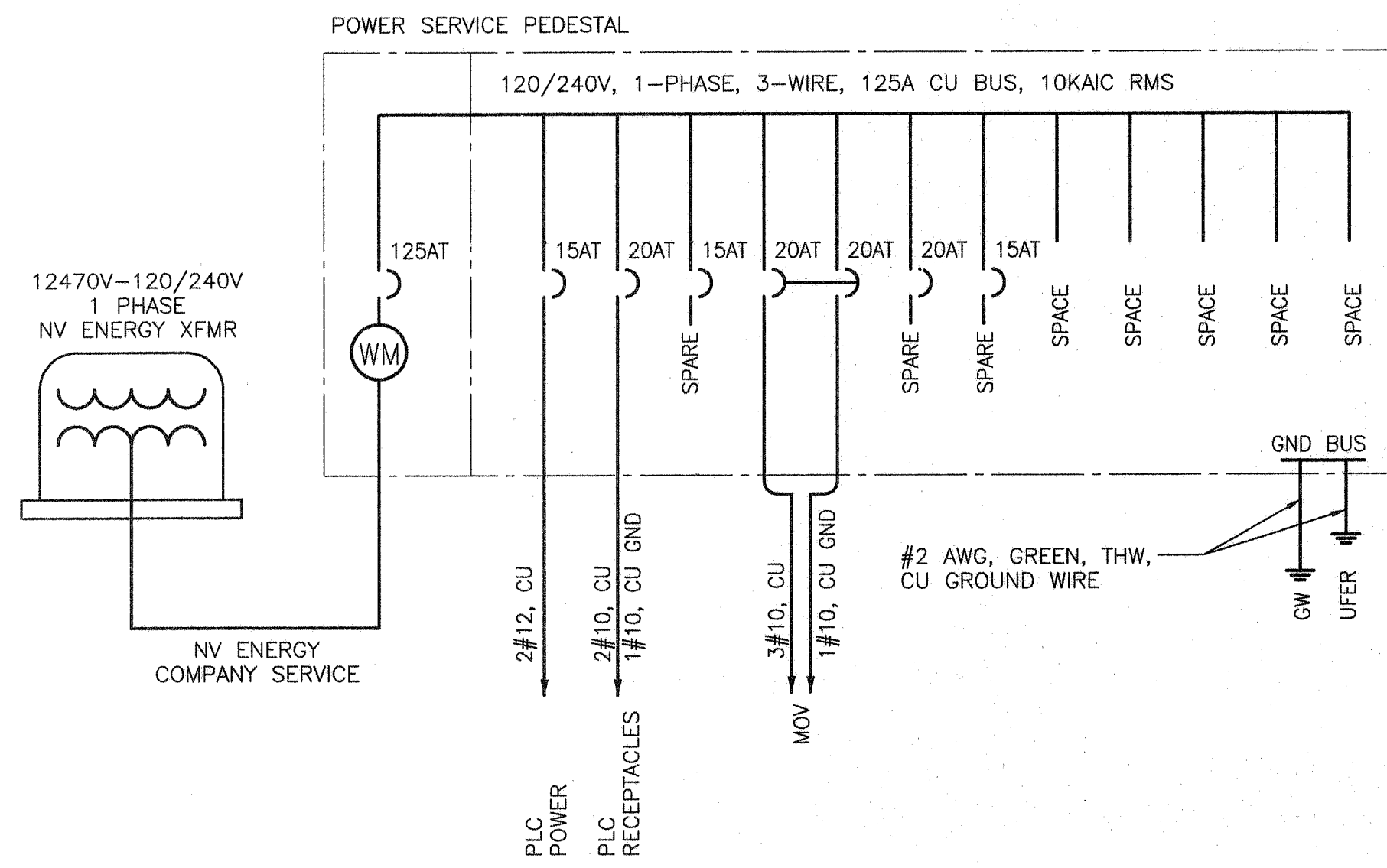
2
ED2



ANTENNA BASE DETAIL

NOT TO SCALE

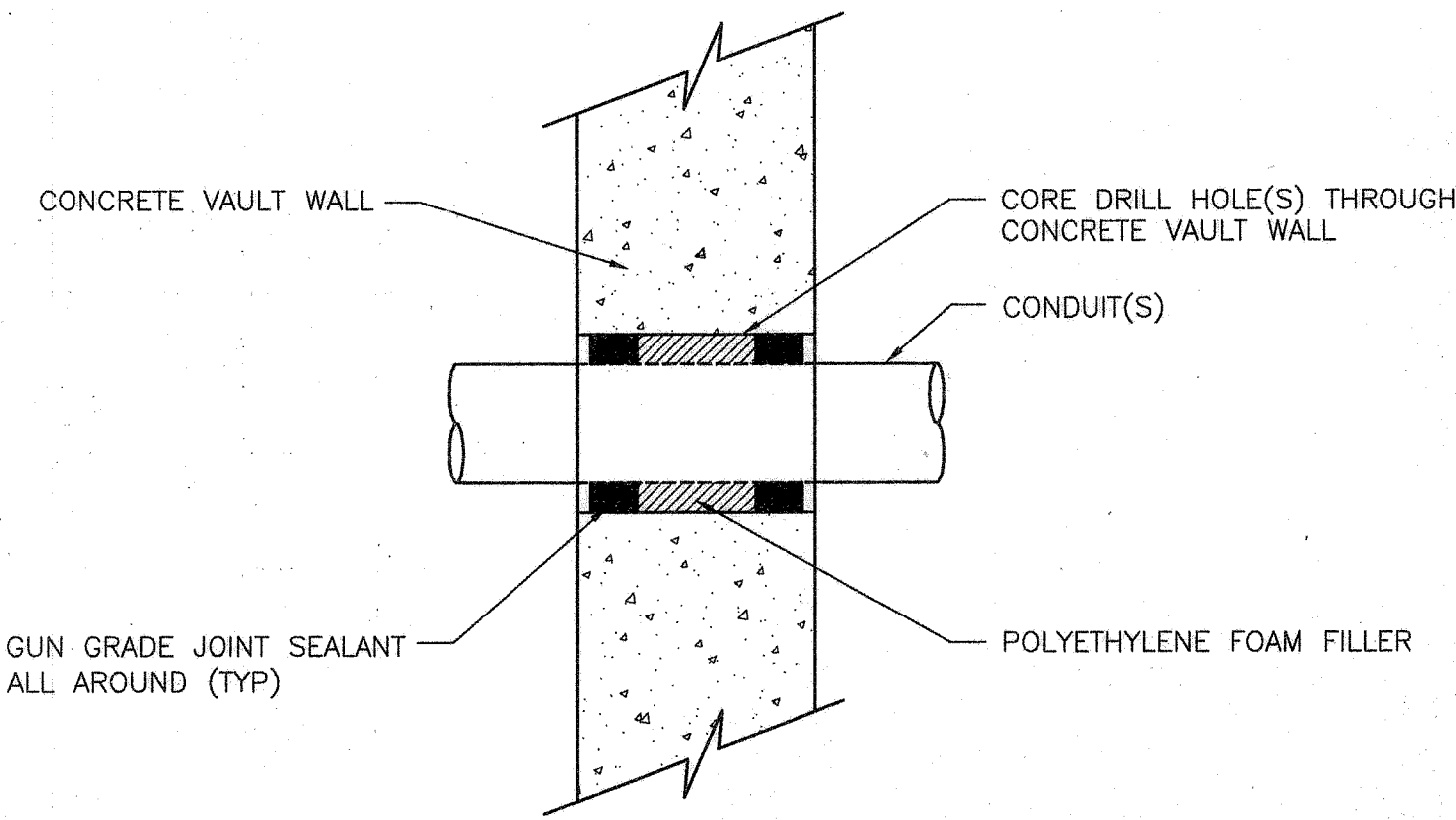
3
ED2



ONE-LINE DIAGRAM

NOT TO SCALE

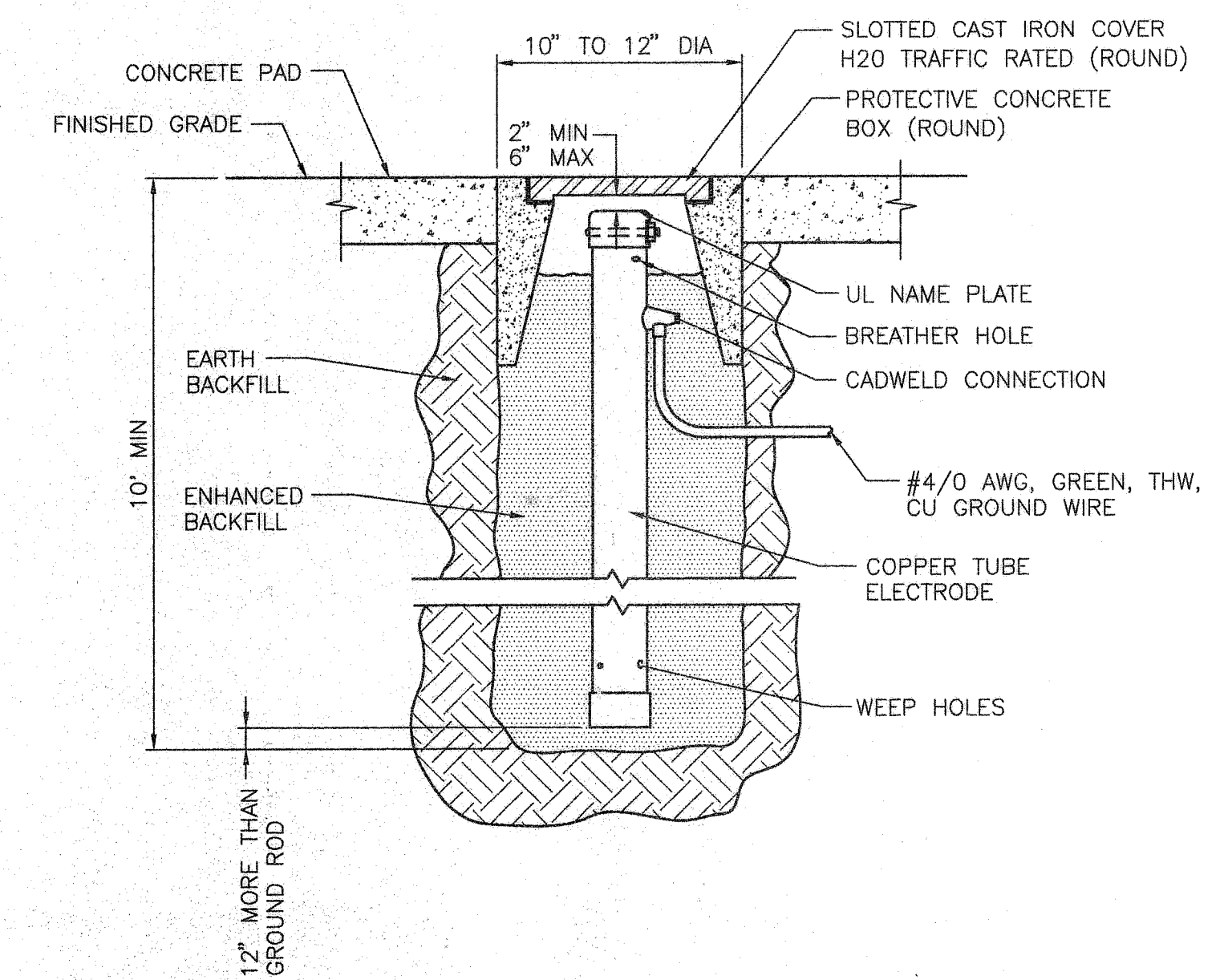
4
ED2



VAULT WALL CONDUIT PENETRATION DETAIL

NOT TO SCALE

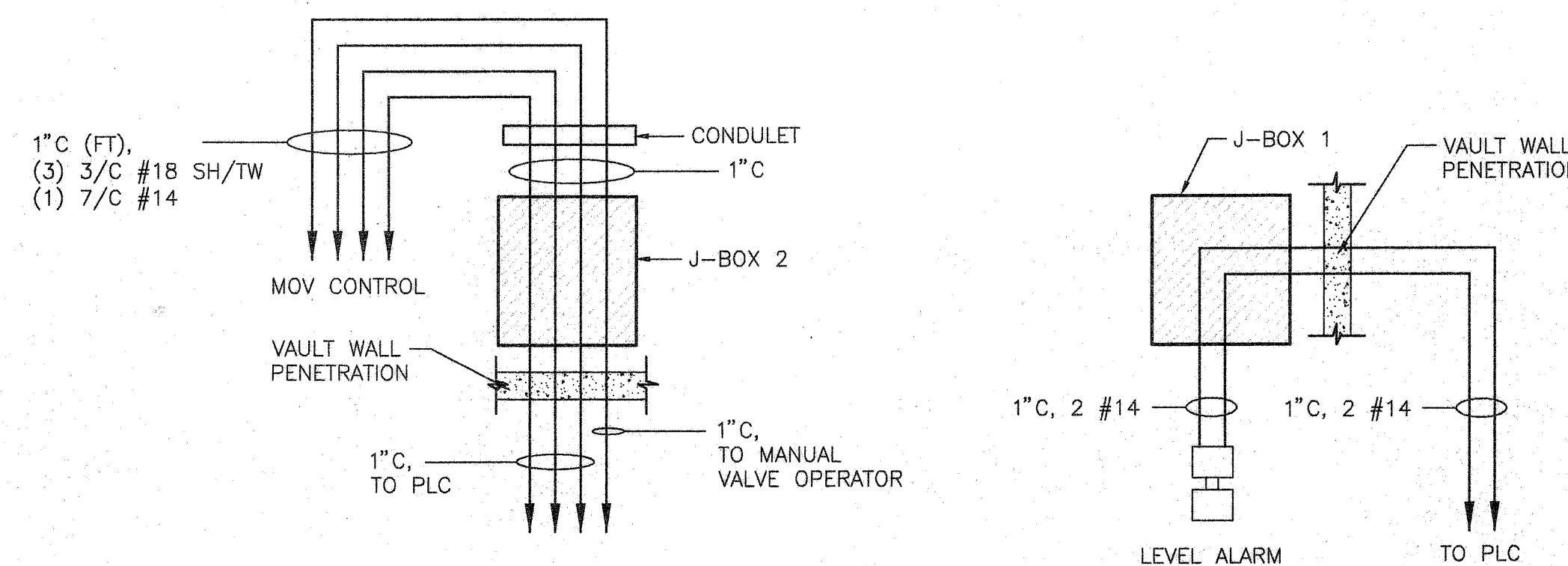
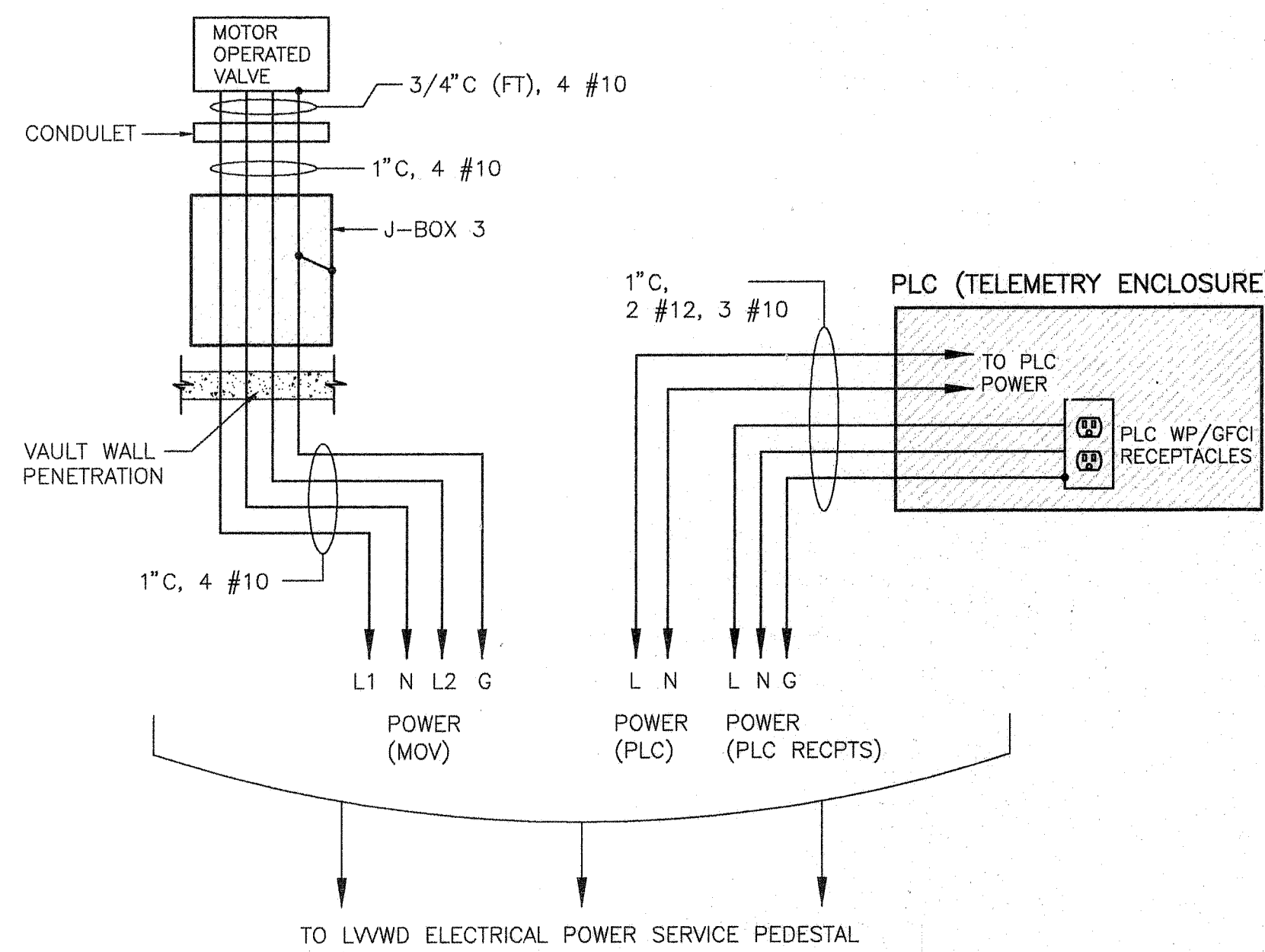
5
ED2



GROUNDWELL DETAIL

NOT TO SCALE

6
ED2



LEGEND:

FT - FLEX TIGHT CONDUIT

NOTES:

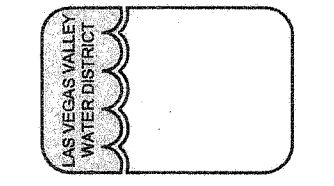
- ALL CONNECTIONS USE TERMINAL BLOCKS AND RINGTYPE TERMINALS.
- ALL J-BOX SCREW COVERS W/RUBBER GASKETS, NEMA 4 & 4X.

WIRING DIAGRAM

NOT TO SCALE

7
ED2

LAS VEGAS VALLEY WATER DISTRICT
1001 S. VALLEY VIEW BOULEVARD
LAS VEGAS, NEVADA 89153
(702) 970-5011



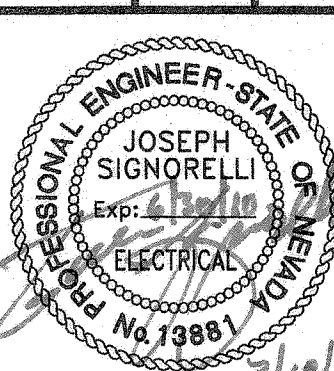
VERIFY SCALE
1/2" = 1'
0 1/2 1

BAR REPRESENTS ONE AND ONE-HALF INCHES ON ORIGINAL

CHEYENNE 2975 ZONE MOTOR OPERATED VALVES

ELECTRICAL DETAILS II

DRAWN BY: J. SIGNORELLI
CHECKED BY: J. SIGNORELLI
RECOMMENDED BY: RYAN PEARSON
ACCEPTED BY: PETER J. JAUCH



CONTRACT NUMBER

C1280
DRAWING NUMBER ED2
SHEET 15 OF 22

H#36700

CLV DWG # 565-476

125828