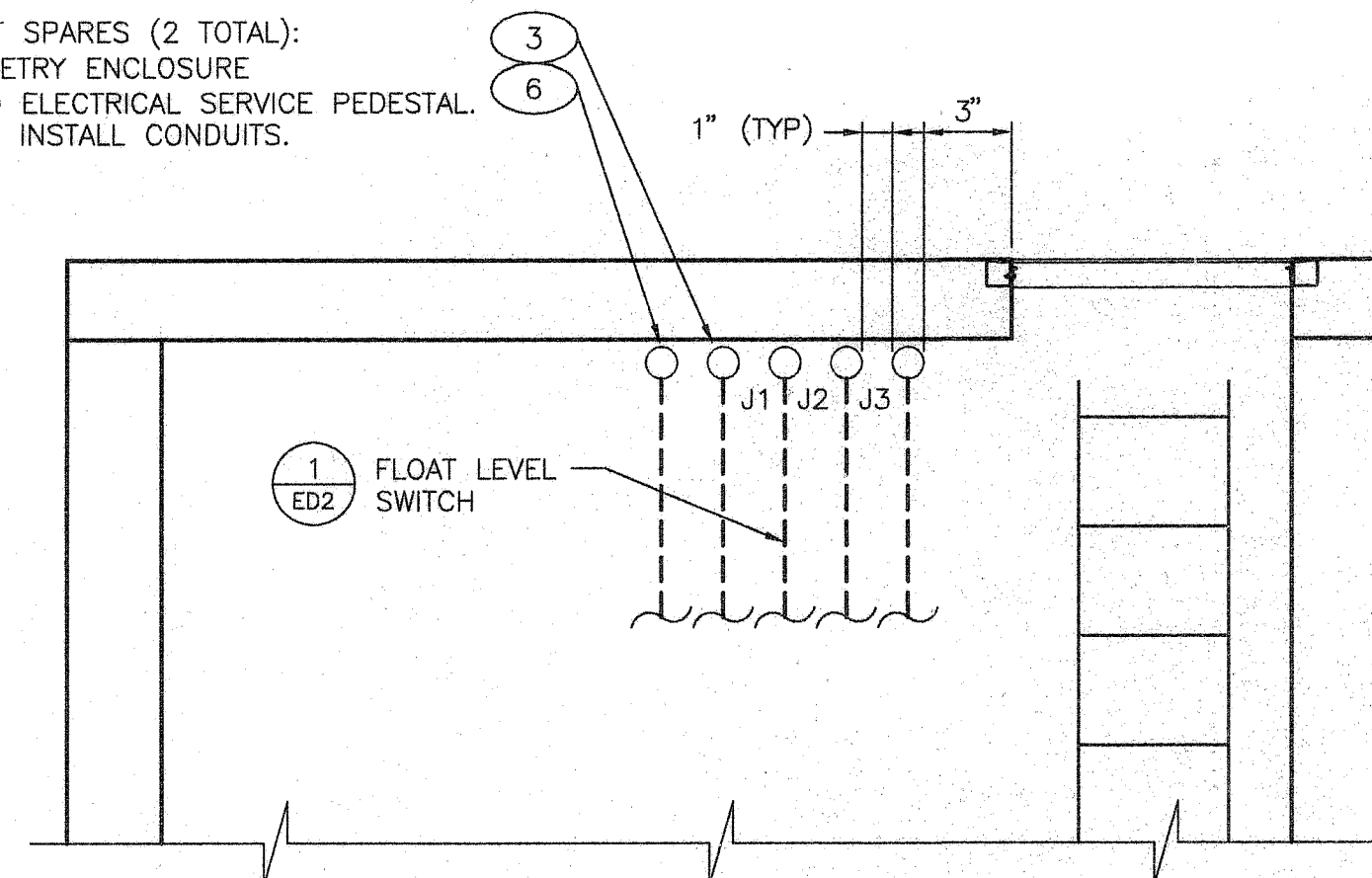


42' VAULT ELECTRICAL PLAN
SCALE: 1" = 4'-0"

1
E2

CAPPED CONDUIT SPARES (2 TOTAL):
(1) - TO TELEMETRY ENCLOSURE
(1) - TO LVWD ELECTRICAL SERVICE PEDESTAL.
CORE DRILL AND INSTALL CONDUITS.



JUNCTION BOX LEGEND:

- (J1) FLOAT LEVEL SWITCH (5)
- (J2) MOTOR OPERATOR CONTROL (2 CONDUITS):
FROM TELEMETRY ENCLOSURE (1)
FROM MANUAL VALVE OPERATOR (9)
- (J3) MOTOR OPERATOR ELECTRICAL POWER:
FROM ELECTRICAL SERVICE PEDESTAL (2)

SECTION
NOT TO SCALE

A

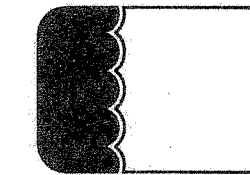
CONDUIT, WIRE & CABLE SCHEDULE

LINE NO.	CONDUIT SIZE	CONDUCTORS	FROM	TO	ROUTE	REMARKS
1	1"	(3) 3/C #18 SH/TW	TELEMETRY ENCLOSURE	MOTOR OPERATOR FOR 42" BUTTERFLY VALVE (WITHIN VALVE VAULT)	BELOW GRADE, IN SLAB	(1) OPEN STATUS-CLOSE STATUS, (1) OPEN-CLOSE CONTROL, AND (1) OVERLOAD/FAULT STATUS. ROUTE 1" CONDUIT INSIDE ALONG VAULT ROOF AND TRANSITION INTO 3/4" FLEX TIGHT FROM CONDULET DOWN TO MOV CONTROLLER.
2	1"	(4) #10	LVWD ELECTRICAL SERVICE PEDESTAL	MOTOR OPERATOR FOR 42" BUTTERFLY VALVE (WITHIN VALVE VAULT)	BELOW GRADE, IN SLAB	MOV POWER - (2) POWER, (1) NEUTRAL, AND (1) GROUND. ROUTE 1" CONDUIT INSIDE ALONG VAULT ROOF AND TRANSITION INTO 3/4" FLEX TIGHT FROM CONDULET DOWN TO MOV CONTROLLER.
3	1"	PULL CORD	LVWD ELECTRICAL SERVICE PEDESTAL	VALVE VAULT SPARE	BELOW GRADE, IN SLAB	SPARE W/PULL CORD
4	(2) - 1"	1"C (2) #12, (3) #10 1"C PULL CORD	LVWD ELECTRICAL SERVICE PEDESTAL	TELEMETRY ENCLOSURE	BELOW GRADE, IN SLAB	(2) PLC POWER, (2) PLC RECEPTACLE, (1) GROUND 1"C - SPARE
5	1"	(2) #14	TELEMETRY ENCLOSURE	FLOAT LEVEL SWITCH (WITHIN VALVE VAULT)	BELOW GRADE, IN SLAB	VAULT FLOAT LEVEL SWITCH
6	2"	PULL CORD	TELEMETRY ENCLOSURE	VALVE VAULT SPARE	BELOW GRADE, IN SLAB	SPARE W/PULL CORD
7	SEE DWG ED3	SEE DWG ED3	LVWD ELECTRICAL SERVICE PEDESTAL	NV ENERGY PULLBOX RS-1	BELOW GRADE, IN SLAB	
8	SEE DWG ED5	SEE DWG ED5	TELEMETRY ENCLOSURE	CENTURYLINK MANHOLE	BELOW GRADE, IN SLAB	CENTURYLINK TELEPHONE CONNECTION, ROUTE THRU NEW CENTURYLINK 17"x30"x30" PULLBOX
9	1"	7/C #14	MANUAL VALVE OPERATOR	MOTOR OPERATOR FOR 42" BUTTERFLY VALVE (WITHIN VALVE VAULT)	BELOW GRADE, IN SLAB	(3) LOR SWITCH, (4) OPEN/CLOSE LIMIT SWITCHES (2 EA) FOR OPEN/CLOSE LIGHTS
10	(2) - 2"	2"C, SPARE 2"C, SPARE	ANTENNA BASE	TELEMETRY ENCLOSURE	BELOW GRADE, IN SLAB	SPARE W/PULL CORD

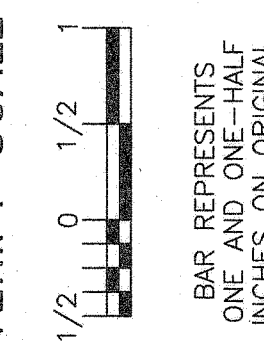
VAULT CONDUIT ROUTES AND SCHEDULE
NOT TO SCALE

2
E2

LAS VEGAS VALLEY WATER DISTRICT
1001 S. VALLEY VIEW BOULEVARD
LAS VEGAS, NEVADA 89163
(702) 670-2011



VERIFY SCALE



CHEYENNE 2975 ZONE MOTOR OPERATED VALVES

VILLA RIDGE DRIVE AND HIGHLAND FALLS DRIVE

ELECTRICAL PLAN

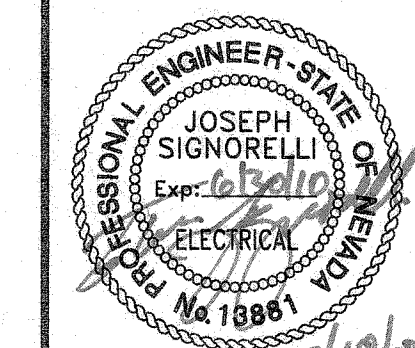
SCALE AS NOTED

DRAWN BY: J. LISHNEVSKY
CHECKED BY: J. SIGNORELLI
RECOMMENDED BY: RYAN PEARSON
ACCEPTED BY: PETER J. JAUCH

DATE: _____ DATE: _____

Call before you Dig
Avoid cutting underground utility lines. It's easy. Call 811

Call before you Overhead
1-702-227-2929



CONTRACT NUMBER
C1280
DRAWING NUMBER E2
SHEET 12 OF 22