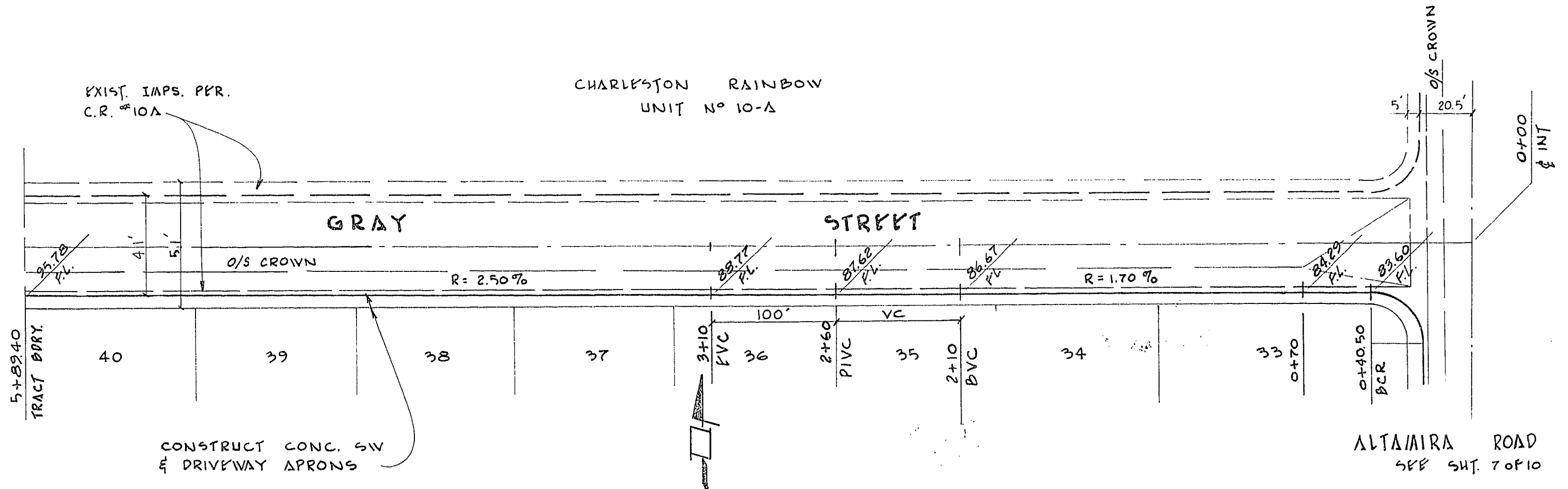
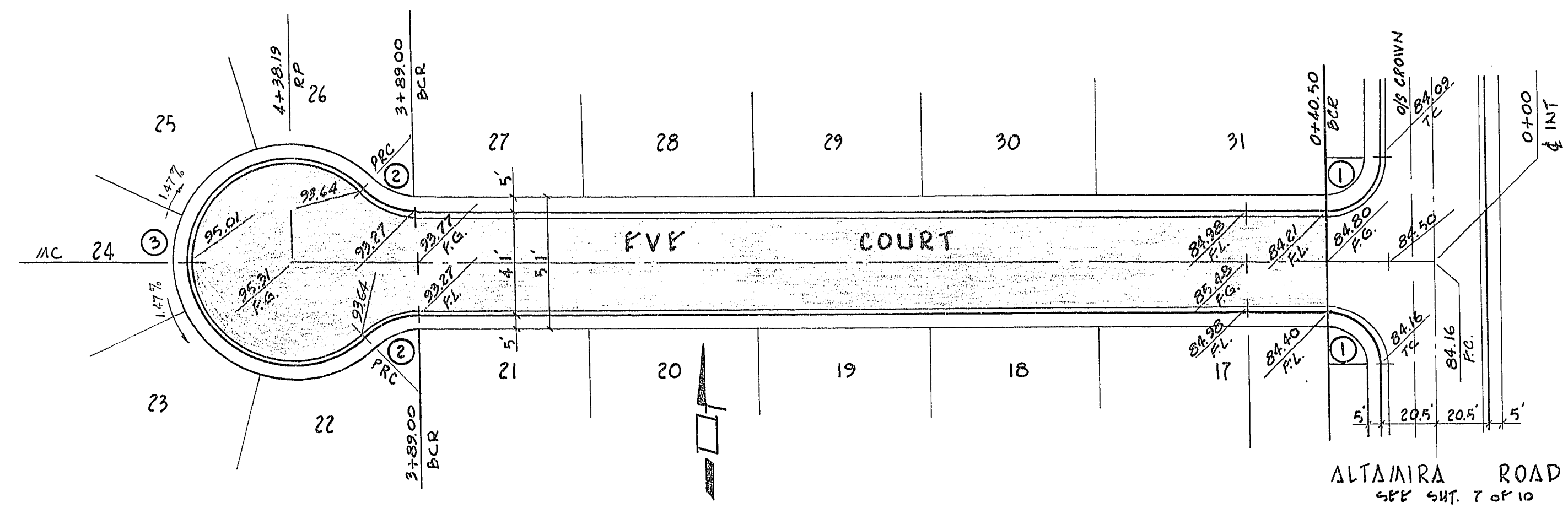


CURVE DATA TABLE

N°	Δ	R	L	T
1	90-00-00	20	31.42	20.00
2	44-14-57	30	23.17	12.19
3	268-29-54	40.50	189.79	



SUBMITTED BY
Charles R. Johnson
 CHARLEY R. JOHNSON RPE 3005 2-22-72
 DATE

APPROVALS:
[Signature] 4-18-72
 LAS VEGAS CITY ENGR. DATE
[Signature] 4-11-72
 LAS VEGAS FIELD ENGR. DATE

CONSULTING ENGINEERS & PLANNERS
 2209 PARADISE ROAD, LAS VEGAS, NEVADA 89103
 (702) 735-0127

CHARLESTON RAINBOW
 UNIT NO 10-B
 STREET PLAN & PROFILE

GRAY STREET COURT

SCALE:	WO. NO. 1066-10B	DATE 2-22-72	SHEET	OF
HORIZ: 1" = 40'	DES.	REV.	4	9
VERT: 1" = 4'	CHK.	REV.		

107 y-1055-1063