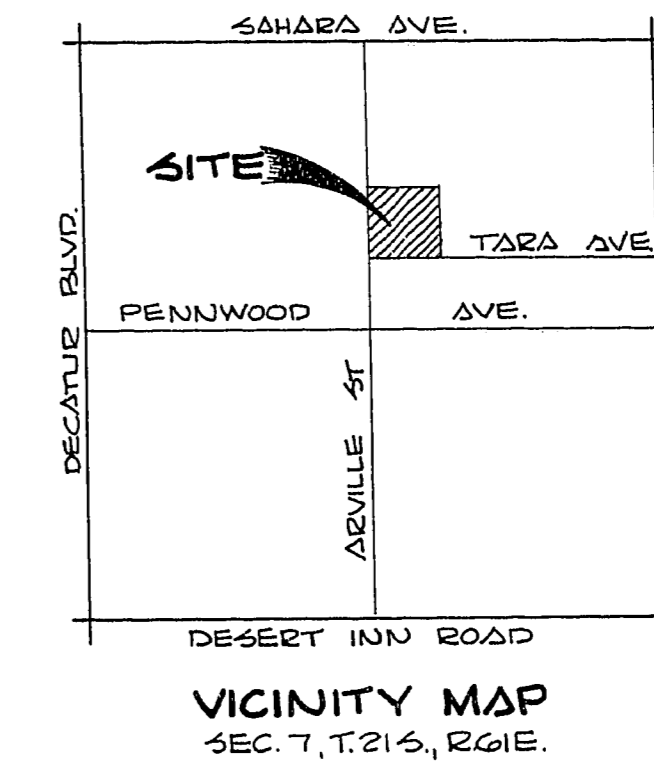
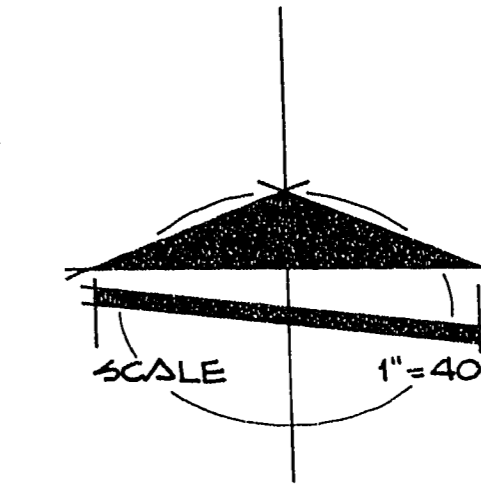


WATER LINE NOTES

1. All work to conform to Las Vegas Valley Water District standard plates.
2. All work, except as modified hereon or by Note No. 1 shall be done in accordance with the most current draft or edition of Uniform Standard Specifications for Public Works Construction Off-site Improvement Clark County Area.
3. Notice to be given Engineering Department of the Las Vegas Valley Water District 48 hours prior to actual construction.
4. Service saddles or tapped collars will be required on all services, double tap collars are not permitted.
5. All lines to be pressure tested to 200 psi.
6. All valve boxes shall have concrete collars at surface of paved areas.
7. Deflection angle shall not exceed 2 1/2 degrees per 13 foot section of pipe for pipe sizes smaller than 14 inches and shall not exceed 2 degrees for pipe sizes between 14" and 16".
8. All meters shall be located outside of driveways.



ESTIMATED QUANTITIES

①	6" ACP WATER LINE	475 LF
②	3/4" PE WATER LINE	1025 LF
③	6" NRS TAPPING VALVE W/ VALVE BOX & COVER	2 EA.
④	6" NRS GATE VALVE W/ VALVE BOX & COVER	2 EA.
⑤	10" x 10" x 6" TAPPING TEE W/ THRUST BLOC	2 EA.
⑥	6" x 6" x 6" TEE W/ THRUST BLOC	2 EA.
⑦	6" PLUG W/ THRUST BLOC & BLOW-OFF	2 EA.
⑧	3/4" SERVICE CONNECTION	36 EA.
⑨	FIRE HYDRANT ASSEMBLY	2 EA.
⑩	3/4" WATER METER BY L.V.V.W.D.	36 EA.
⑪	WET TAP	2 EA.
⑫	5/8" CUT AC PAVEMENT	LF
⑬	REPLACE EXISTING AC PAVEMENT	5Y
⑭	4" x 6" REDUCER	2 EA.
⑮	4" ACP WATER LINE	735 LF
⑯	1 1/4" BEND	2 EA.

APPROVALS

<i>[Signature]</i> CITY OF LAS VEGAS FIRE MARSHALL	9-28-78 DATE
<i>[Signature]</i> LAS VEGAS VALLEY WATER DISTRICT	9-21-78 DATE
<i>[Signature]</i> CITY OF LAS VEGAS FIELD OPERATIONS ENGINEER	10-24-78 DATE
<i>[Signature]</i> CITY OF LAS VEGAS ENGINEER	10-27-78 DATE
<i>[Signature]</i> CITY OF LAS VEGAS QUALITY CONTROL ENGINEER	10-25-78 DATE

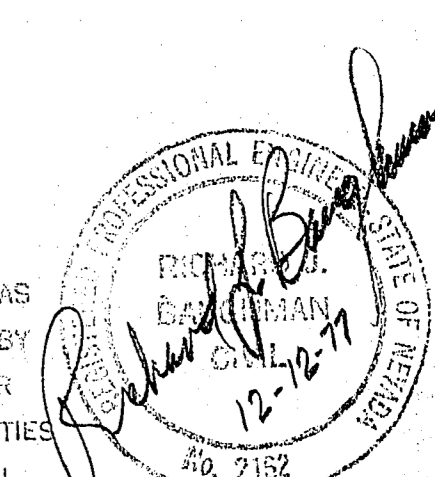


5/8" CUT AND MATCH EXISTING AC PAV'T PER STD. DWG. 551.2

5/8" CUT AND MATCH EXISTING AC PAV'T PER STD. DWG. 551.2

Name of Plan: CONSO I West
 Date: 12/15/77
 WWD

NOTE! UTILITY INFORMATION WAS DERIVED FROM DATA FURNISHED BY UTILITY COMPANIES. CONTRACTOR MUST CONFIRM LOCATION OF UTILITIES BEFORE COMMENCING CONSTRUCTION.



PREPARED FOR: **CONSOLIDATED REALTY**
 DATE: OCT. 1977
 DESIGN: **BAUGHMAN & TURNER**
 DRAWN: JPM
 CHECK: RJB
 SCALE: 1"=40'
 CIVIL ENGINEERS
 MINING ENGINEERS
 LAND SURVEYORS
 2325 WEST CHARLESTON BOULEVARD
 LAS VEGAS, NEVADA 89022
 702-790-8771

WATER LINE DESIGN OF CONSO I WEST IN A PORTION OF SECTION 7, TOWNSHIP 21 SOUTH, RANGE 61 EAST, COUNTY OF LAS VEGAS, CLARK COUNTY, NEVADA

SHEET NO. 5674-1175
 PROJ. NO. FB 104, R. 117