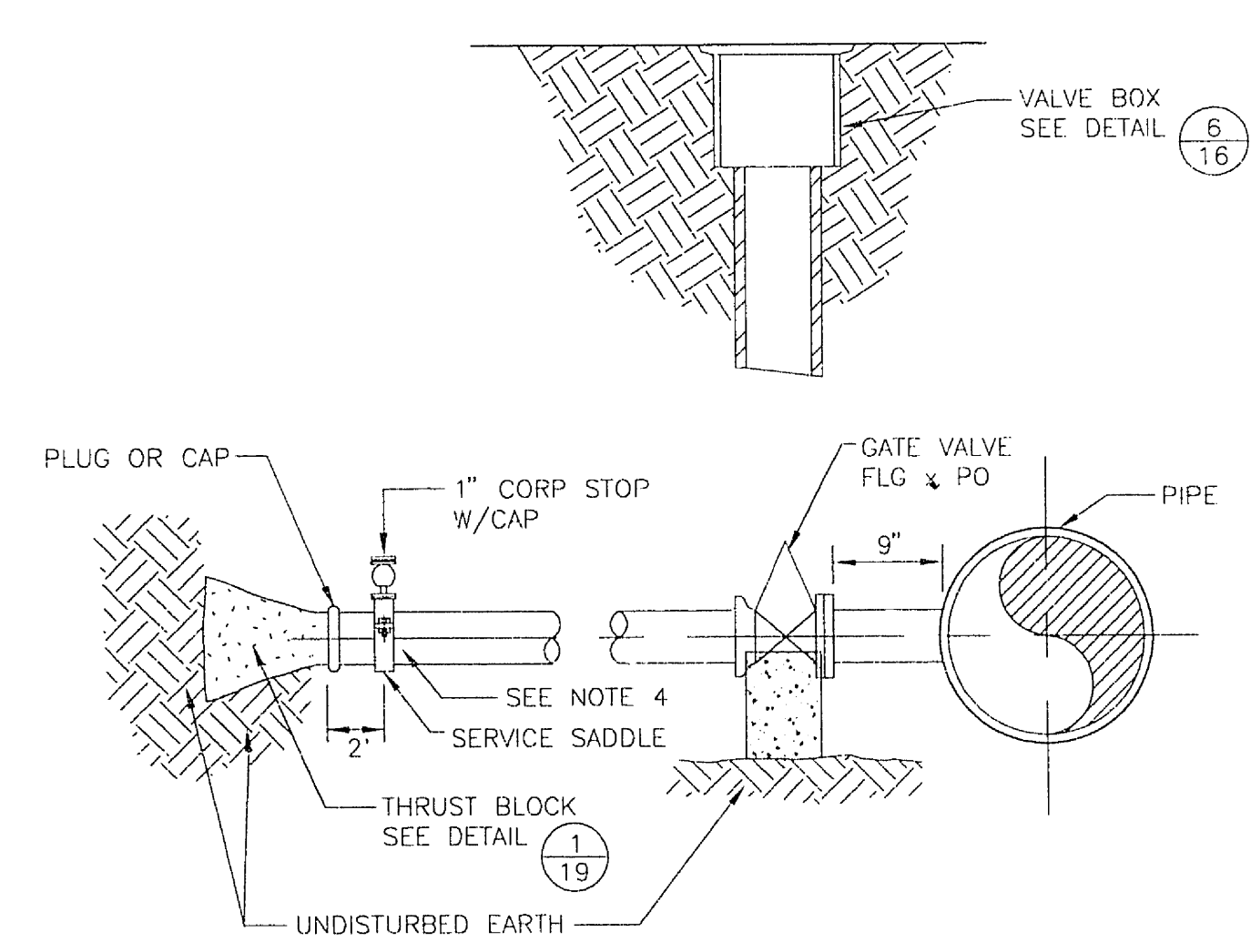
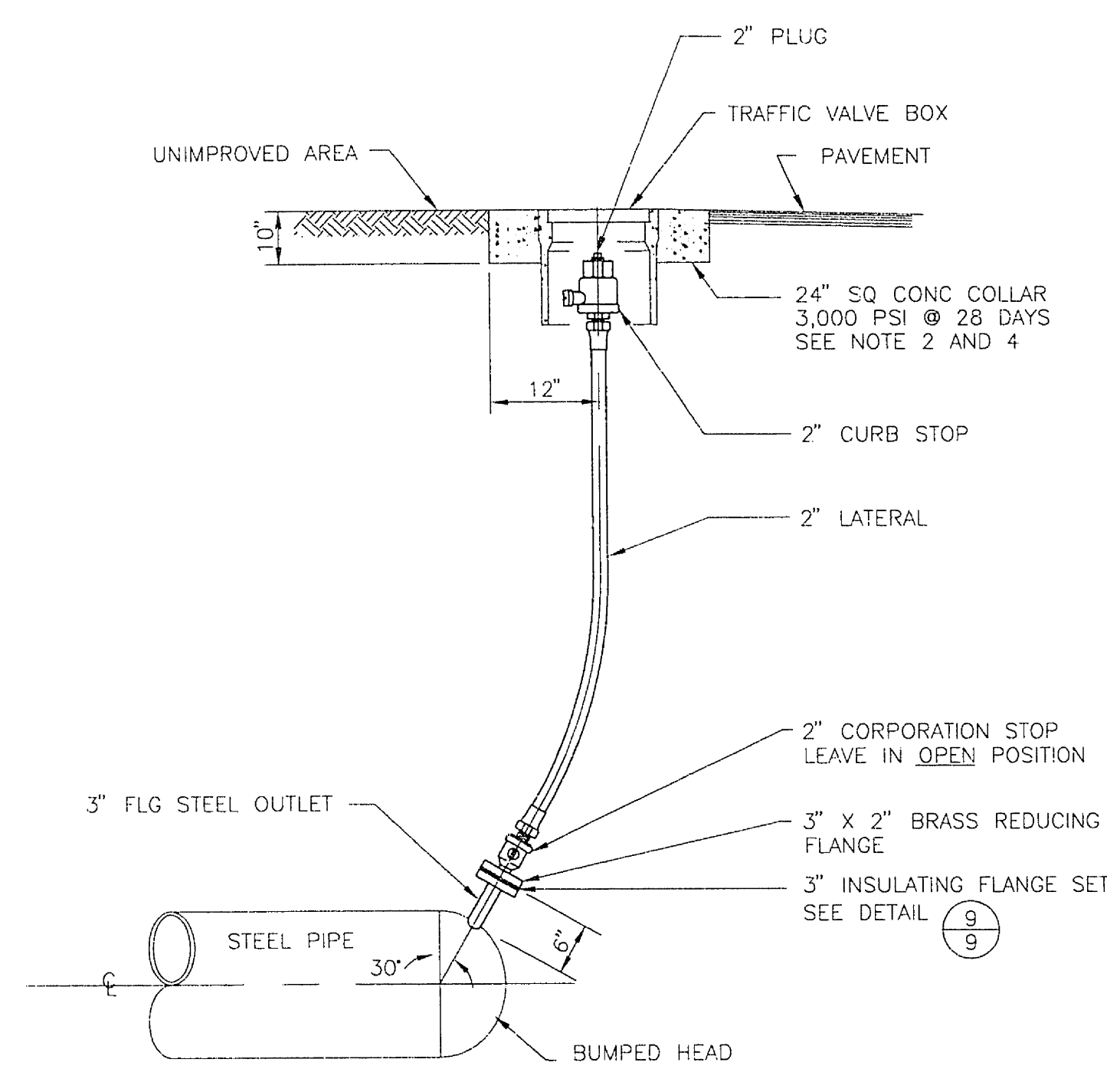


- NOTES**
1. INSTALL VALVES CLOSED AND OPEN DURING TEST.
 2. COAT OUTLET, VALVE AND PLUG PER SPECS.
 3. WRAP OUTLET AND PLUG WITH TWO LAYERS OF POLYETHYLENE FILM PER SPECS.
 4. LENGTH VARIES... SEE PLAN. USE 3'-3" MIN LENGTH FOR FIRST PIPE STUB ADJOINING GATE VALVE.
 5. INSTALL CARSONITE MARKER (YELLOW) ADJACENT TO VALVE BOX.

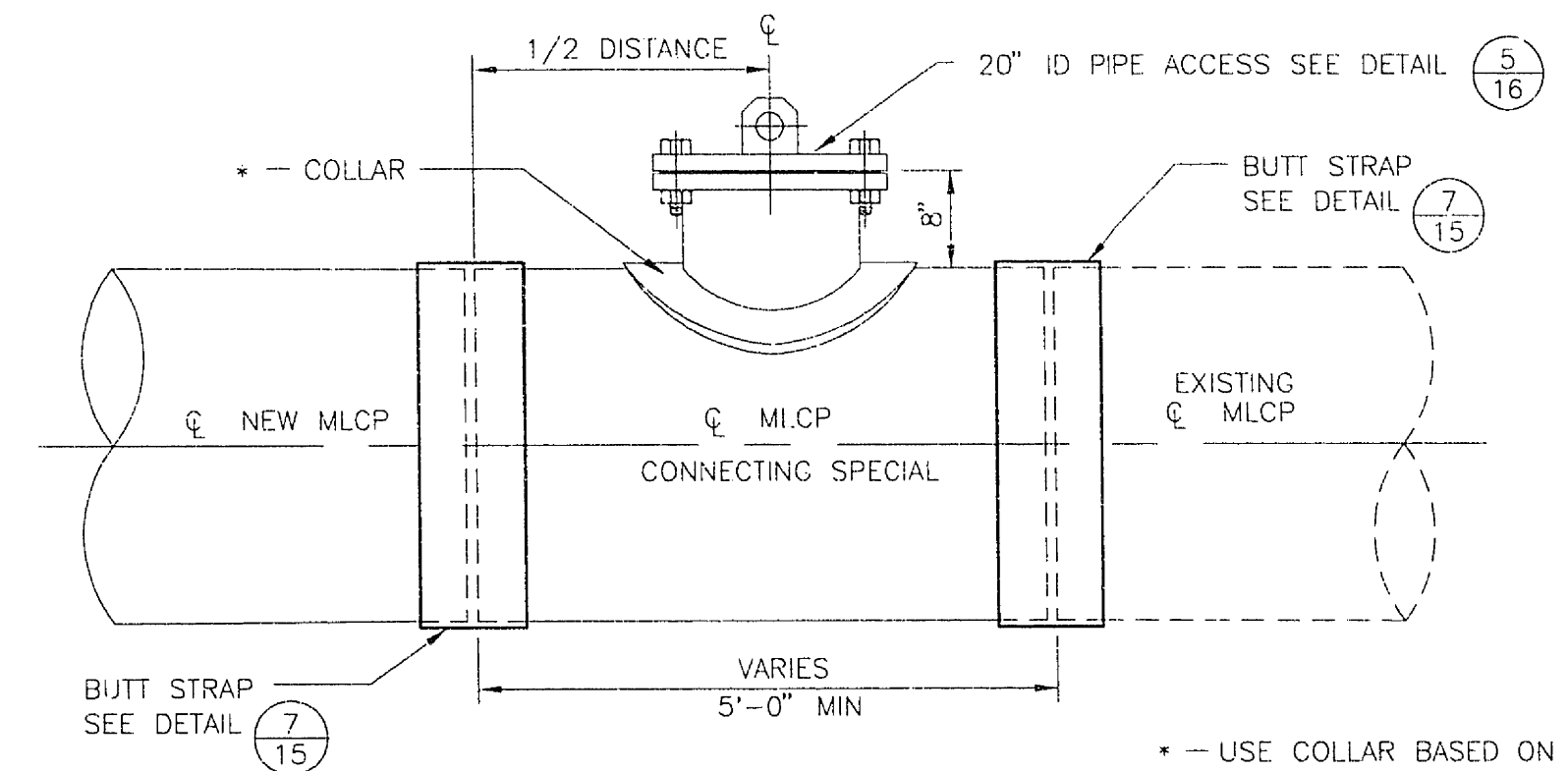
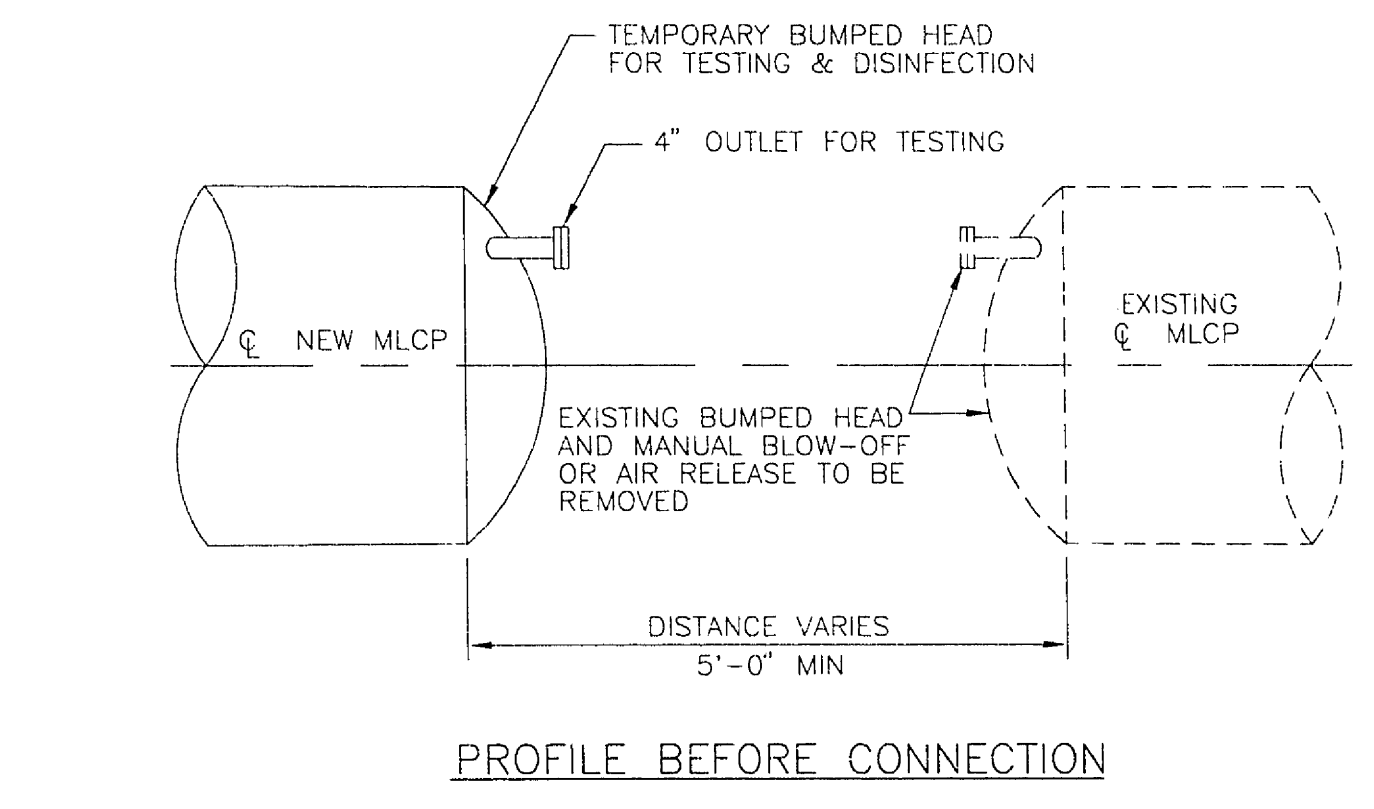


VALVED OUTLET DETAIL 3/16
NOT TO SCALE



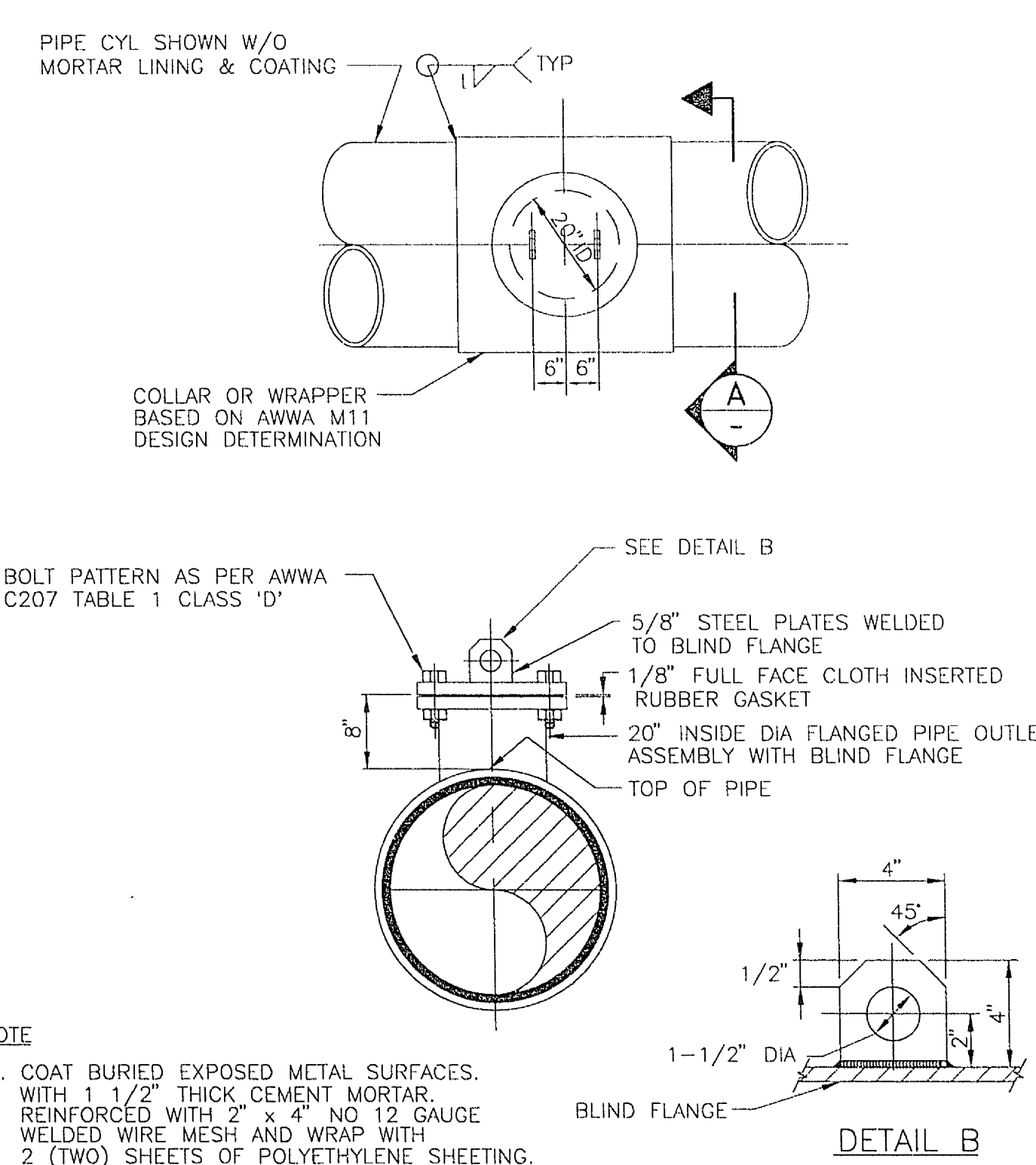
- NOTES**
1. WRAP OUTLET FLANGES AND CORPORATION STOP WITH TWO LAYERS OF 6 MIL POLYETHYLENE FILM AND SEAL TIGHTLY.
 2. CONCRETE TO BE 1/8" TO 1/4" BELOW FINAL STREET GRADE.
 3. ALL MATERIALS SHALL BE IN ACCORDANCE WITH THE SPECIFICATIONS.
 4. ALL CONCRETE COLLARS TO BE 10" THICK.

2\"/>

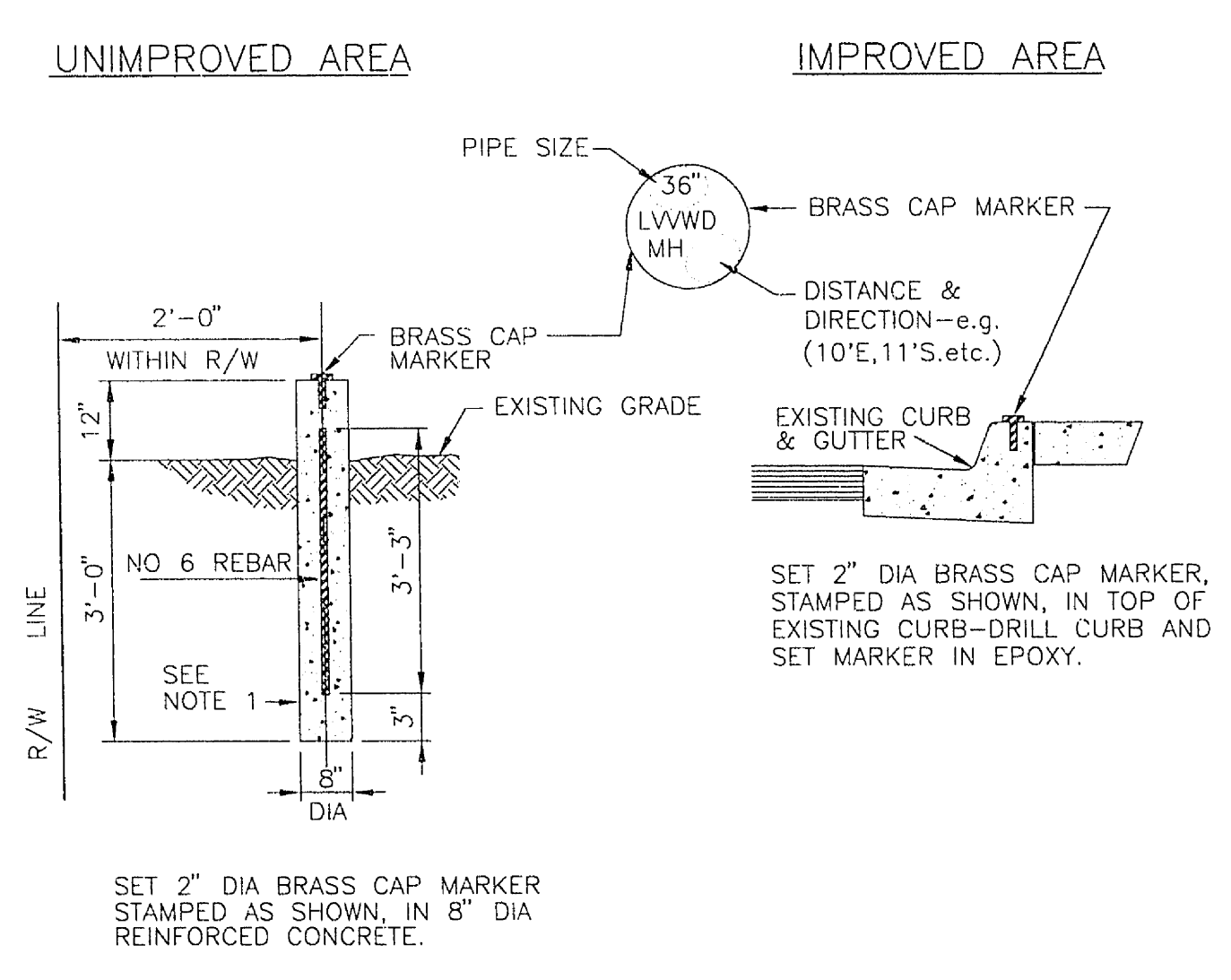


CONNECTION OF NEW PIPE TO EXISTING PIPE FOR MLCP ONLY 1/16
NOT TO SCALE

NOTE:
AT STA. 7+87.14±, THE PIPE ACCESS SHALL BE PART OF AN ACCESS MANHOLE ASSEMBLY.

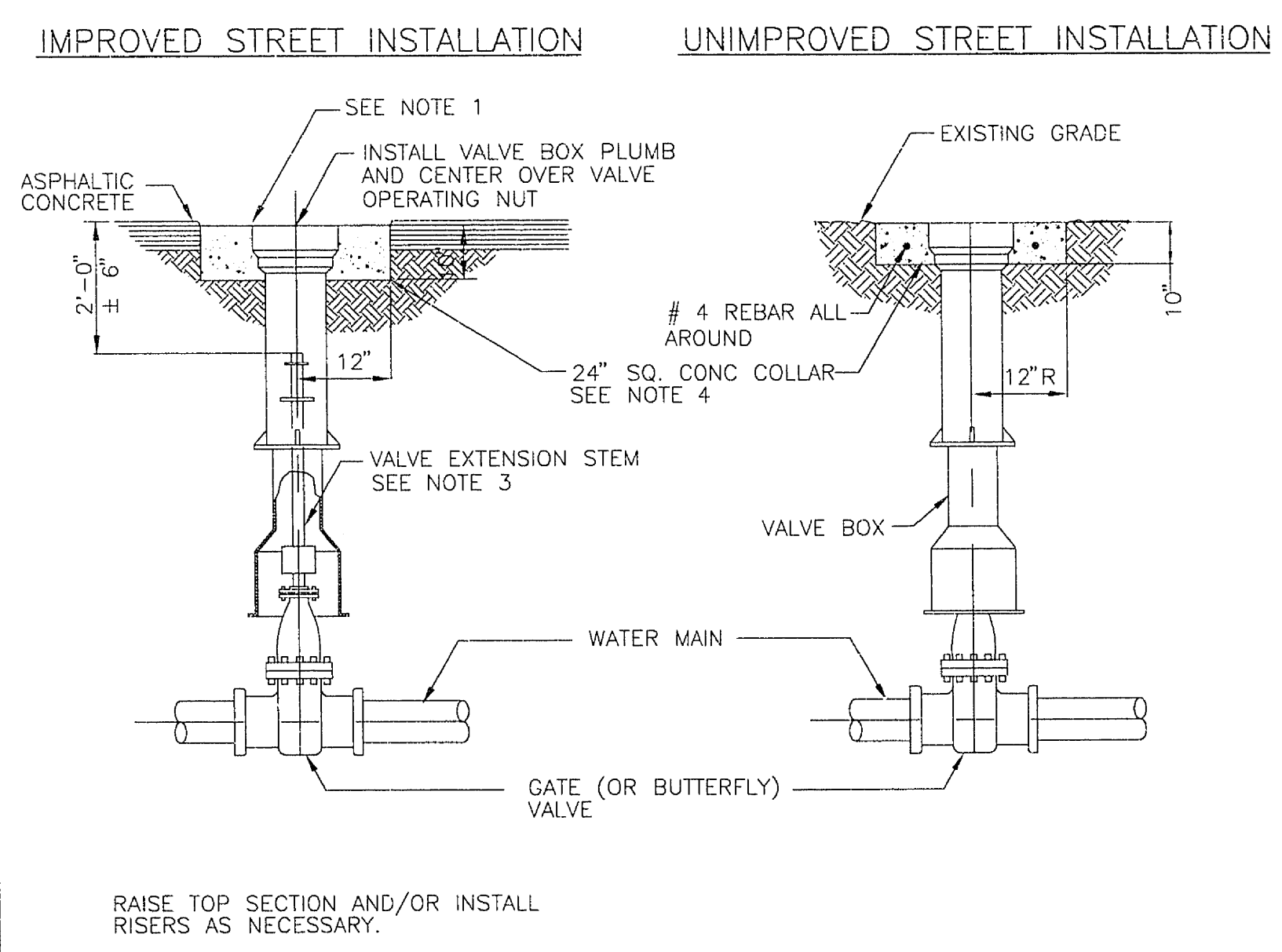


PIPE ACCESS ASSEMBLY 4/16
NOT TO SCALE



- NOTE**
1. CONCRETE SHALL BE 3000 PSI MINIMUM 28 DAYS COMPRESSIVE STRENGTH.

PIPE ACCESS ASSEMBLY MARKER 5/16
NOT TO SCALE



- NOTES**
1. FINAL RIM ELEVATION TO BE 1/8" TO 1/4" BELOW FINAL STREET GRADE.
 2. MORE STRINGENT INSTALLATION REQUIREMENTS MAY BE IMPOSED BY THE ENTITY HAVING THE JURISDICTION OVER THE VALVE BOX INSTALLATION LOCATION.
 3. A VALVE EXTENSION STEM SHALL BE PROVIDED WHERE THE DEPTH TO THE OPERATING NUT EXCEEDS FIVE (5) FEET.
 4. ALL CONCRETE COLLARS TO BE 10" THICK.

VALVE BOX INSTALLATION AND ADJUSTMENT 6/16
NOT TO SCALE

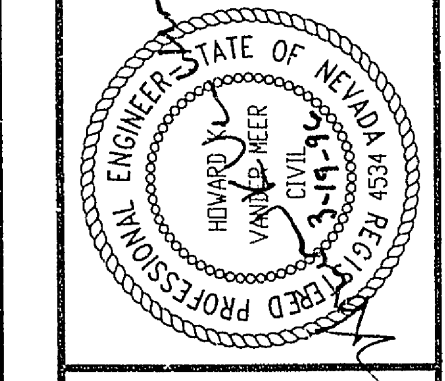
LAS VEGAS VALLEY WATER DISTRICT
G.C. WALLACE, INC.
Engineering/Architecture
1555 SOUTH RAINBOW BLVD., LAS VEGAS, NEVADA 89102

VERIFY SCALE
1/2" = 1'-0"
1/2" 0 1/2"
BAR REPRESENTS ONE AND ONE-HALF INCHES ON ORIGINAL

SCALE
1" = 1'

3205 ZONE RESERVOIR INLET/OUTLET PIPELINE
VALVE BOX, CONNECTION AND MISCELLANEOUS DETAILS
C:\DWG\3205\0\INLET-D9.DWG Plot @ 03-15-96 01:47 PM

DRAWN BY: LUPE GRACIA/ANGELA RISAGER 09/95
CHECKED BY: RON CHAPMAN 12/09/95
RECOMMENDED BY: Howard VanDer Meer 3-17-96
R.P.E. NO. DATE
ACCEPTED BY: R.P.E. NO. DATE



CONTRACT NUMBER
770
DRAWING NUMBER D9
SHEET 16 OF 19

1. PLACE WIRE INSIDE OF HOLES IN THE
2. CUT WIRE FROM THE END OF THE HOLES
3. REMOVE WIRE FROM THE HOLES IN THE HOLES IN THE HOLES
4. REMOVE WIRE FROM THE HOLES IN THE HOLES
5. REMOVE WIRE FROM THE HOLES IN THE HOLES



INSTALL WIRE INTO HOLES (1)



1. REMOVE WIRE FROM THE HOLES
2. REMOVE WIRE FROM THE HOLES
3. REMOVE WIRE FROM THE HOLES
4. REMOVE WIRE FROM THE HOLES

REMOVE WIRE FROM HOLES (2)



REMOVE WIRE FROM HOLES (3)



REMOVE WIRE FROM HOLES (4)



REMOVE WIRE FROM HOLES (5)



REMOVE WIRE FROM HOLES (6)

