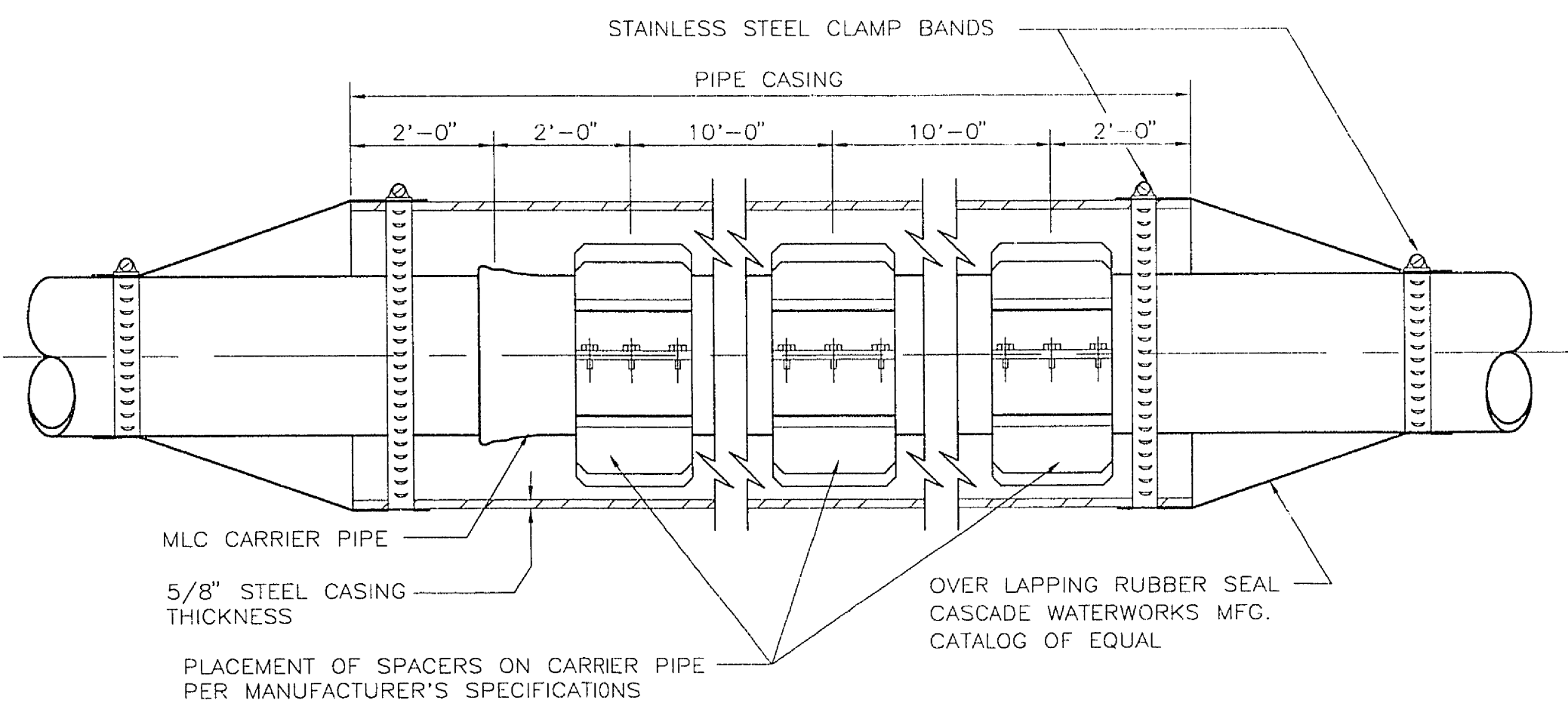
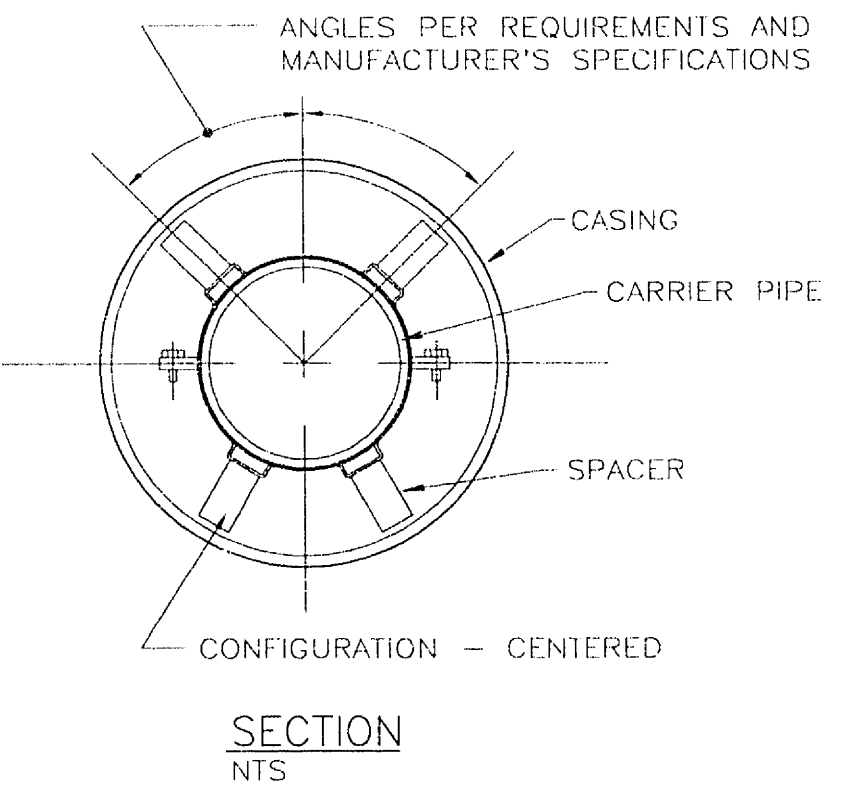


MLC CARRIER PIPE

8" SPACER WIDTH		12" SPACER WIDTH	
PIPE SIZE	CASING ID	PIPE SIZE	CASING ID
24"	42"	42"	60"
30"	48"	48"	66"
36"	54"	60" *	78"

* 78" RCP MAY BE USED AS ALTERNATE CASING SEE SPECIFICATIONS DIVISION 28.



LAS VEGAS VALLEY WATER DISTRICT

G.C. WALLACE, INC.
Engineering/Architecture
1955 SOUTH RAINBOW BLVD./LAS VEGAS, NEVADA 89102

VERIFY SCALE

1/2" 0 1/2"

BAR REPRESENTS ONE AND ONE-HALF INCHES ON ORIGINAL

3205 ZONE RESERVOIR INLET/OUTLET PIPELINE

BLOW-OFF ASSEMBLY AND COVER AND CASING ASSEMBLY DETAILS

SCALE 1"=1'

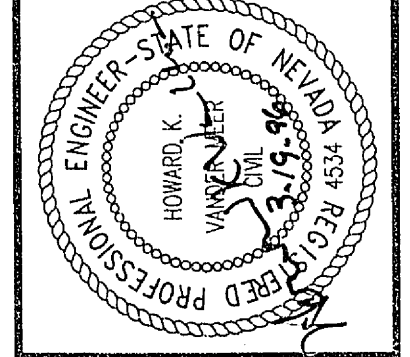
C:\DWG\3205\INLET-OUTLET.DWG Plot @ 03-15-96 1:00 PM

DRAWN BY: LUPE GRACIA/ANGELA RUSAGER 09/95

CHECKED BY: BOB SHIPMAN 12/08/95

RECOMMENDED BY: HOWARD VANDER MEER 4534 3-17-96

ACCEPTED BY: HOWARD VANDER MEER R.P.E. NO. DATE



CONTRACT NUMBER

770

DRAWING NUMBER D7

SHEET 14 OF 19

