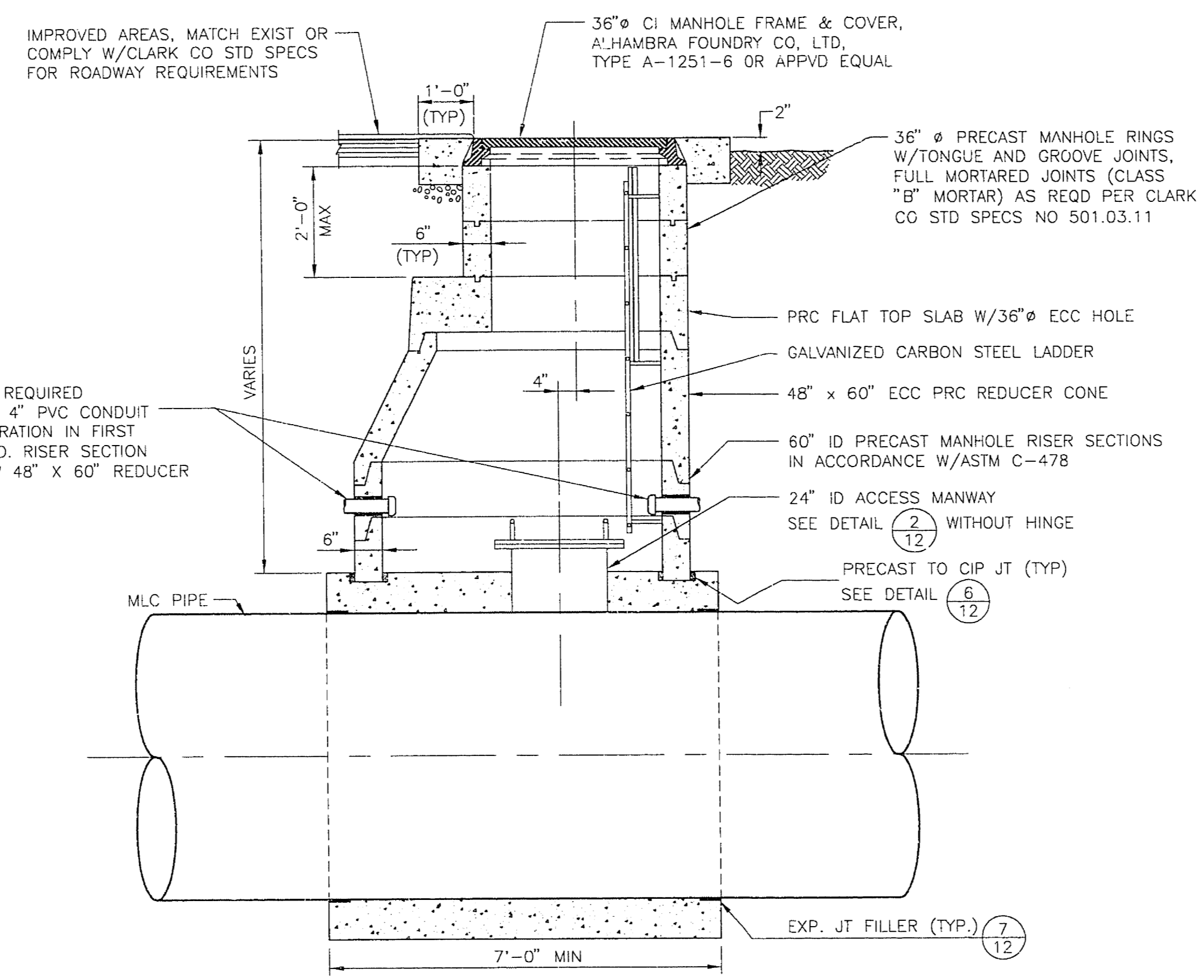
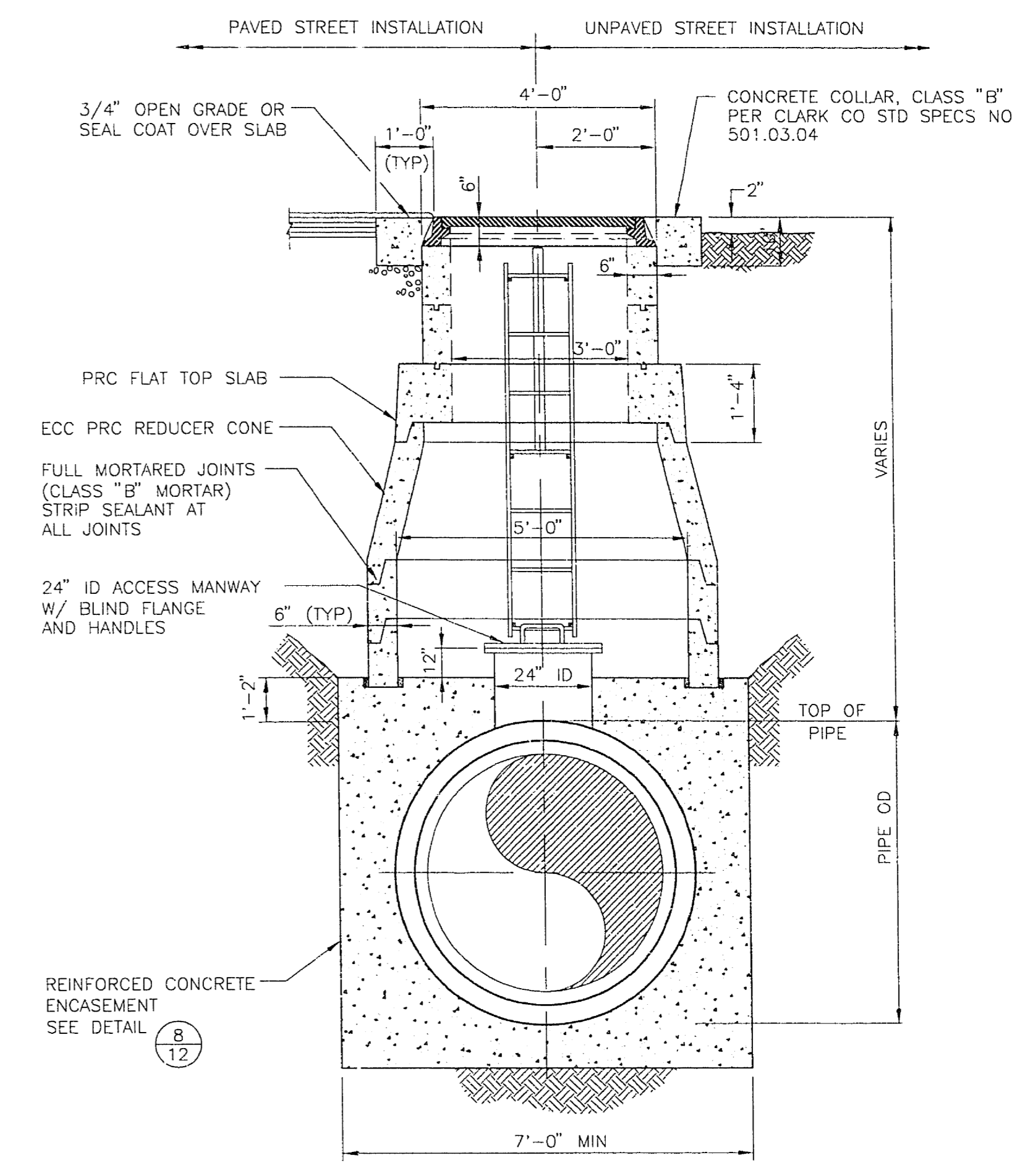


NOTE: MH FRAME AND COVER AND MANWAY ARE NOT SHOWN.

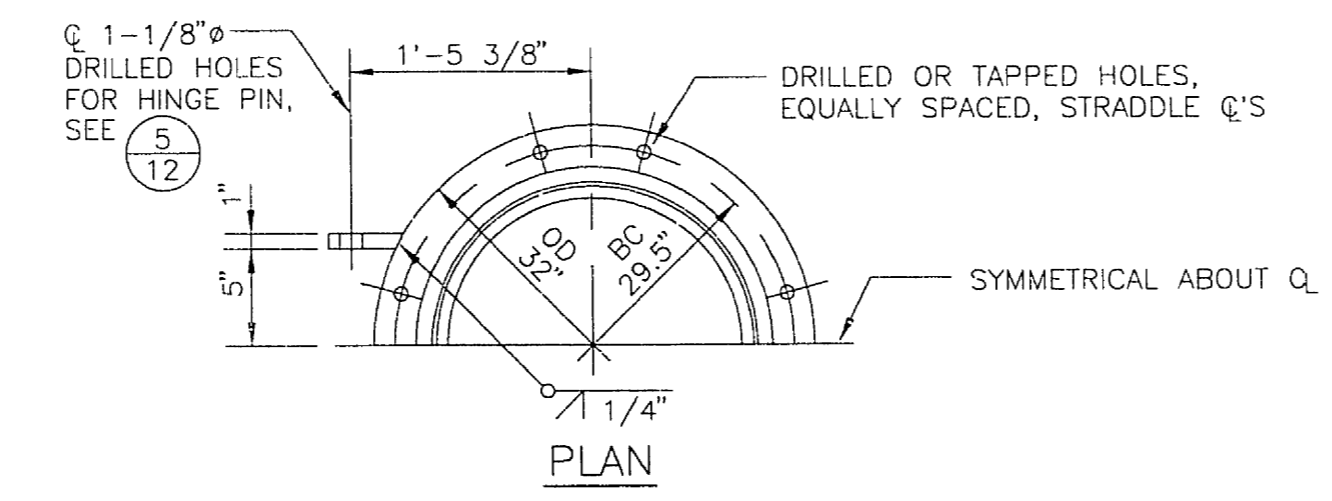
ACCESS MANHOLE PLAN
SCALE: 1/2" = 1'-0"



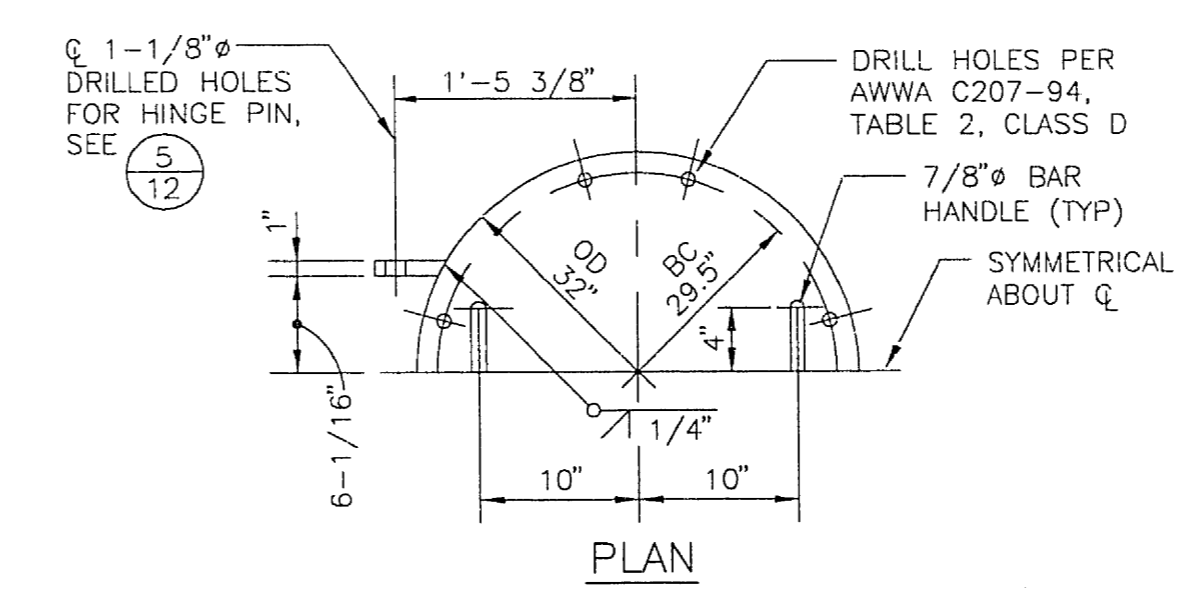
SECTION A
NOT TO SCALE



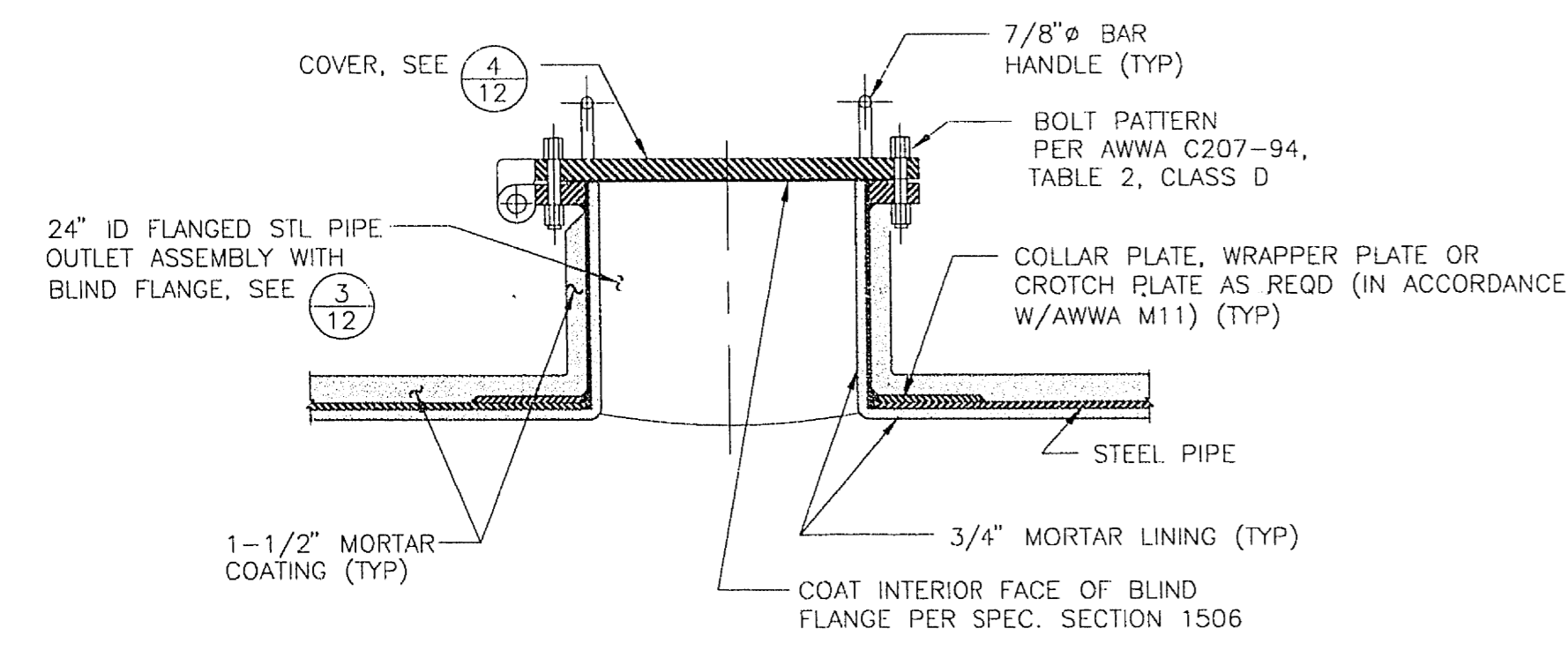
SECTION B
NOT TO SCALE



PLAN

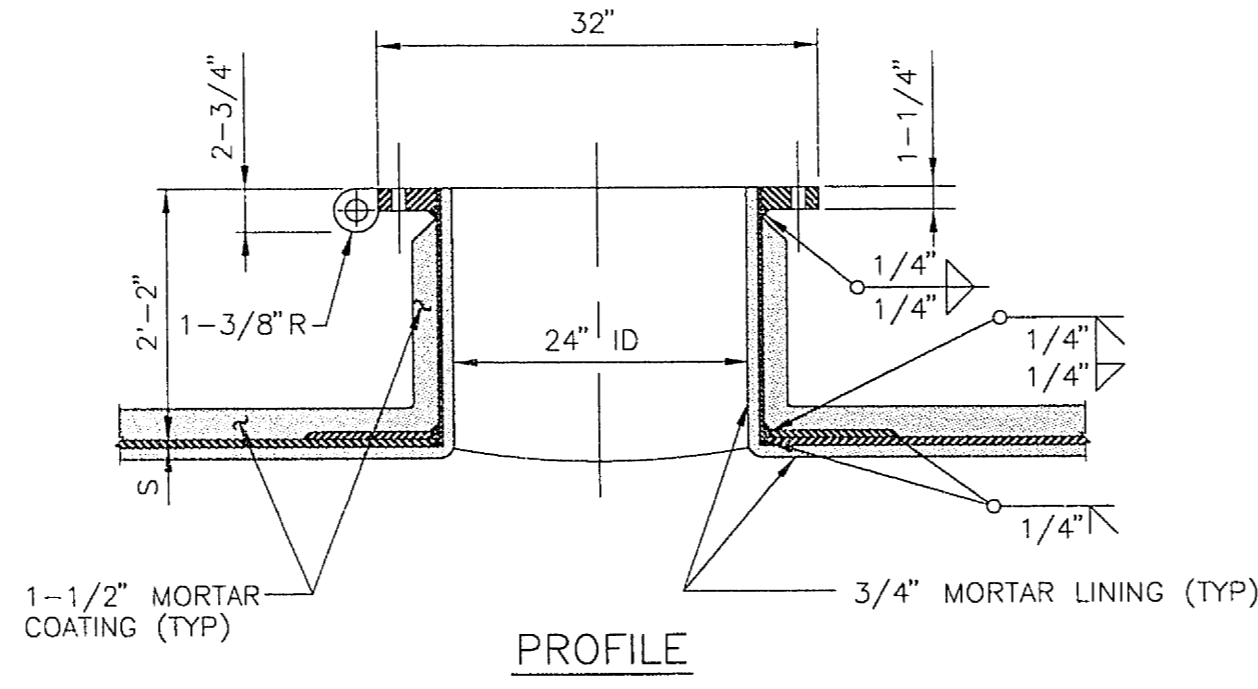


PLAN

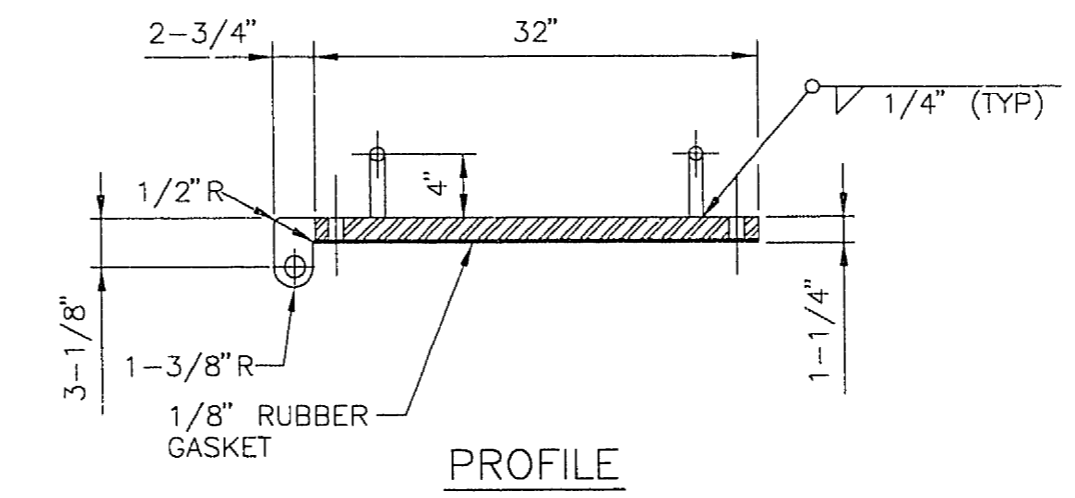


24" ID ACCESS MANWAY
NOT TO SCALE

FOR USE IN VALVE VAULT MANWAY WITH THE HINGE
FOR USE IN ACCESS MANHOLE MANWAY WITHOUT THE HINGE

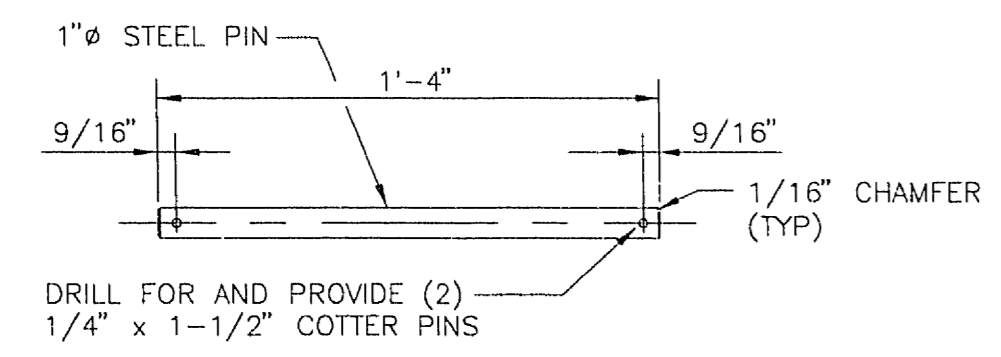


PROFILE

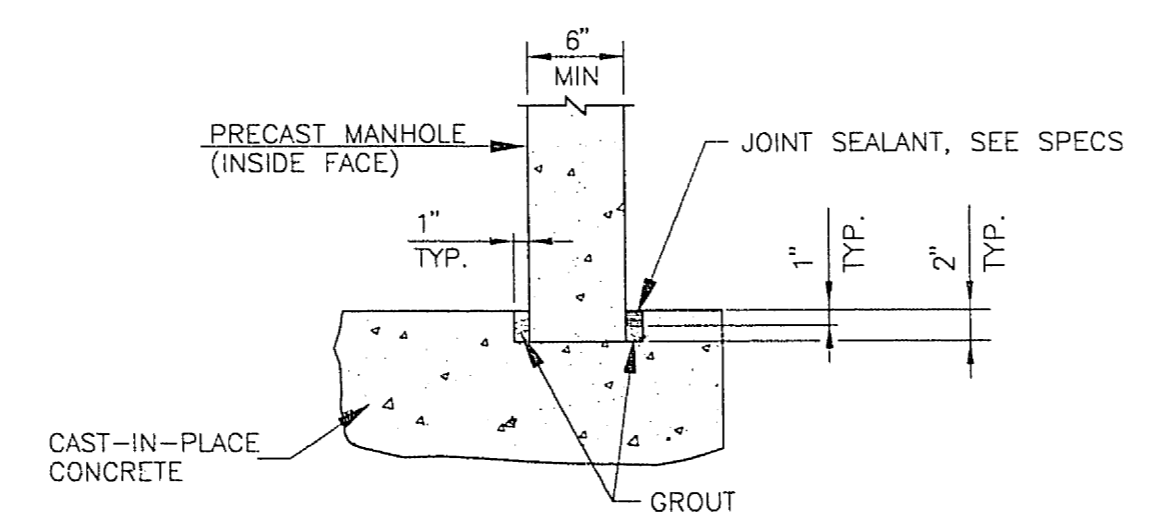


PROFILE

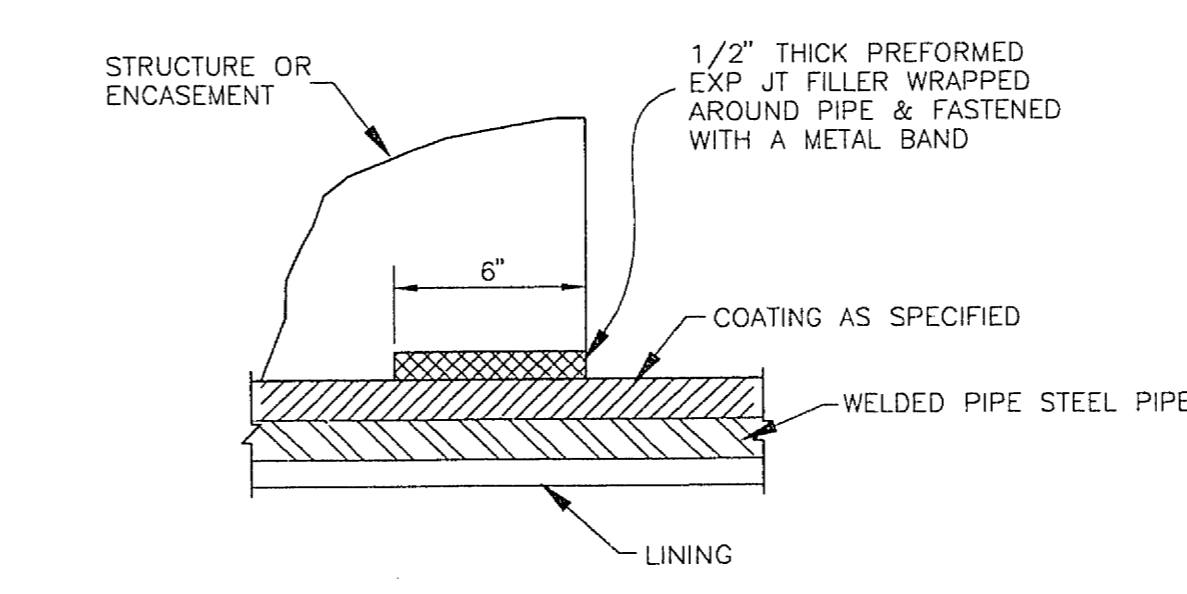
COVER DETAIL
NOT TO SCALE



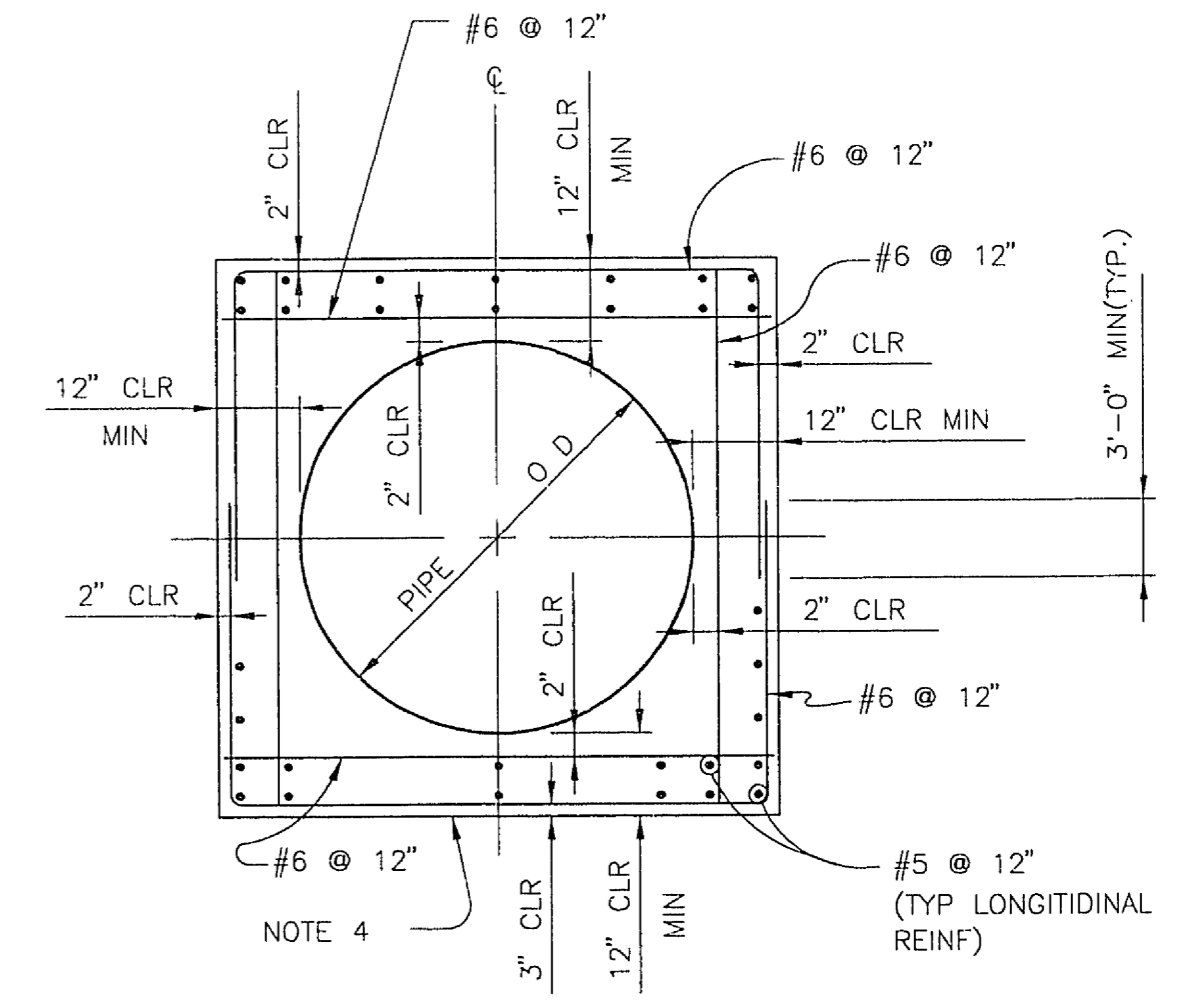
HINGE PIN DETAIL
NOT TO SCALE



PRECAST TO CCIP CONC BASE JT DETAIL
NOT TO SCALE



TYP AT ENDS OF ALL STRUCTURES AND ENCASEMENTS
NOT TO SCALE



REINFORCED CONCRETE ENCASEMENT
NOT TO SCALE

REVISION 4-17-96 ADDENDUM NO. 1 SHOWS CONCRETE SURROUNDING PIPE IN DETAILS A/12 AND B/12. ALSO 20" ACCESS CHANGED TO 24" ACCESS IN DETAILS 2/12 AND 3/12.

LAS VEGAS VALLEY WATER DISTRICT

G. C. WALLACE, INC.
Engineering/Architecture
1955 SOUTH RAINBOW BLVD LAS VEGAS, NEVADA 89102

3205 ZONE RESERVOIR INLET/OUTLET PIPELINE

ACCESS MANHOLE ASSEMBLY

SCALE 1"=1'

DRAWN BY: LUPE GRACIA/ANGELA RISSAGER 09/95
CHECKED BY: RON GRAMMAN 12/08/95
RECOMMENDED BY: *[Signature]* 05/96 R.P.E. NO. DATE
FORWARD VANDER MEER 04-17-96
ACCEPTED BY: *[Signature]* R.P.E. NO. DATE

CONTRACT NUMBER
770
DRAWING NUMBER D5
SHEET 12 OF 19

565-283

