

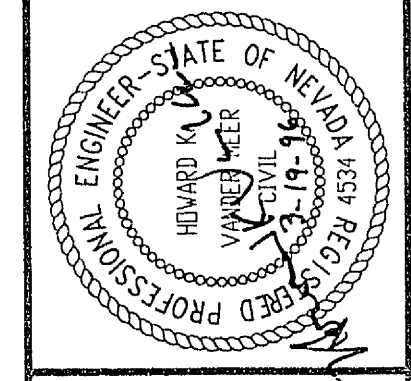
LAS VEGAS VALLEY WATER DISTRICT
G.C. WALLACE, INC.
 Engineering/Architecture
 1555 SOUTH RAINBOW BLVD./LAS VEGAS, NEVADA 89102

VERIFY SCALE
 1/2" = 0' 1/2"
 BAR REPRESENTS ONE AND ONE-HALF INCHES ON ORIGINAL

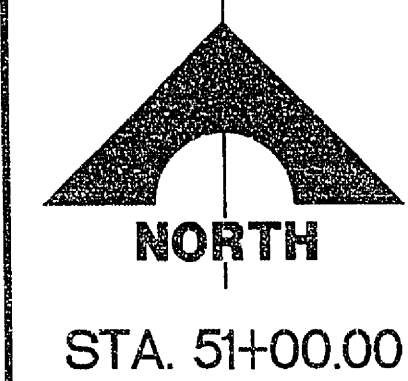
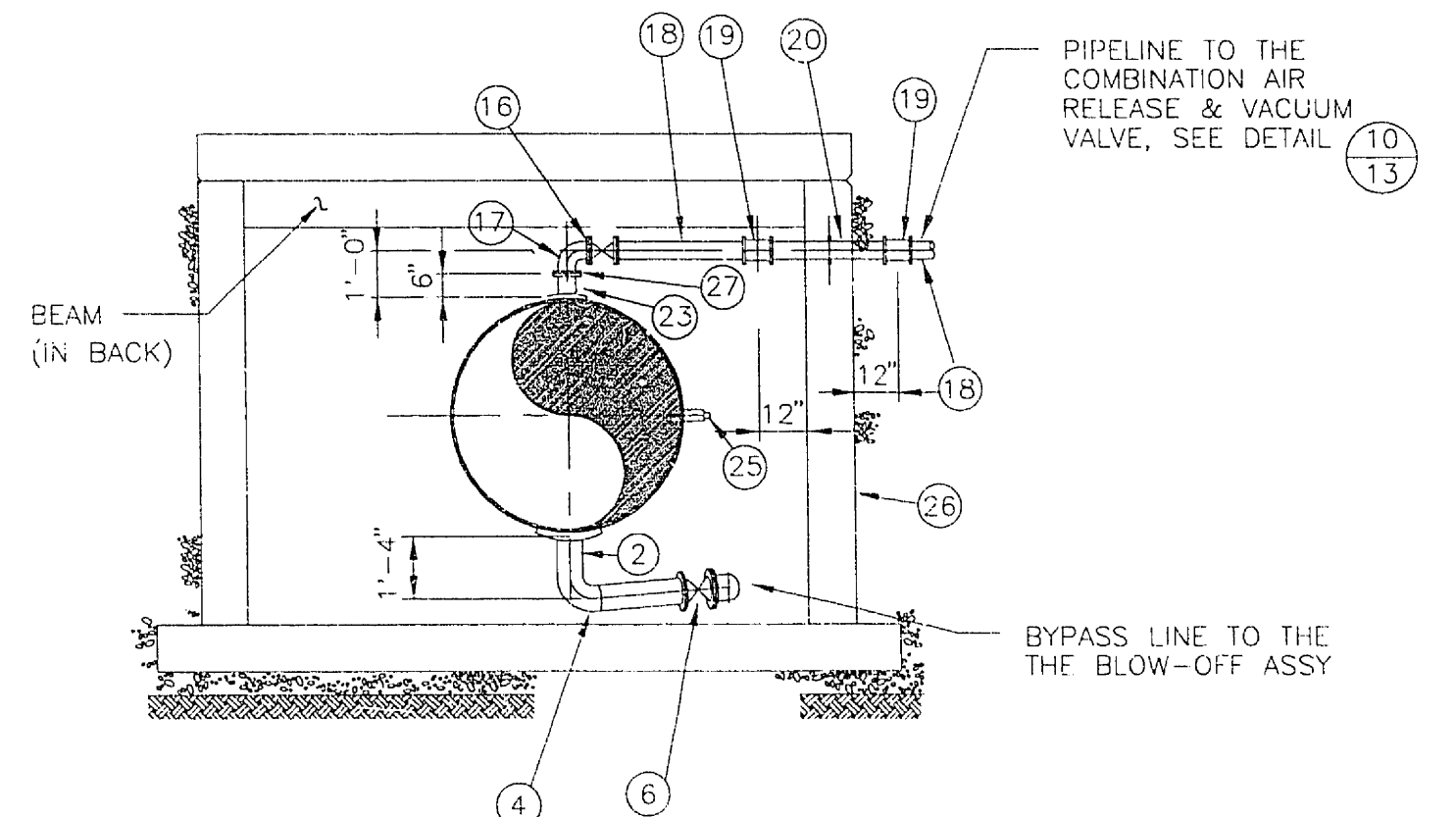
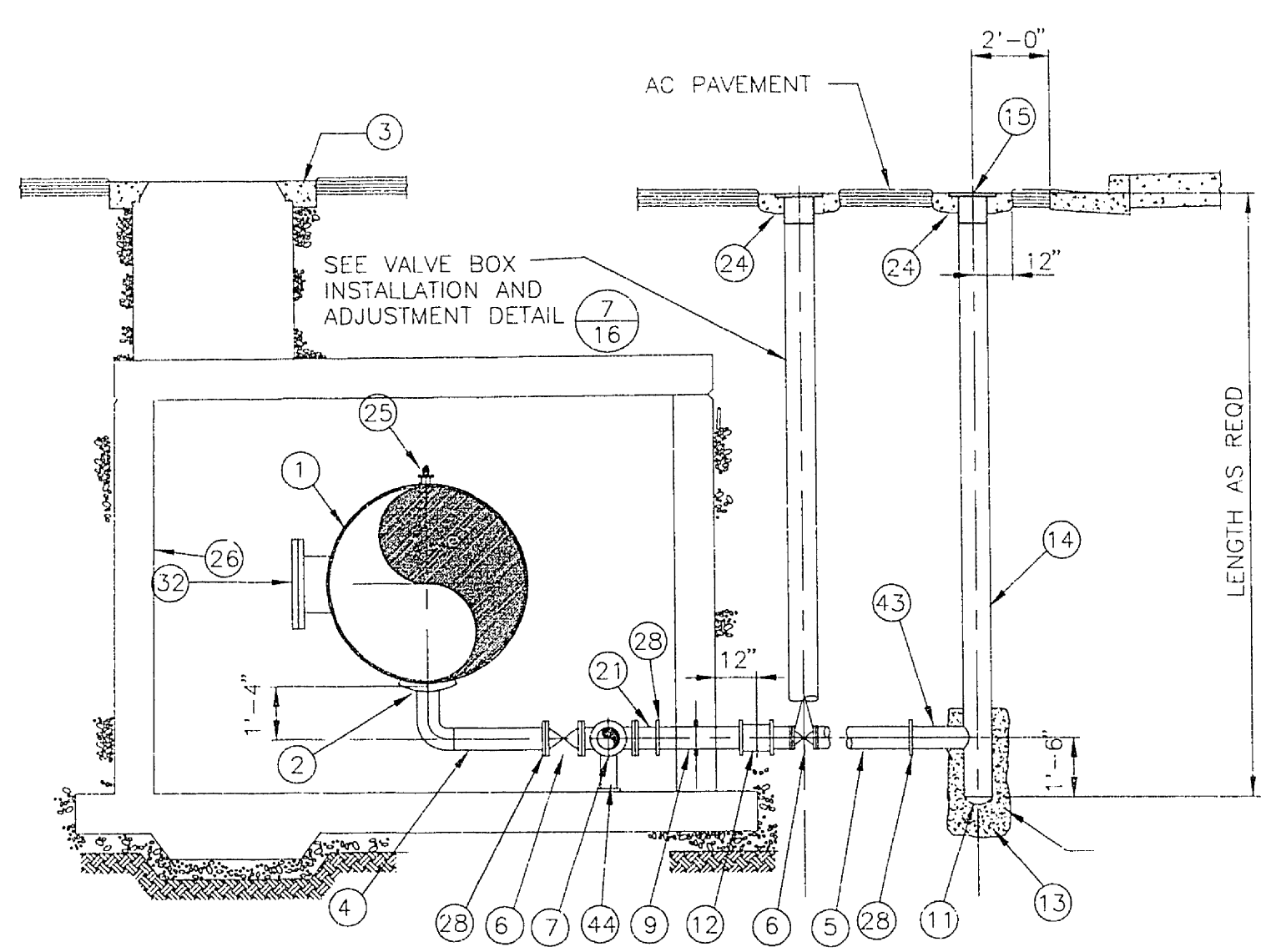
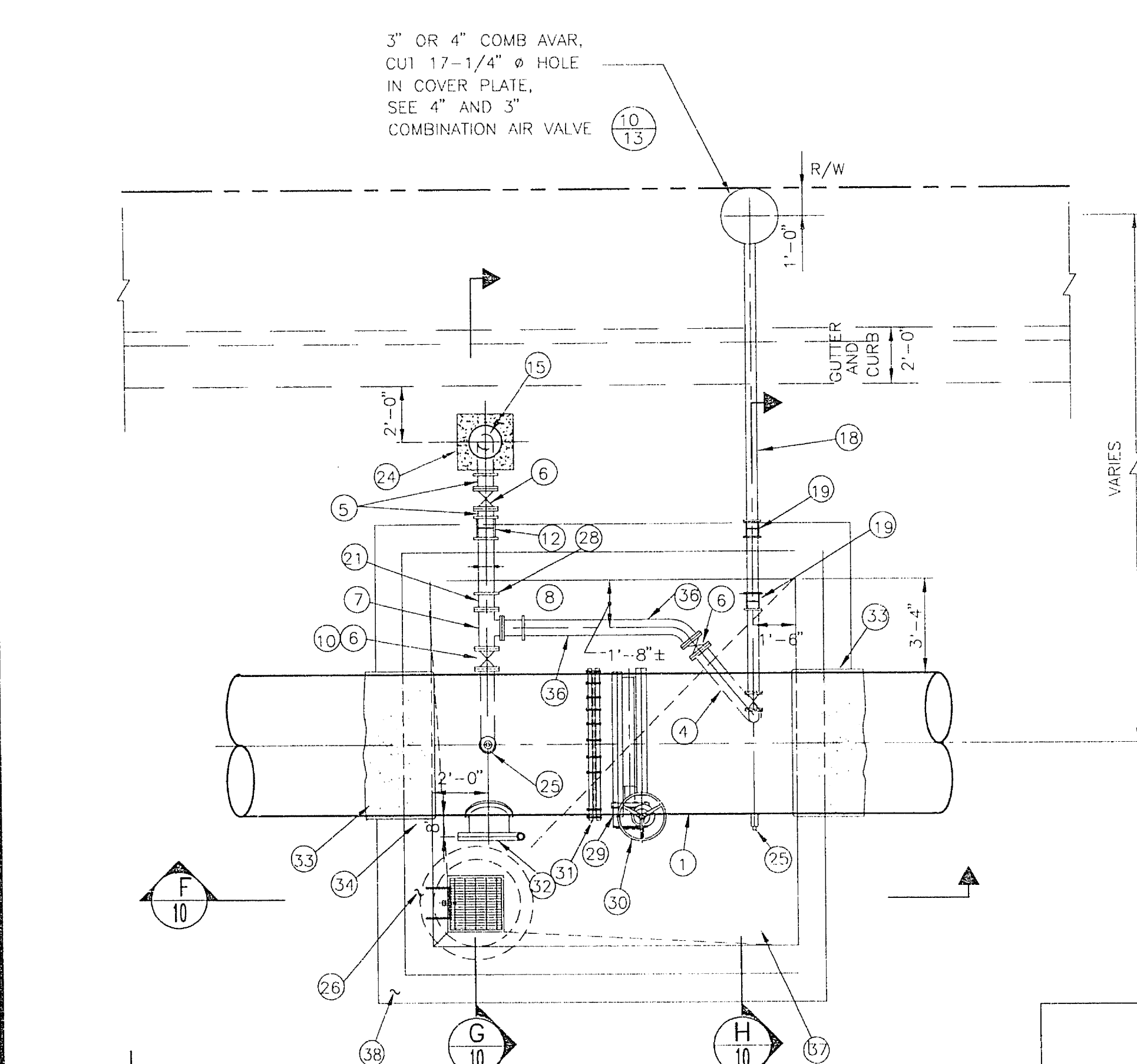
SCALE 1" = 1'

3205 ZONE RESERVOIR INLET/OUTLET PIPELINE
 54" VALVE VAULT PIPING PLAN
 STA. 51+00.00
 C:\DWG\320501\IN01-03.DWG Plot @ 03-15-96 11:30AM

DRAWN BY: GRACIA/ANGELA RIBSAGER 09/95
 CHECKED BY: RON CHAPMAN 12/09/95
 RECOMMENDED BY: EDWARD VANDER MEER 3-19-96
 4534 R.P.E. NO. DATE
 ACCEPTED BY: EDWARD VANDER MEER
 R.P.E. NO. DATE

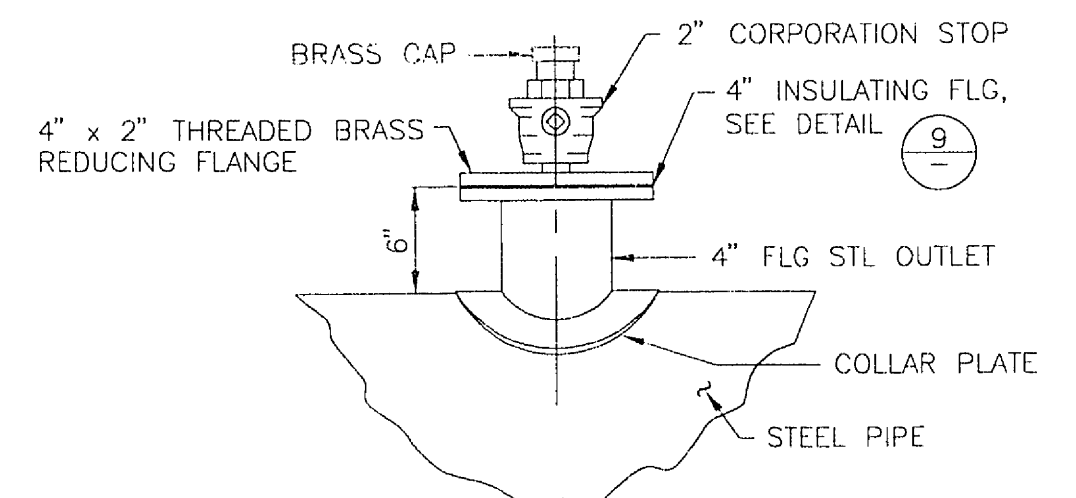
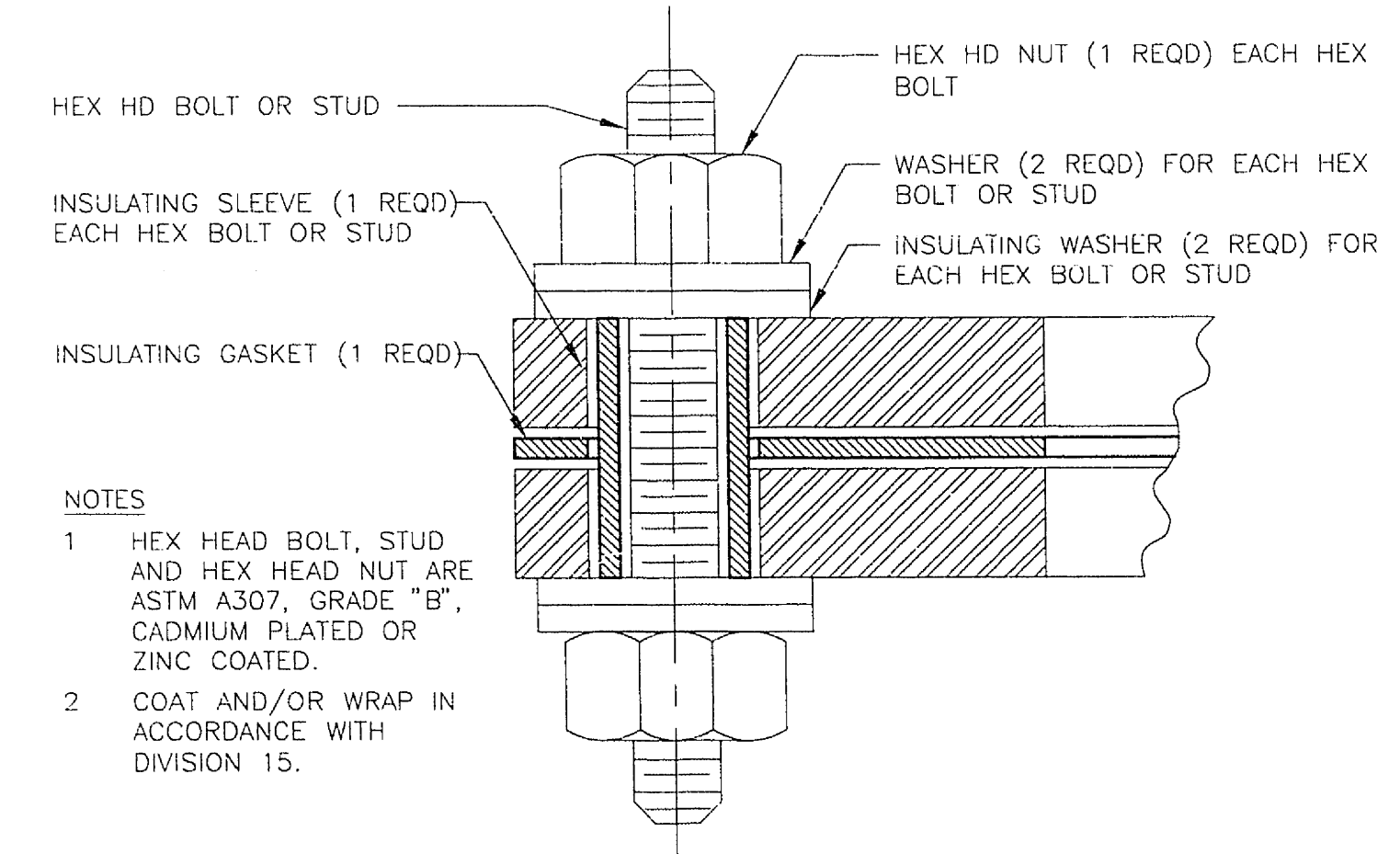
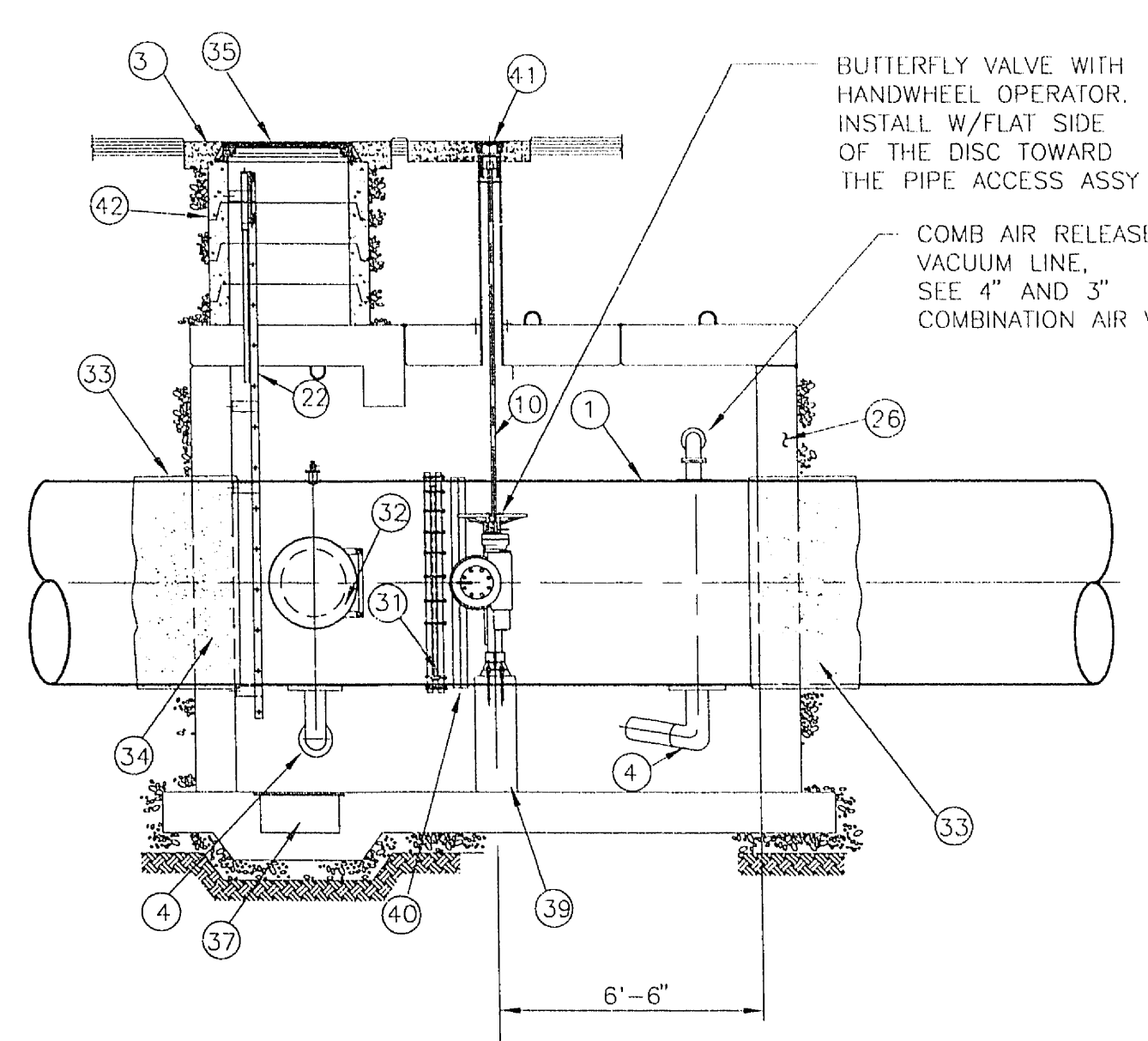


CONTRACT NUMBER
770
 DRAWING NUMBER D3
 SHEET 10 OF 19



PIPING PLAN (E 10)
 SCALE: 1/4" = 1'-0"

DESCRIPTIONS		
ITEM	DESCRIPTION	DESCRIPTION
1	ML PIPE, SEE SPECS, DIVISION 29	17 4" - 90° WELDED STEEL ELBOW
2	6" STEEL OUTLET	18 4" DI CLASS 51 PLAIN END x FLANGED PIPE, WRAP W/2 LAYERS OF POLYETHYLENE FILM PER SPECS
3	10" THICK CONCRETE COLLAR	19 4" STL COUPLING, DRESSER STYLE 138 OR APPVD EQUAL
4	6" - 90° STEEL ELBOW W/ WELDED SHORT PIECE WITH FLANGE	20 4" PLAIN END SCH 40 FABRICATED STL MLC WALL SPOOL W/WALL FLG
5	6" SCH 40 MLC STL PIPE	21 6" SCH 40 ML FLANGED & GROOVED END STL PIPE
6	6" FLANGED GATE VALVE NRS (W/2" SQ OPERATING NUT FOR G.V. OUTSIDE VAULT)	22 GALVANIZED CARBON STEEL LADDER
7	6" STL FLANGED TEE	23 4" FLANGED STEEL OUTLET
8	6" FLANGED COUPLING ADAPTER, DRESSER STYLE 128 OR APPVD EQUAL	24 24" SQ x 6" THK CONC COLLAR, CONC TO BE 1/8" TO 1/4" BELOW FINAL STREET GRADE
9	6" PLAIN & GROOVED END SCH 40 FABRICATED STL MLC WALL SPOOL W/WALL FLG	25 CORP STOP, SEE DETAIL 8 ON THIS SHT
10	1-1/2" Ø VALVE STEM EXTENSION W/UNIVERSAL JOINT AT VALVE AND NEAR TOP OF VAULT - GOES UP THROUGH ROOF TO STREET	26 VAULT WALL
11	8" STL BUMPED HEAD	27 4" STEEL WELDING NECK FLANGE
12	6" STL COUPLING, DRESSER STYLE 38 OR APPVD EQUAL	28 6" MECHANICAL COUPLING
13	ENCASE BUMPED HEAD IN 4" CONCRETE ALL AROUND	29 BUTTERFLY VALVE
14	8" SCH 30 MLC STL PIPE	30 BUTTERFLY VALVE OPERATOR
15	BLOW-OFF COVER ASSEMBLY, SEE DETAIL 2 ON SHT 14	31 FLANGED COUPLING ADAPTER
16	4" FLANGED GATE VALVE	32 20" ACCESS MANWAY, SEE DETAIL 1 ON SHT 12
		33 MLC PIPE, SEE SPECS, DIVISION 29
		34 WALL PENETRATION, SEE DETAIL 3 ON SHT 11
		35 36" Ø CI MANHOLE FRAME & COVER
		36 6" SCH 40 ML WELDED x FLANGED STL PIPE WITH 45° BEND
		37 2' SQUARE SUMP, SEE SECTION B ON SHT 8
		38 CONCRETE FOOTING, SEE SECTION B ON SHT 8
		39 PIPE SUPPORT, SEE DETAIL 6 ON SHT 11
		40 INSULATING FLANGE, SEE DETAIL 9 ON THIS SHT
		41 VALVE BOX IN VAULT, SEE DETAIL 7 ON SHT 13
		42 36" PRECAST MANHOLE SECTIONS SEE SECTION C ON SHT 8
		43 6" SCH 40 MECHANICAL COUPLING X PLAIN END MLC PIPE
		44 PIPE SUPPORT BY GRINNEL OR APPROVED EQUAL



PIPING PROFILE (F 10)
 SCALE: 1/4" = 1'-0"

INSULATING FLANGE DETAIL (9)
 NOT TO SCALE

CORP STOP DETAIL (8)
 NOT TO SCALE

