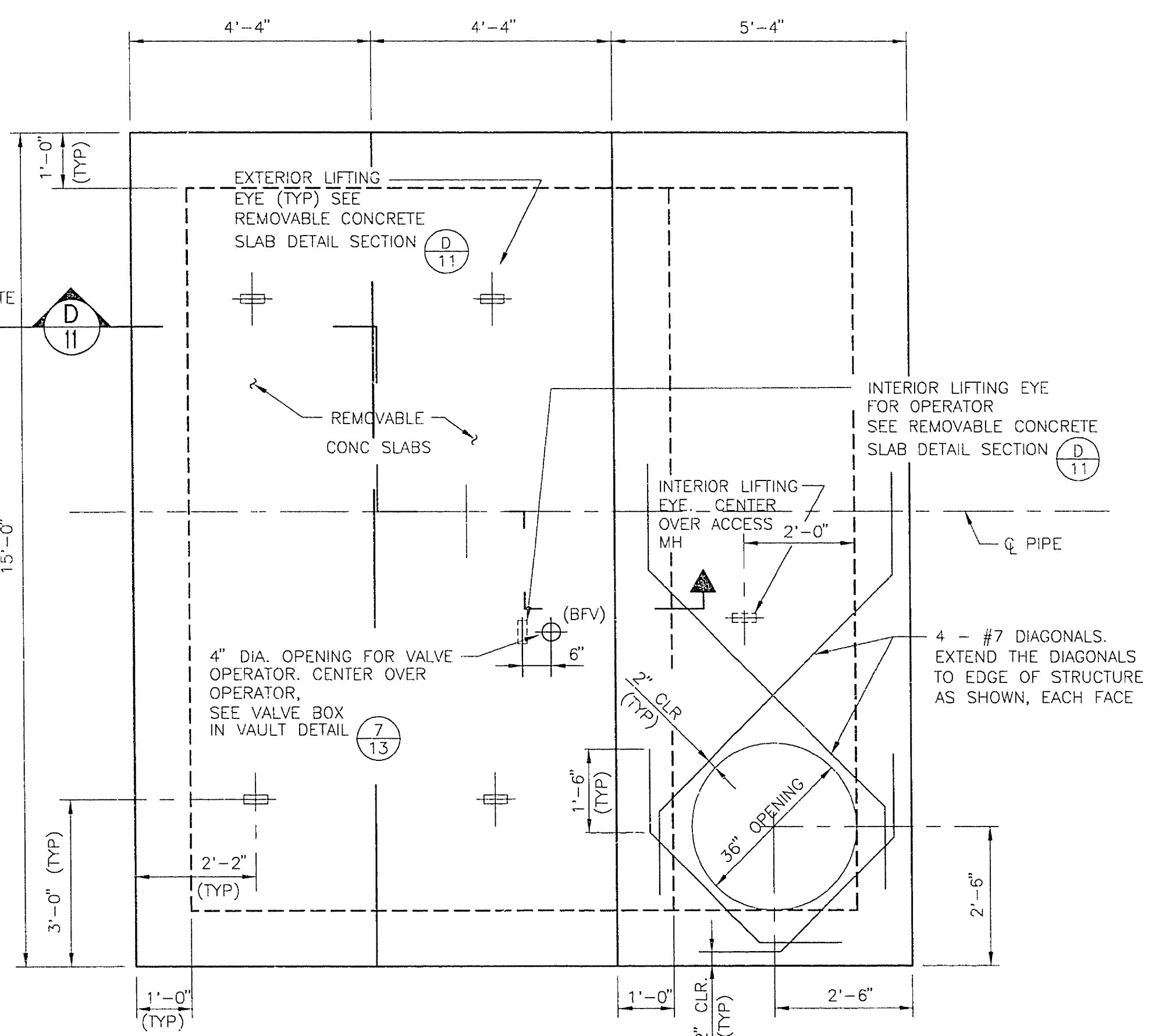
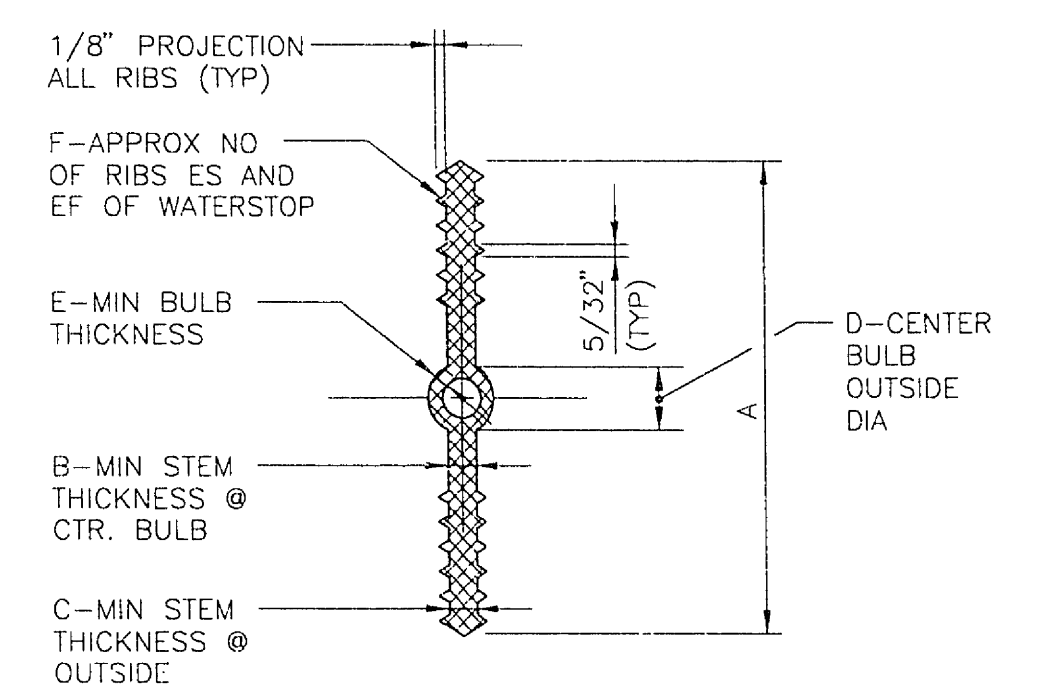


SECTIONAL PLAN
 SCALE: 1/2" = 1'-0"



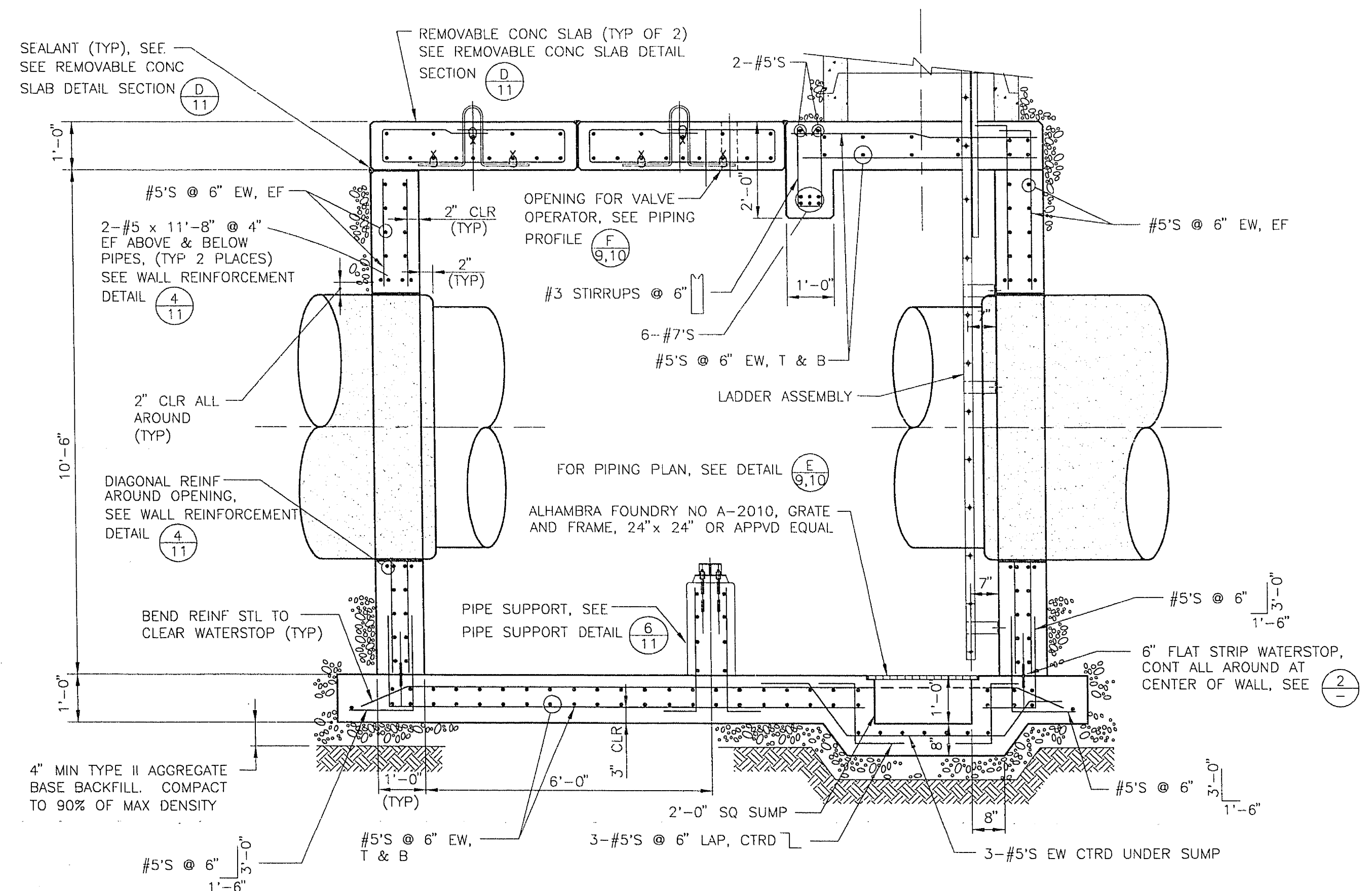
ROOF PLAN
 SCALE: 1/2" = 1'-0"



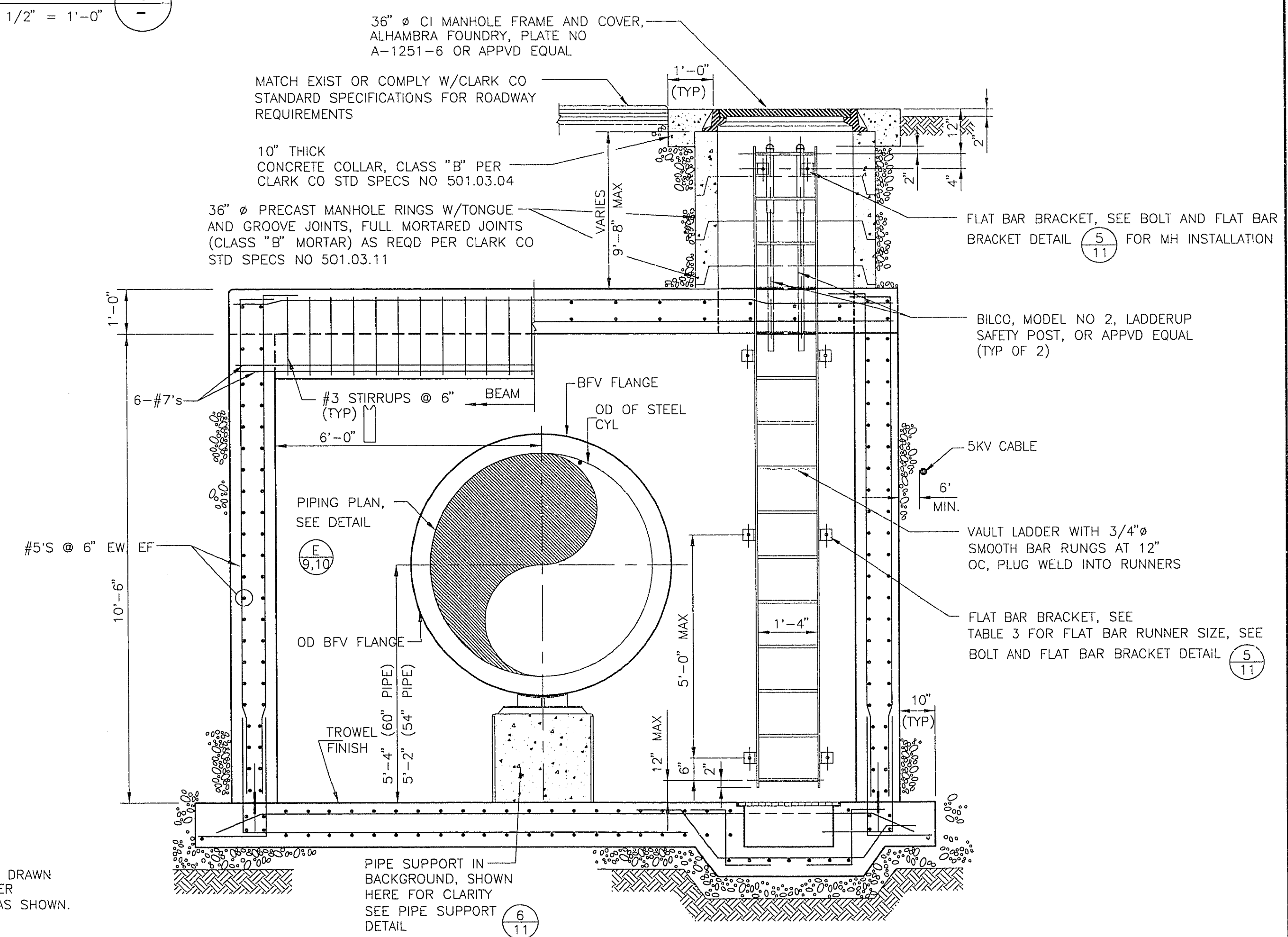
SIZE	A	B	C	D	E	F
6" x 3/8"	6"	3/8"	3/8"	7/8"	1/4"	6"

- NOTES**
- MATERIAL QUALITY PER SPECIFICATIONS.
 - DIMENSION REQUIREMENTS INDICATED SHOULD BE GIVEN TO SUPPLIERS PRIOR TO PLACING ORDERS.
 - NON-ROUND CENTER BULBS SHALL HAVE A MIN OUTSIDE DIMENSION OF "D".

WATERSTOP DETAIL
 NOT TO SCALE



SECTION B
 SCALE: 1/2" = 1'-0"



SECTION C
 SCALE: 1/2" = 1'-0"

NOTE:
 PIPE AND ITS LOCATION ARE DRAWN USING 60" PIPE. USE PROPER DIMENSIONS FOR 54" PIPE AS SHOWN.

