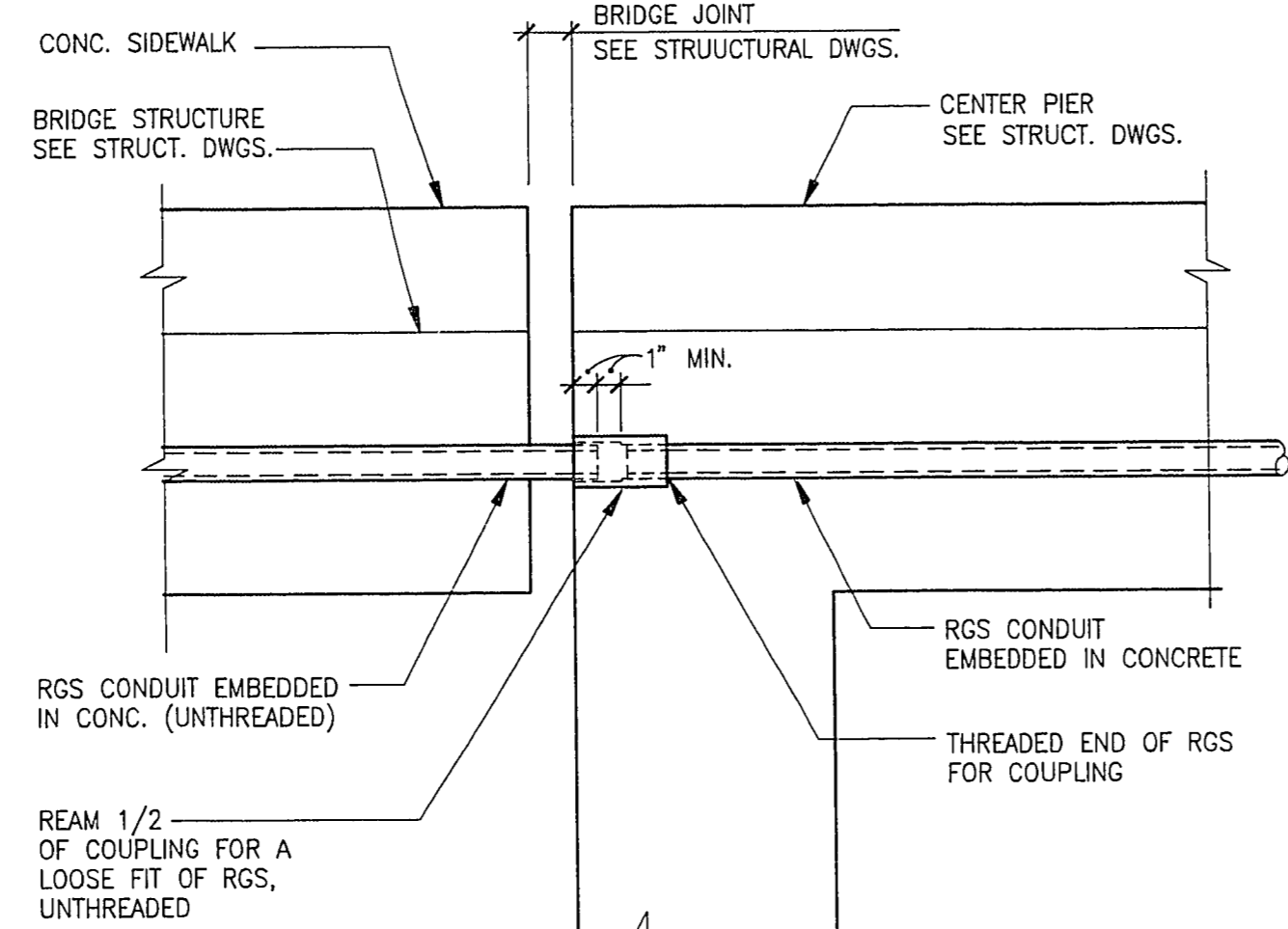
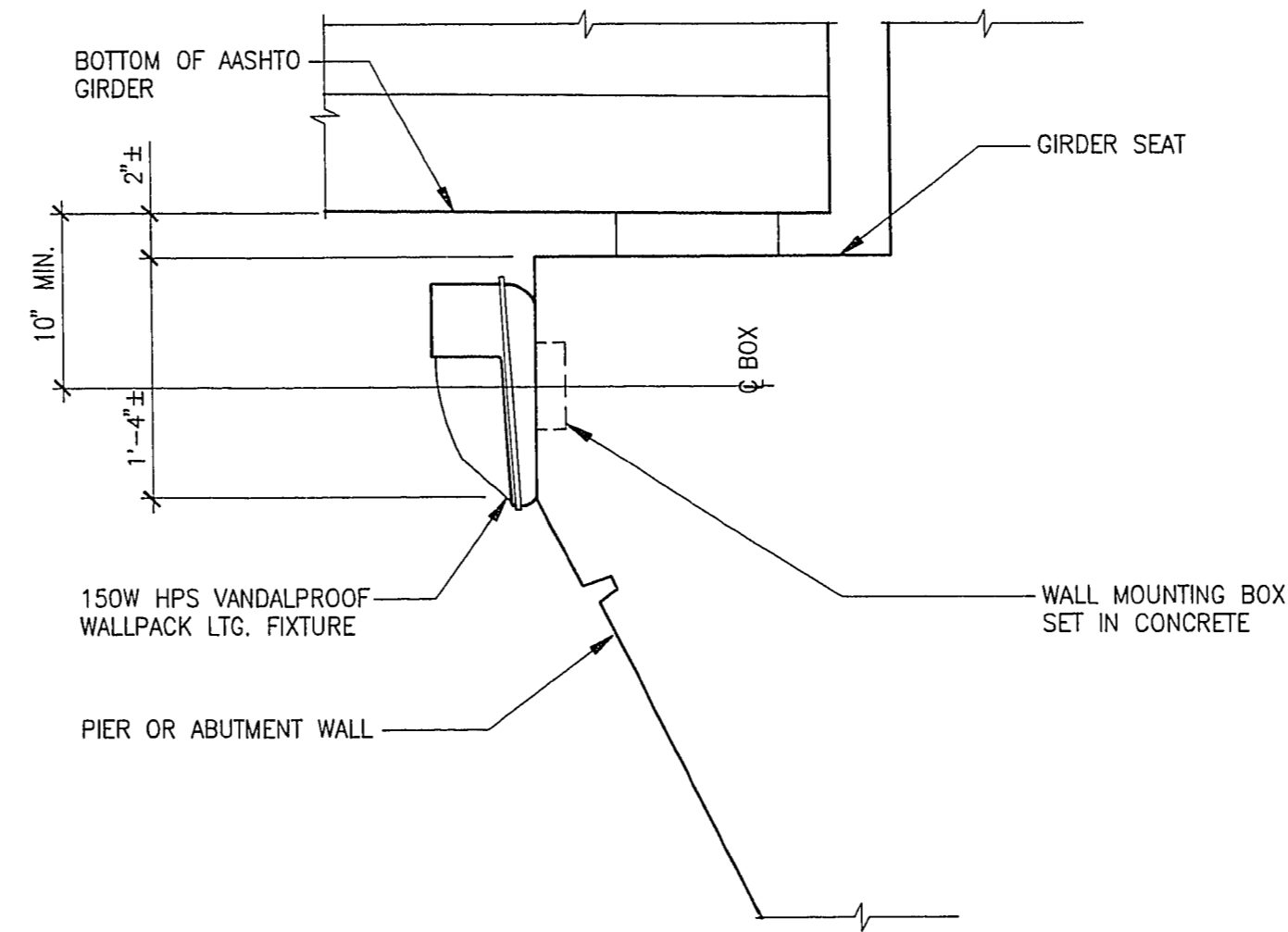


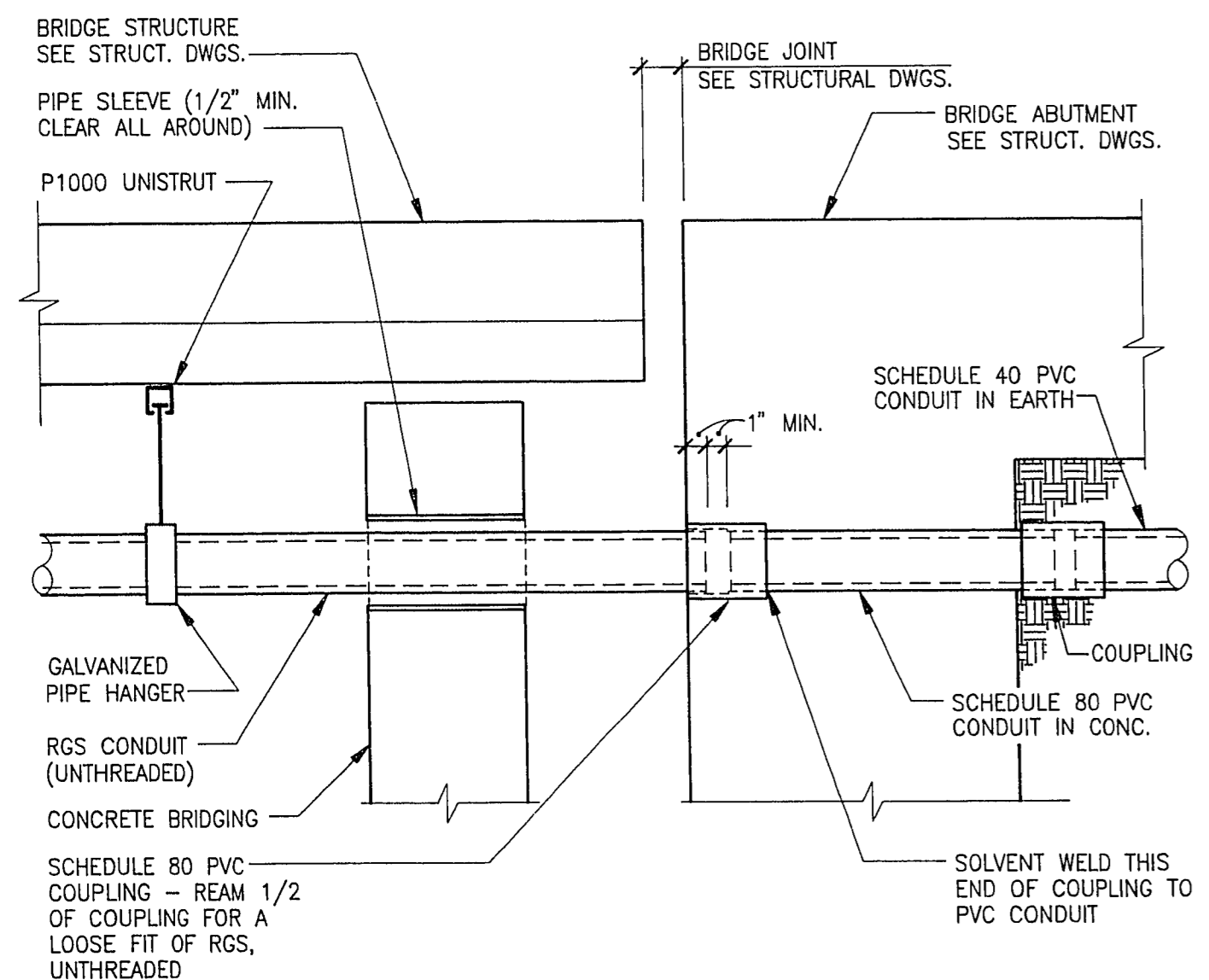
TYPICAL CONDUIT JT. @ CENTER PIER 1
SCALE : 1 1/2" = 1'-0"



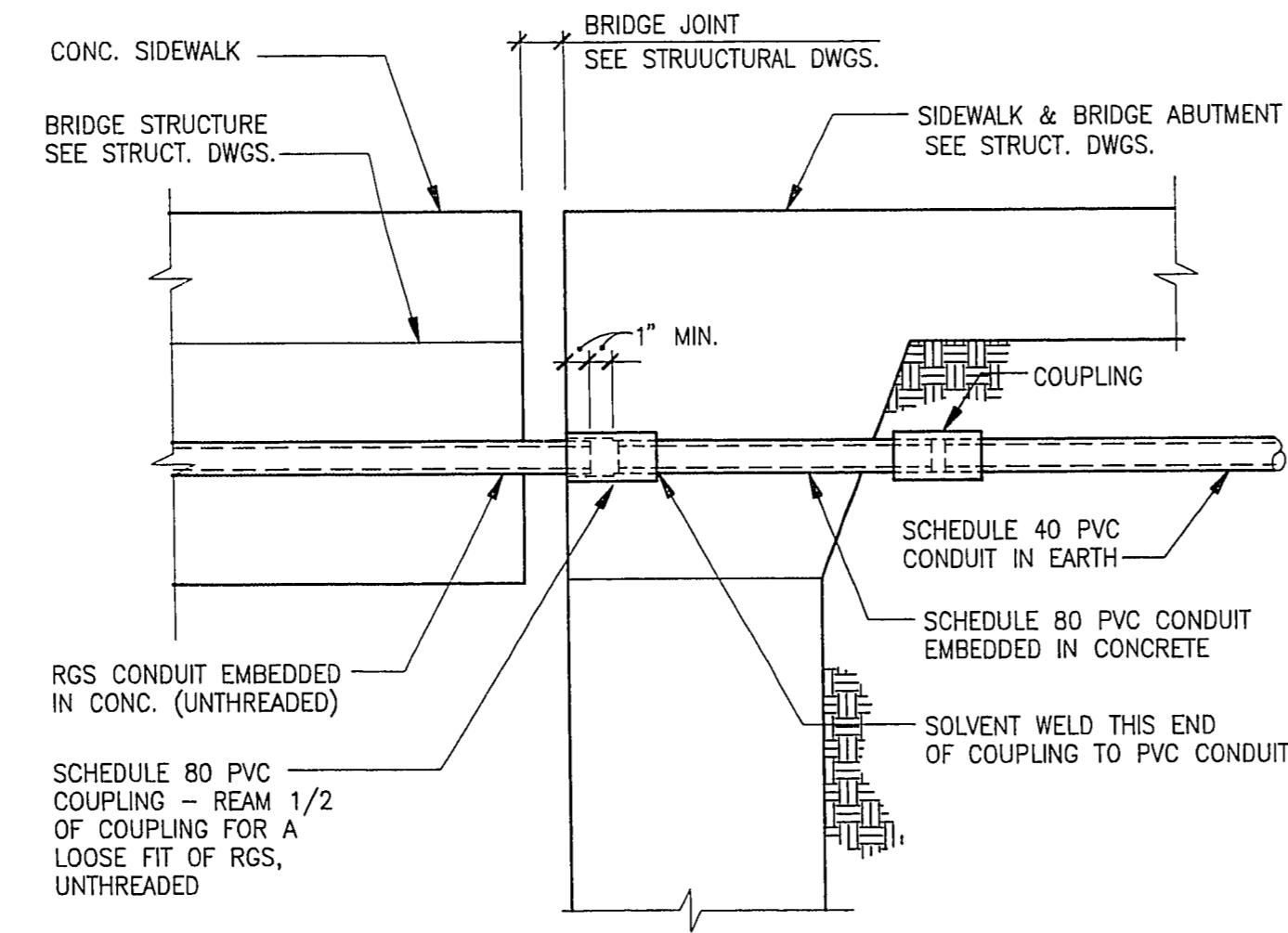
STREET LIGHT CONDUIT JT. @ CENTER PIER 2
SCALE : 1 1/2" = 1'-0"



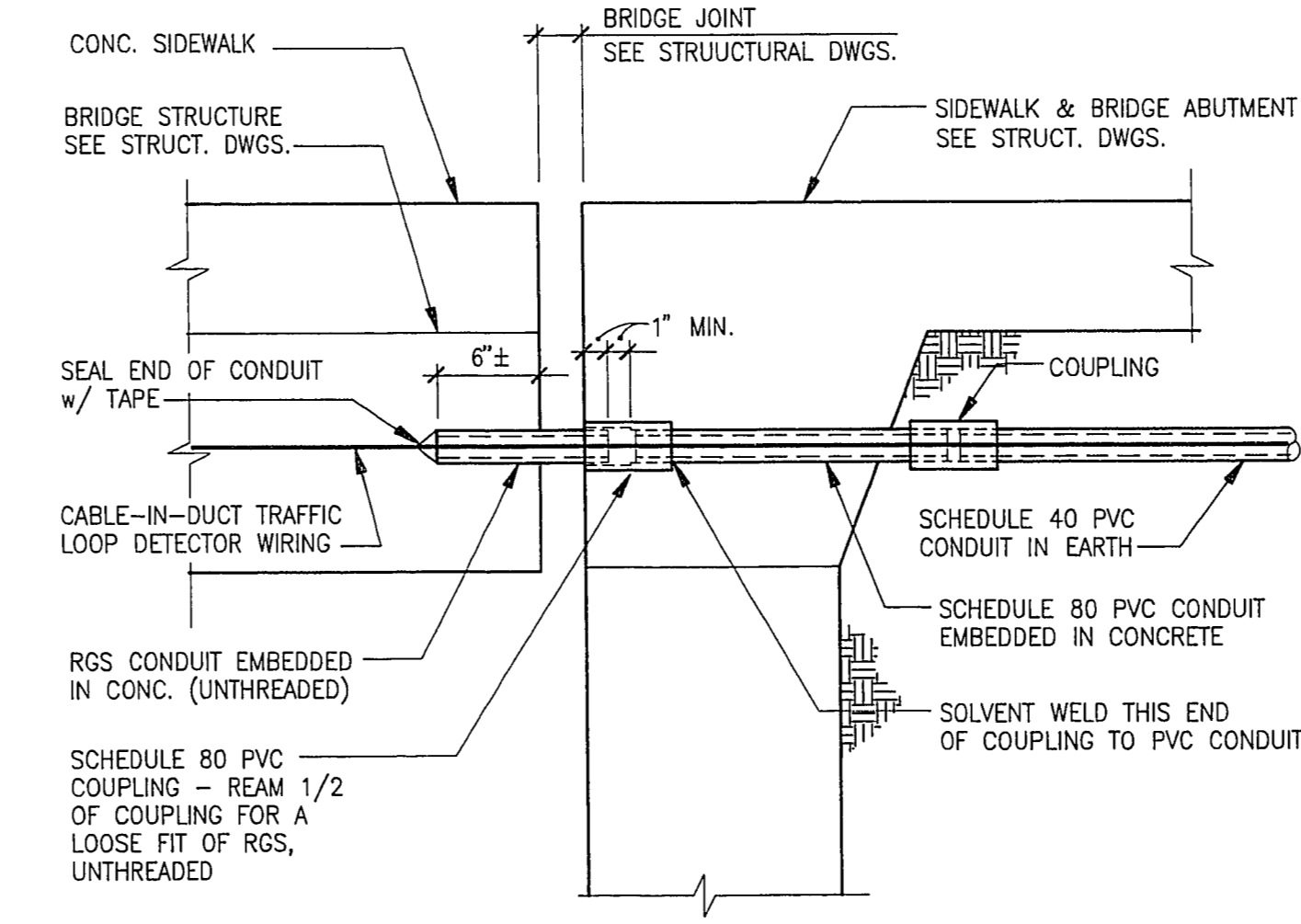
SECTION at WALLPACK LTG. 3
SCALE : 1" = 1'-0"



TYP. CONDUIT JT. @ ABUTMENT 4
SCALE : 1 1/2" = 1'-0"



STREET LIGHT CONDUIT JT. @ ABUTMENT 5
SCALE : 1 1/2" = 1'-0"



CONDUIT JT. FOR LOOP DETECTORS 6
SCALE : 1 1/2" = 1'-0"

GENERAL NOTES :

- ALL CONSTRUCTION SHALL BE IN ACCORDANCE WITH THE "CLARK COUNTY IMPROVEMENT STANDARDS" AND "UNIFORM STANDARD SPECIFICATIONS FOR PUBLIC WORKS CONSTRUCTION, OFFSITE IMPROVEMENTS, CLARK COUNTY, NEVADA" DATED 1986, UNLESS OTHERWISE SPECIFIED OR SHOWN ON THE CONTRACT DRAWINGS OR OTHERWISE DIRECTED BY THE ENGINEER.
- IT SHALL BE THE RESPONSIBILITY OF THE CONTRACTOR TO CONTACT THE FOLLOWING ORGANIZATIONS TO VERIFY THE EXACT LOCATION AND DEPTH OF ALL EXISTING UNDERGROUND UTILITIES. THE ORGANIZATION SHALL BE NOTIFIED AT LEAST 72 HOURS PRIOR TO COMMENCEMENT OF CONSTRUCTION :
CALL BEFORE YOU DIG 1-800-227-2800
CLARK COUNTY SANITATION DISTRICT 458-1180
CITY OF LAS VEGAS 799-6899
- NEITHER THE OWNER NOR THE ENGINEER ASSUMES ANY RESPONSIBILITY FOR UTILITIES OR STRUCTURES NOT SHOWN OR NOT IN THE LOCATION SHOWN ON THE DRAWINGS. EXISTING WATER, GAS AND SEWER SERVICES HAVE NOT BEEN SHOWN ON THE DRAWINGS. THE CONTRACTOR RESPONSIBILITY REGARDING UTILITIES SHALL BE AS REQUIRED UNDER SECTION 105.06 OF THE UNIFORM STANDARD SPECIFICATIONS FOR CLARK COUNTY AREA, NEVADA.
- THE CONTRACTOR SHALL TAKE ALL PRECAUTIONARY MEASURES NECESSARY TO PROTECT EXISTING IMPROVEMENTS, WHICH ARE TO REMAIN IN PLACE, FROM DAMAGE AND ALL SUCH IMPROVEMENTS OR STRUCTURES DAMAGED BY THE CONTRACTOR'S OPERATION SHALL BE REPAIRED OR RECONSTRUCTED SATISFACTORY TO THE ENGINEER AT THE EXPENSE OF THE CONTRACTOR.
- ALL BARRICADING AND TRAFFIC CONTROL DEVICES OR METHODS USED DURING CONSTRUCTION SHALL BE IN ACCORDANCE WITH THE "UNIFORM STANDARD SPECIFICATIONS FOR PUBLIC WORKS CONSTRUCTION, OFFSITE IMPROVEMENTS, CLARK COUNTY AREA, NEVADA", DATED 1986 OR "STATE OF NEVADA WORK ZONE TRAFFIC CONTROL HANDBOOK", DATED 1985, AND "MANUAL ON UNIFORM TRAFFIC CONTROL DEVICES", REVISION No. 4, MARCH 1986.
- REMOVAL OR RELOCATION OF POWER POLES, JOINTLY OWNED POLES AND APPURTENANCES WHICH INTERFERE WITH IMPROVEMENTS REQUIRED TO BE CONSTRUCTED UNDER THIS CONTRACT, SHALL BE THE RESPONSIBILITY OF THE RESPECTIVE UTILITY COMPANY.
- ALL TRAFFIC SIGNS NOT SPECIFICALLY NOTED TO BE RELOCATED OR MAINTAINED SHALL BE REMOVED AND SALVAGED BY THE CITY OF LAS VEGAS PUBLIC WORKS DEPARTMENT. THE CONTRACTOR SHALL PRESERVE AND PROTECT SUCH SIGNS UNTIL REMOVED.
- THE SOUTHWEST GAS COMPANY SHALL BE RESPONSIBLE FOR THE REMOVAL OR RELOCATION OF ALL GAS LINES AND APPURTENANCES WHICH INTERFERE WITH IMPROVEMENTS SHOWN ON THE CONTRACT DRAWINGS.
- PROTECTION AND REPLACEMENT OF SURVEY MONUMENTS OR PROPERTY STAKES NOT DELINEATED ON THE CONTRACT DRAWINGS SHALL BE THE CONTRACTOR'S RESPONSIBILITY.
- INTERCONNECT CONDUIT MAY BE PLACED IN THE SAME TRENCH AS STREET LIGHTING CONDUIT, BUT WHEN STREET LIGHTING CONDUIT IS IN THE SAME TRENCH AS INTERCONNECT CONDUIT, THE STREET LIGHTING CONDUIT SHALL PASS UNDER INTERCONNECT PULL BOXES, INTERCONNECT AND STREET LIGHTING CONDUIT SHALL HAVE A MINIMUM SEPARATION OF 12" IN ALL TRENCHES.
- ALL CONDUITS AND PULL BOXES SHALL BE PLACED WITHIN THE EXISTING RIGHT-OF-WAY.
- ALL PULL BOXES SHALL BE No. 5 EXCEPT AS NOTED, WITH COVERS MARKED "TRAFFIC SIGNAL" IF USED FOR SIGNAL CONDUCTORS OR INTERCONNECT CABLE. PULL BOXES USED FOR STREET LIGHTING SHALL HAVE METAL COVERS MARKED "STREET LIGHTING".
- CONDUIT LOCATIONS AS SHOWN ON THE DRAWINGS ARE FOR CLARITY OF RUNS ONLY. ALL CONDUIT RUNS EITHER SINGLE OR MULTIPLE SHALL RUN FROM CORNER TO CORNER. MULTIPLE RUNS NOT TERMINATING IN THE SAME PULL BOX SHALL PASS UNDER THE PULL BOX USING 90' SWEEPERS AND CONTINUING ON TO THE NEXT CORNER OR TERMINATION POINT. MULTIPLE CONDUIT RUNS SHALL BE PLACED IN THE SAME TRENCH WHENEVER POSSIBLE.

ESTIMATED QUANTITIES :

STREET LIGHT FOUNDATIONS	61 EA.
STREET LIGHT FOUNDATIONS (TYPE "L" & ADAPTOR)	5 EA.
250 WATT LUMINAIRE AND POLE	64 EA.
LIGHTING UNDER BRIDGE STRUCTURE	1 LS
ELECTRICAL SERVICE CONNECTION	1 LS
1 1/4" PVC CONDUIT w/WIRE IN PLACE	11,140 L.F.
1 1/4" CONDUIT w/ 12/c #18 AWG	1 LS
1 1/2" PVC CONDUIT FOR FUTURE TRAFFIC SIGNALS	1,650 L.F. Δ
2" PVC CONDUIT FOR FUTURE INTERCONNECT CABLE	3,450 L.F.
3" PVC CONDUIT FOR FUTURE TRAFFIC SIGNALS	1,350 L.F.
3" CONDUIT FOR FUTURE UTILITIES	520 L.F.
No. 3 1/2 PULL BOXES	17 EA. Δ
No. 5 PULL BOXES	24 EA.
No. 7 PULL BOXES	10 EA.
PREFORMED TRAFFIC LOOP DETECTORS	1 LS
CONNECT CONDUIT TO EXIST. STREET LIGHT BASE	2 EA.
SIGNALIZE BUFFALO AT RAMP 1 & 2	1 LS
SIGNALIZE BUFFALO AT RAMP 3, 4, & 5	1 LS
2" CONDUIT FOR CATV	4252 LF. Δ

GB&S CONSULTING ENGINEERS

DATE	DESCRIPTION	BY	DATE	DESCRIPTION	BY
1/9/92	RELEASED FOR BIDDING	HW	1/9/92	ADDED No. 1	HW
3/16/92	ADDED No. 1	HW	6-3-92	CHANGE ORDER #1	HW
4/23/91					

3650 S. EASTERN AVE. • SUITE 220 • LAS VEGAS, NEVADA 89109
3650 S. EASTERN AVE. • SUITE 220 • LAS VEGAS, NEVADA 89109
3650 S. EASTERN AVE. • SUITE 220 • LAS VEGAS, NEVADA 89109

ELECTRICAL NOTES & DETAILS
BUFFALO INTERCHANGE
with SUMMERLIN PARKWAY
and BUFFALO DRIVE ROADWAY BETWEEN WESTCLIFF AND WASHINGTON
CITY OF LAS VEGAS, NEVADA

