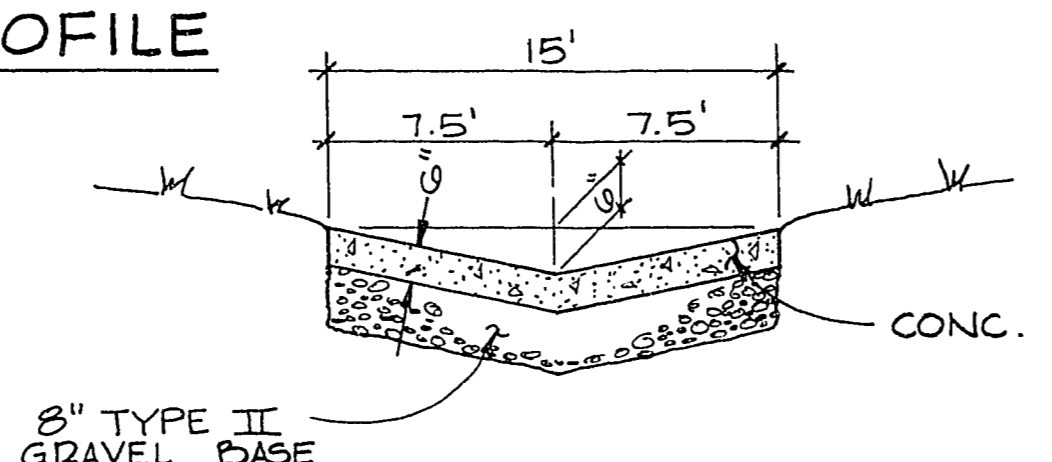


KNUCKLE PROFILE

PROFILE

SCALE: HORIZ. 1" = 30'  
VERT. 1" = 3'



CONC. GUTTER

APPROVALS:

*J. ...*  
CITY ENGINEER

11/21/75  
DATE

*J. D. ...*  
FIELD ENGINEER

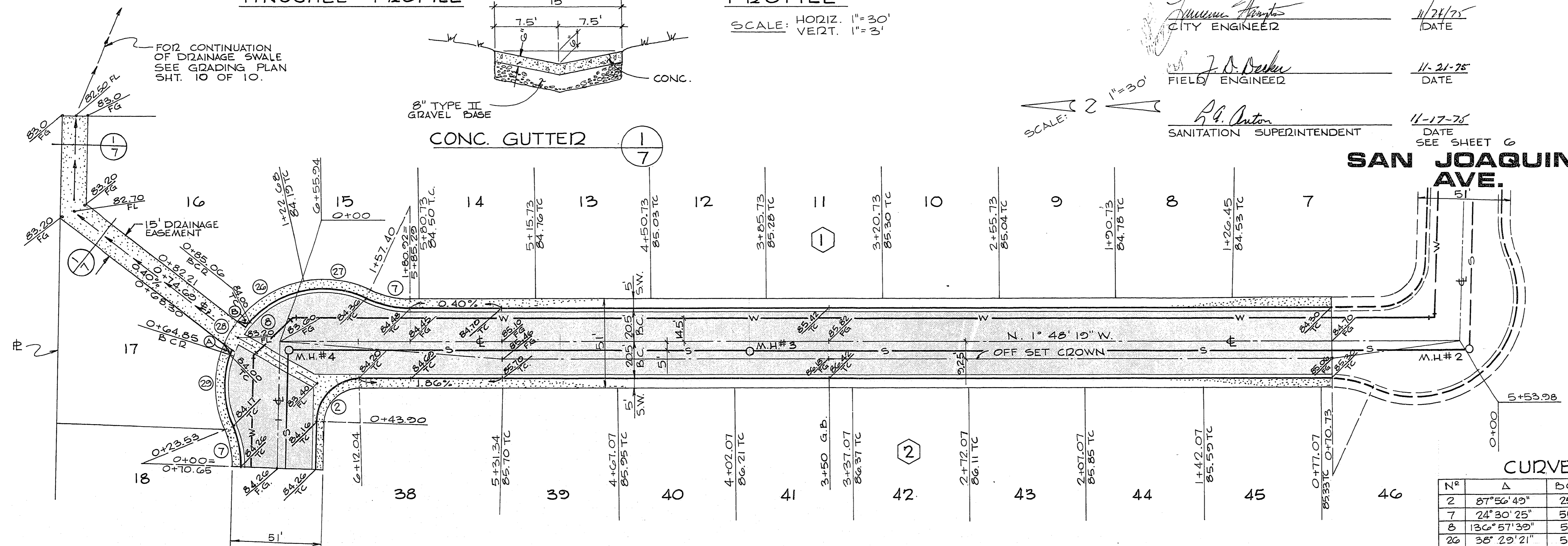
11-21-75  
DATE

*R. G. ...*  
SANITATION SUPERINTENDENT

11-17-75  
DATE

SEE SHEET 6

**SAN JOAQUIN AVE.**



CURVE DATA

N <sup>o</sup>	Δ	BCR	L	T
2	87°56'42"	25.00'	38.374'	24.12'
7	24°30'25"	55.00'	23.525'	11.95'
8	136°57'39"	56.00'	133.860'	142.02'
26	36°29'21"	56.00'	37.62'	19.55'
27	35°31'17"	56.00'	34.718'	17.94'
28	20°40'41"	56.00'	20.21'	10.22'
29	42°16'20"	56.00'	41.32'	21.65'
A	72°14'12"	3.00'	3.78'	2.19'
B	87°05'07"	3.00'	4.56'	2.85'

**QUANTANA CT. SIERRA MADRE DRIVE**

SEE SHEET 6

DESCRIPTION

REV. DATE

11/21/75

11-21-75

11-17-75

**G.C. WALLACE**  
CONSULTING ENGINEER

1100 E. SAHARA AVE.  
LAS VEGAS, NEVADA  
PHONE 735-5109

BECKER & SONS  
CHARLESTON HEIGHTS TRACT NO. 52  
SIERRA MADRE DRIVE

SHEET 7 OF 10 SHEETS