

GENERAL NOTES

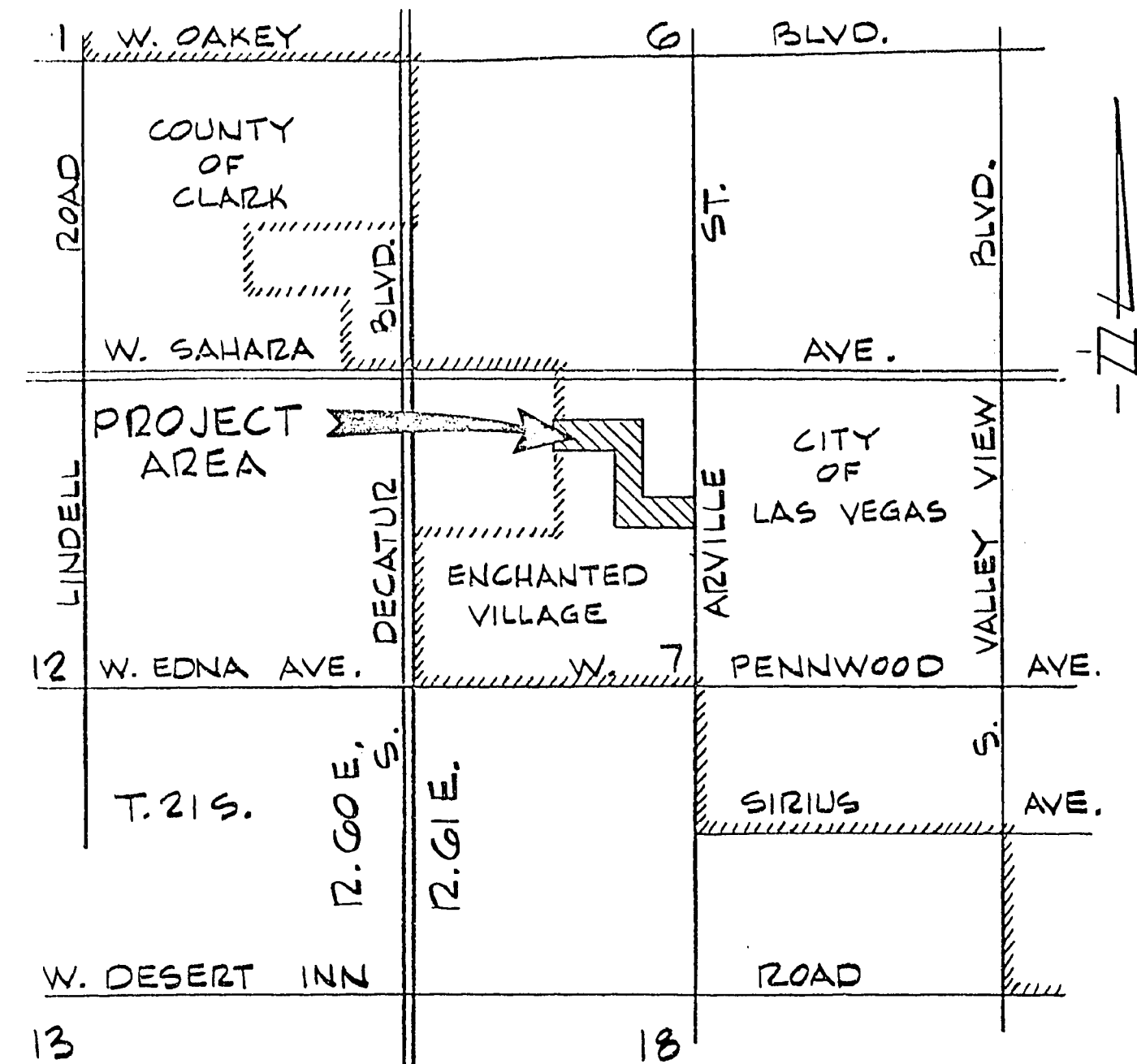
- Contractor shall provide all necessary horizontal and vertical transition between new construction and existing surfaces to provide for proper drainage and of ingress and egress to said construction, extent of transitions to be determined by City Engineer.
- Existing utilities are located on plans for the convenience of the Contractor only, the Contractor shall bear full responsibility for the protection of utilities and the Engineer bears no responsibility for utilities not shown on plans or not in the location shown on the plans.
- Construction to be per Uniform Standard Specifications and Drawings; City of Las Vegas, Nevada.
- Construction Survey:
Grades are given from top of stakes or nails. The Contractors are cautioned to observe the following rule in using the grade stakes given by this office for putting in curbs or sewers: Three consecutive points that are shown to be on the same rate of slope must be used in common in order that any variation out of a perfect straight grade may be detected, and in case any such discrepancy is found, the same must be reported, otherwise this office will not be responsible for any error in the grade of the finish work.

SEWER NOTES

- Housing services shall comply with the western plumbing code as to separation distance.
- All houses to be served individually as per Section 313 of the Uniform Plumbing Code.

STREET LIGHTING NOTES

- Street lighting standards shall be as shown by Drawing No. 4001, Page 40 of Uniform Standard Drawings and must conform to Sections 400 and 405 and any other applicable Sections of the Uniform Standard Specifications.
- On 80' R/W streets, there shall be 2 poles on diagonal corners.
- On 100' R/W streets, there shall be one (1) pole on each corner.
- Mercury vapor luminaires to be used on 51' R/W and 60' R/W streets, except at intersections, shall be 175 watt, 120/240 volt I.E.S. distribution type 3, with integral constant wattage ballast, similar to line material catalog #LM44A2 or approved equal.
- Mercury vapor luminaires to be used on 80' R/W streets and over, shall be 400 watt 240 volt, I.E.S. distribution type 3 with integral constant wattage ballast similar to General Electric type M-400 Catalog #C798G034 or approved equal.
- Mercury vapor luminaires to be used on 51' R/W and 60' R/W streets, except at intersections, shall be 175 watt, 120/240 volt I.E.S. distribution type 3 with integral constant wattage ballast, similar to line material catalog #LM44A2 or approved equal.
- 175 watt mercury vapor lamps shall be ASA Code #H39-22KC/DX
- 400 watt mercury vapor lamps shall be ASA Code #H33-IG./DX
- Photo cell and control to be 120/240 volts.
- Spacing of standards shall be 180' maximum on 51' R/W and 60' R/W streets on one side to provide 0.43 F.C.
- Spacing of standards shall be 180' maximum on 80' R/W streets on both sides staggered to provide 0.9 F.C.
- All standards to be set 18" back of curb.
- Schedule 40 rigid non-metallic conduit (PVC) or approved equal complying with Article 347 of the National Electrical Code may be used for underground applications and to be within 12" back of curb and 24" cover.
- Fuse holders and connectors shall be installed in the bases of all lighting standards, the fuse holders shall be Buss-Tron-Hex-AA.
- Base covers for lighting standards are not to be installed before breakout caps are placed and inspected. All material used in underground wiring, in breakout caps and under base covers to be inspected before installation.
- Foundations shall be constructed and located to line and grade as directed by the Field Engineer.
- Lighting standard and mast arm cable to luminaire shall be 10/2 U.F. Type 600 volt copper cable.
- The Contractor shall be responsible for avoiding damage to property, either public or private and in the event of such damage, shall make satisfactory repairs at his own expense.
- The Contractor shall furnish complete service to transformers and control systems, if required.
- The service point standard is to be installed at the approved location shown on plans and to conform to Drawing #401.1, Page 44 of the Uniform Standards Drawings.
- In the selection of 175 and 400 watt mercury vapor luminaires to be used in a particular development, one approved manufacturer shall be specified.
- These specifications to become effective on all City of Las Vegas multiple street lighting designs approved on or after September 1, 1971.
- These specifications shall be superseded by any revised specifications in existence at the time of installation.



VICINITY MAP

INDEX OF DRAWINGS

DWG. No.	TITLE
1	COVER SHEET
2	PLAT MAP
3	PLAT MAP
4	GEN. NOTES, INDEX OF DWGS., VICINITY MAP & MISC.
5	UTILITY PLAN
6	SAN JOAQUIN AVE.
7	SIERRA MADRE DRIVE
8	QUANTANA COURT & CASTELWOOD DRIVE
9	GRADING PLAN I
10	GRADING PLAN II

ESTIMATE OF QUANTITIES

STREET IMPROVEMENTS

2" A.C. PAVEMENT	2,082 SY
"L" TYPE CURB & GUTTER (2')	4,141 LF
CONC. SIDEWALK	13,218 SF
CONC. DRIVEWAY	6,600 SF
6' VALLEY GUTTER	1,454 SF

Note: TYPE V Cement Only on Concrete Work

4" ACP	132 LF
6" ACP	1,811 LF
6" GATE VALVE	3 EA
STD. F.H. W/6" G.V. & 6" ACP LATERAL	4 EA
5/8" SERVICE	55 EA
METER BOX	1 EA
2" BLOW OFF	1 EA

SEWER

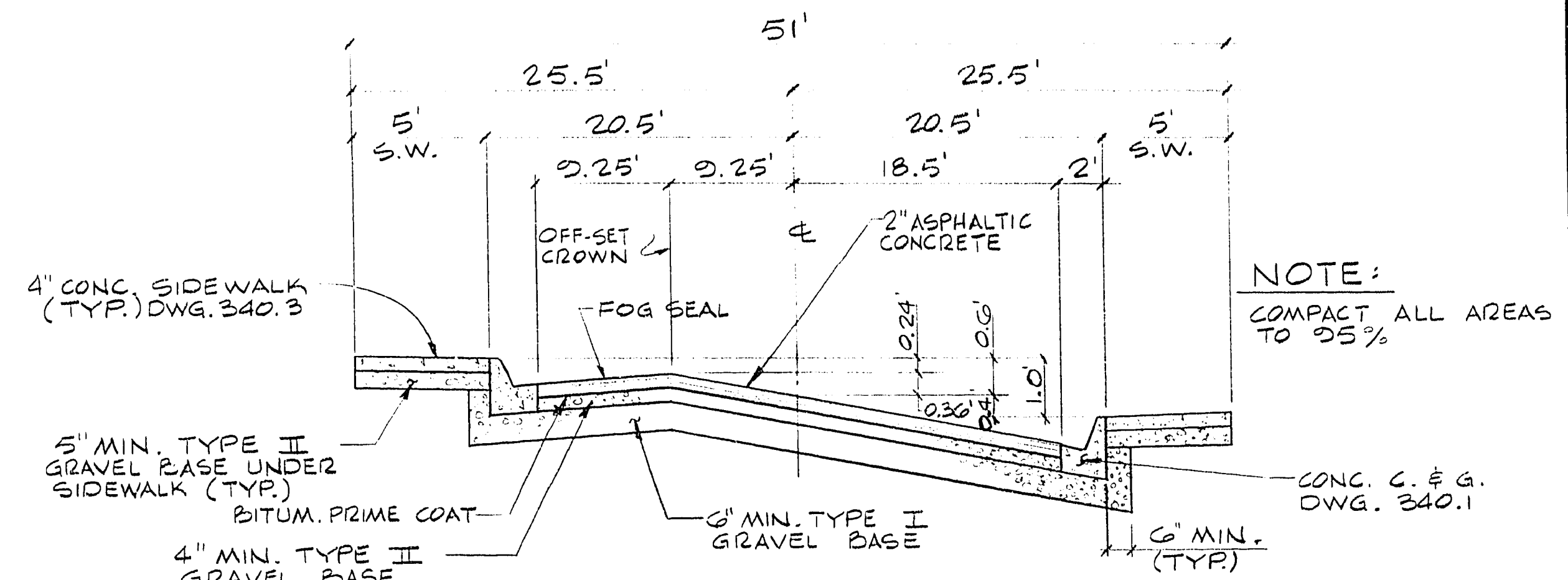
10'x6' TAPPING TEE W/6" G.V.	1 EA
STD. MANHOLE	6 EA
4" VCP (LATERALS)	1,562 LF
8" VCP	1,872 LF

STREET LIGHTS

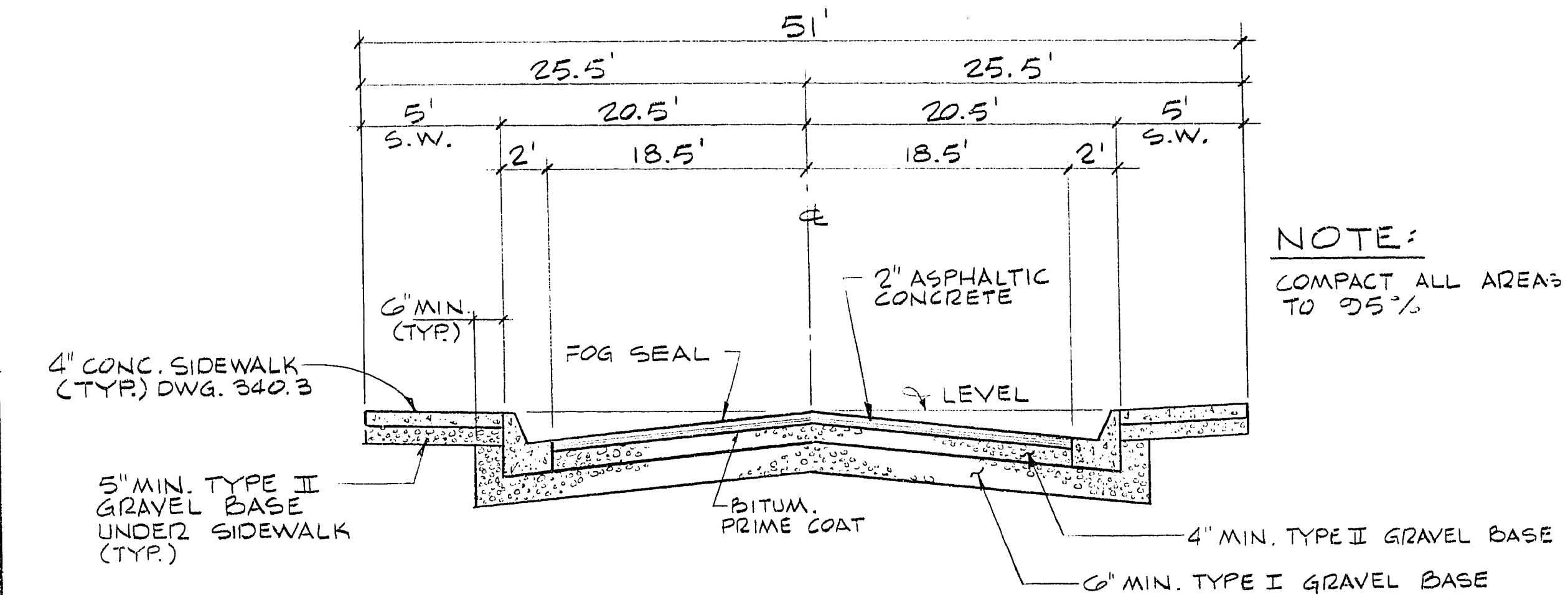
175 W. LUMINAIRE W/STD.	12 EA
1-1/4" PVC	2,069 LF
1" Pull Box No 3 1/2 w/Metal Cover	1 EA

MISCELLANEOUS

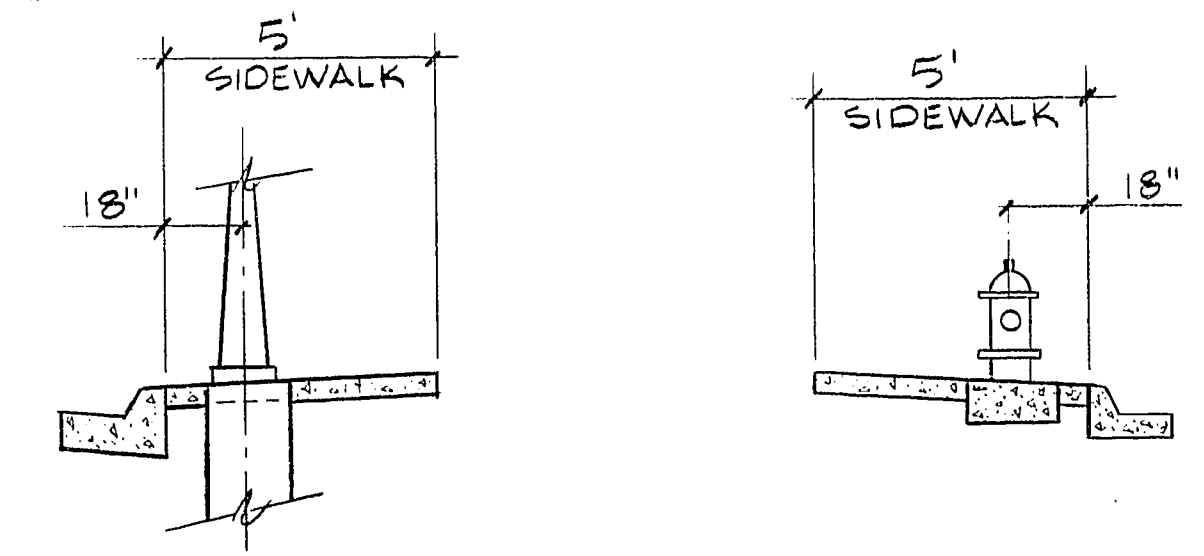
EXCAVATION	12,624 CY
CONC. VALLEY GUTTER (15' DRAINAGE EASEMENT)	3,825 SF



51' OFF-SET CROWN



TYP. STREET SECTION



ST. LIGHT & FIRE HYDRANT LOCATION DETAIL

APPROVALS:

Lawrence Hamilton
CITY ENGINEER
11/24/75
DATE

J.D. Decker
FIELD ENGINEER
11-21-75
DATE

ENGINEER'S CERTIFICATE

I hereby certify that these plans and/or specifications comply with F.H.A. objectives, minimum property standards and neighborhood requirements and represents the best of my judgement.

J.C. Walker
G.C. Wallace RPE, RLS #1815
11/17/75
Date

DESCRIPTION	REV	DATE

Becker & Sons
CHARLESTON HEIGHTS TRACT NO. 52
GENERAL NOTES, INDEX OF DWGS.
VICINITY MAP & MISC.

SHEET
4
OF 10 SHEETS

BENCH MARK

BOLT IN METAL PLATE AT CORNER OF CINDERELLA & ARVILLE ... T.C.
B.C.R. ARVILLE
C.L.V. B.M. 1G17 B.2 EL. 2180.37

288.010