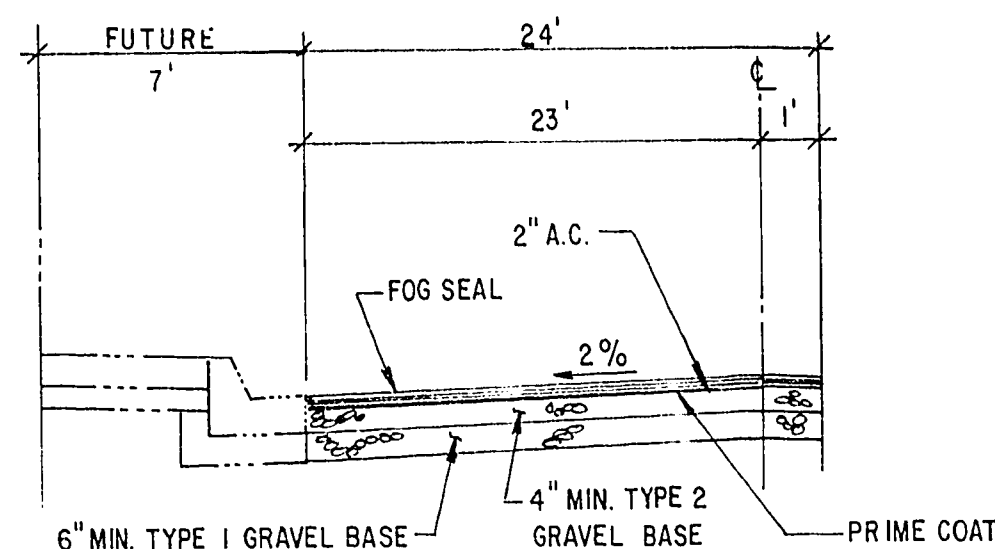
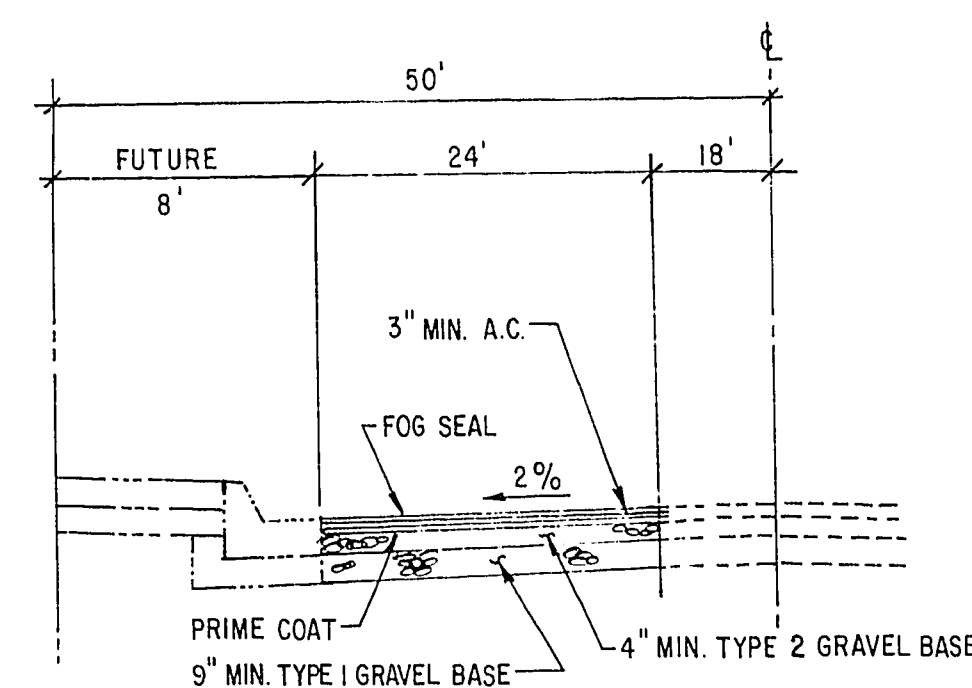


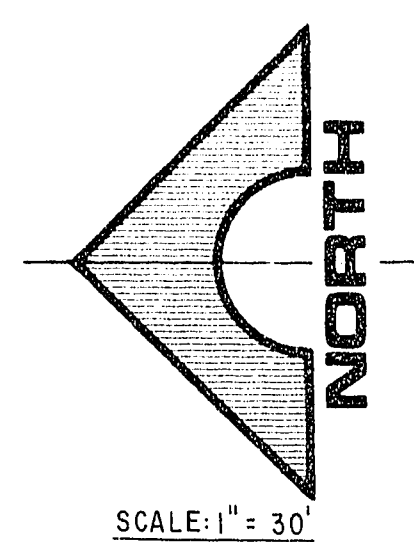
ACCESS ROAD SECTIONS



BROADRIVER DRIVE

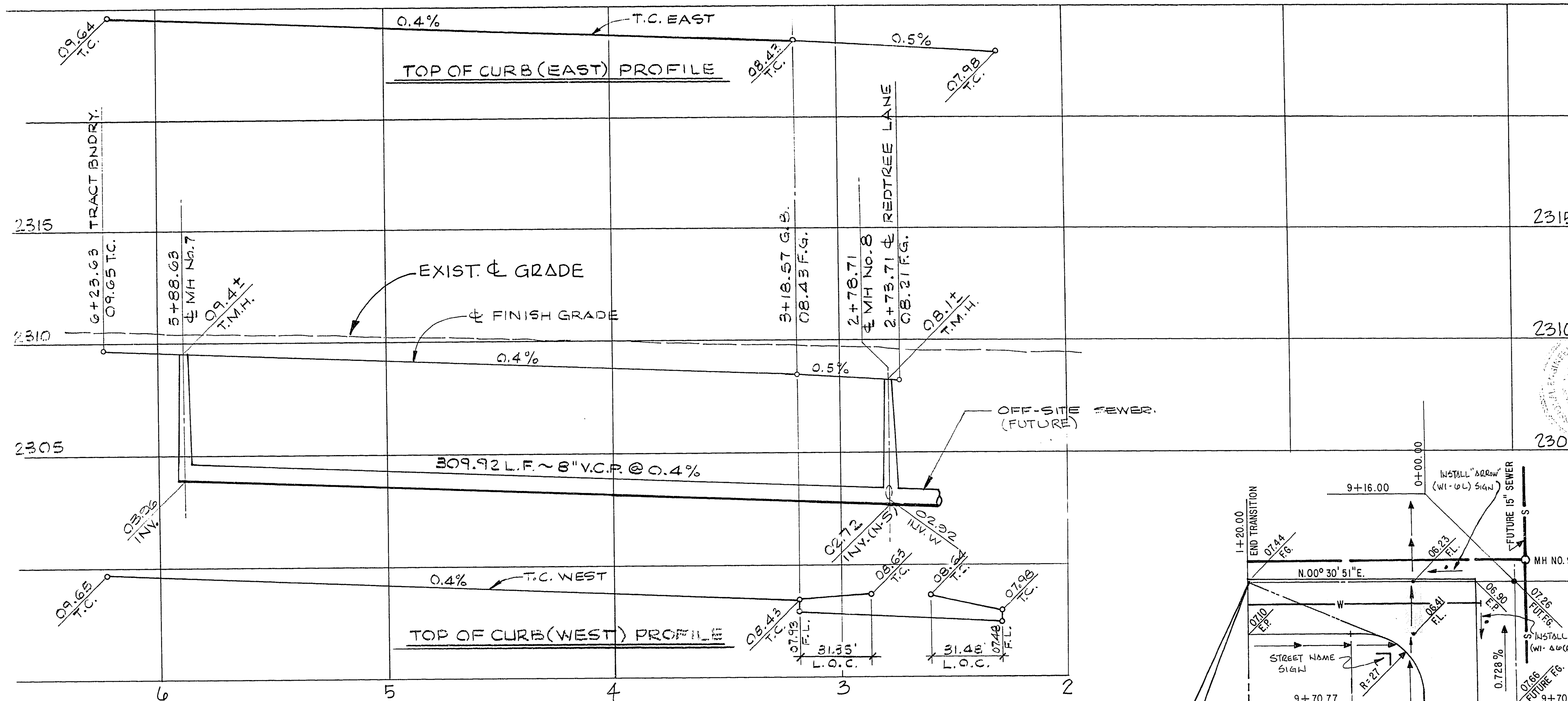


ALEXANDER ROAD

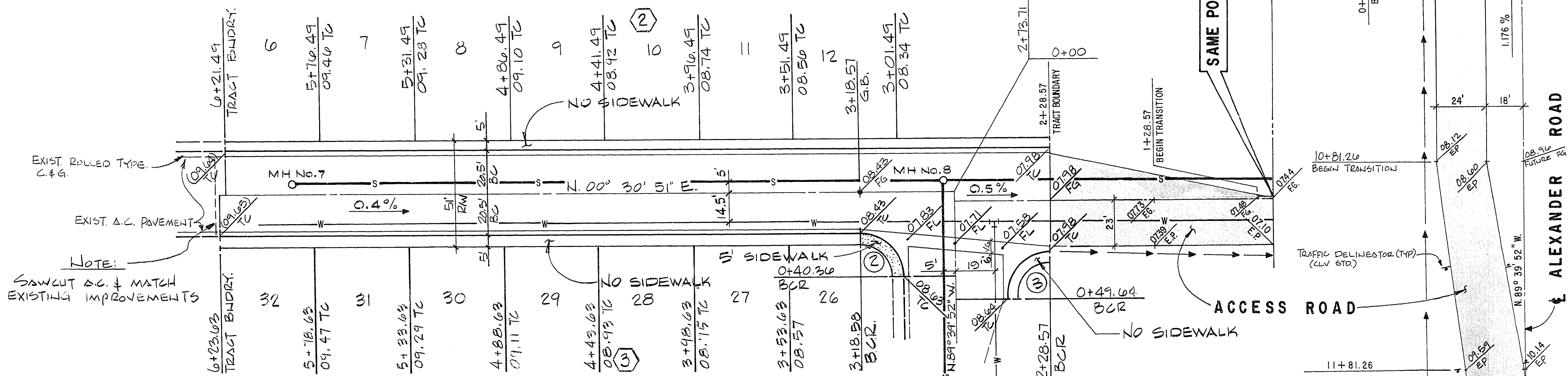


CURVE DATA

NO.	Δ	B.C.R.	L	T
2	89°49'17"	20.00	31.35	19.94
3	20°10'43"	20.00	31.48	20.06



PROFILE
SCALE: HORIZ. 1" = 30'
VERT. 1" = 3'



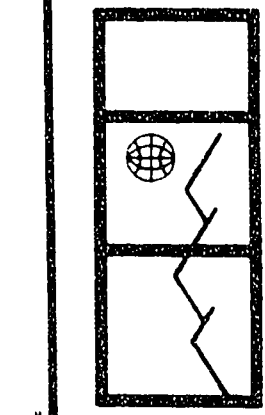
BROADRIVER DRIVE

REDTREE LANE
(SEE SH. 9)

APPROVALS:

<i>[Signature]</i> C.L.V. ENGINEER (Alexander Rd access road element & width not approved)	DATE
<i>[Signature]</i> C.L.V. FIELD OPERATIONS ENGINEER	DATE
<i>[Signature]</i> C.L.V. TRAFFIC ENGINEER	4-16-81 DATE
<i>[Signature]</i> C.L.V. SANITATION SUP'T.	4-8-81 DATE
C.L.V. QUALITY CONTROL ENGR.	DATE

REV	DATE	DESCRIPTION
1	3/11/81	
2	3/11/81	
3	3/11/81	



G. C. WALLACE
Consulting Engineers, Inc.
1100 East Sahara Ave. • Las Vegas, Nevada 89104 • 732-3330

BECKER & SONS
CHARLESTON HEIGHTS TRACT NO. 62-B
BROADRIVER DRIVE

SHEET
8
OF 11 SHEETS

JOB NO. 470.020

