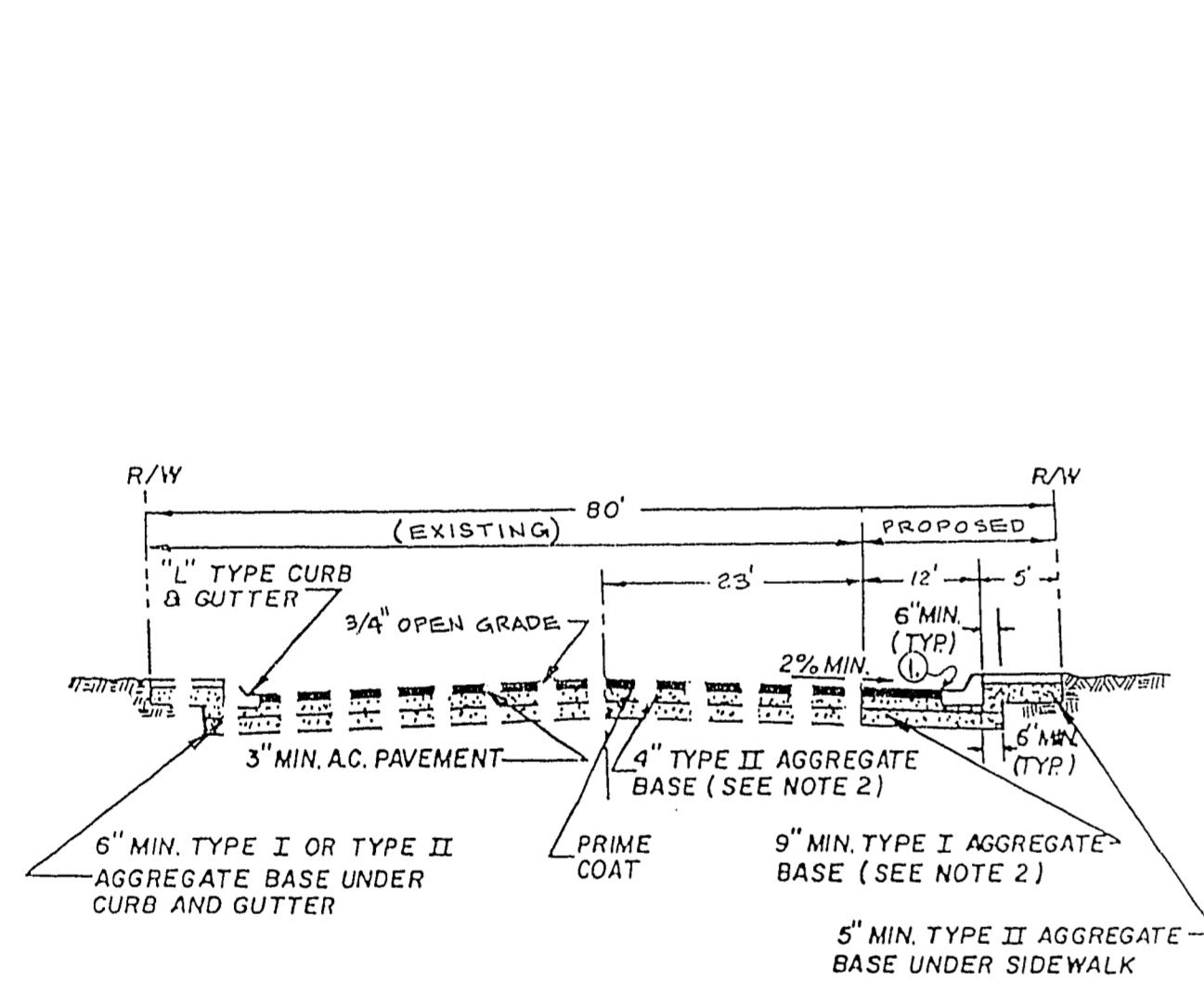
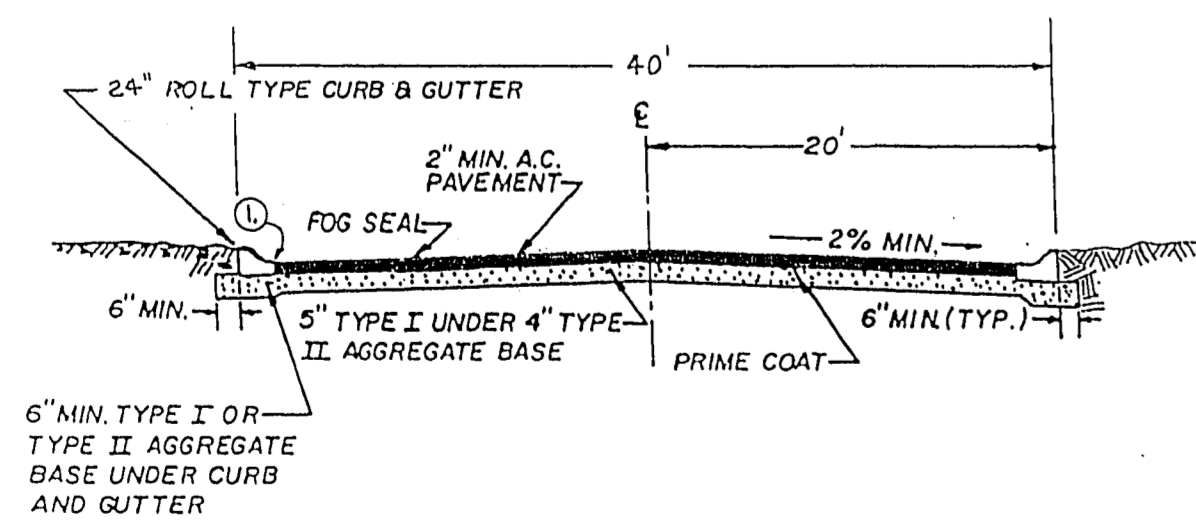


24" ROLL TYPE CURB & GUTTER DETAIL

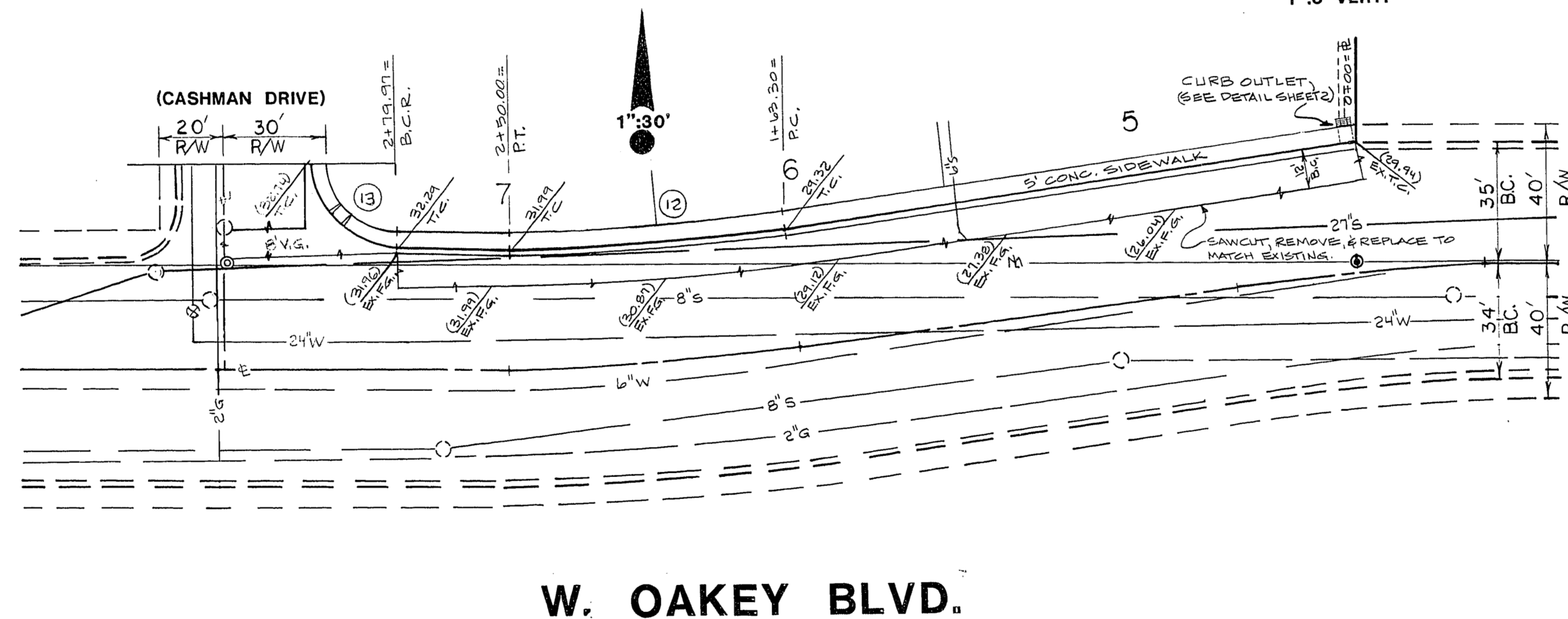


W. Oahey Blvd. SECTION
(LOOKING WEST)

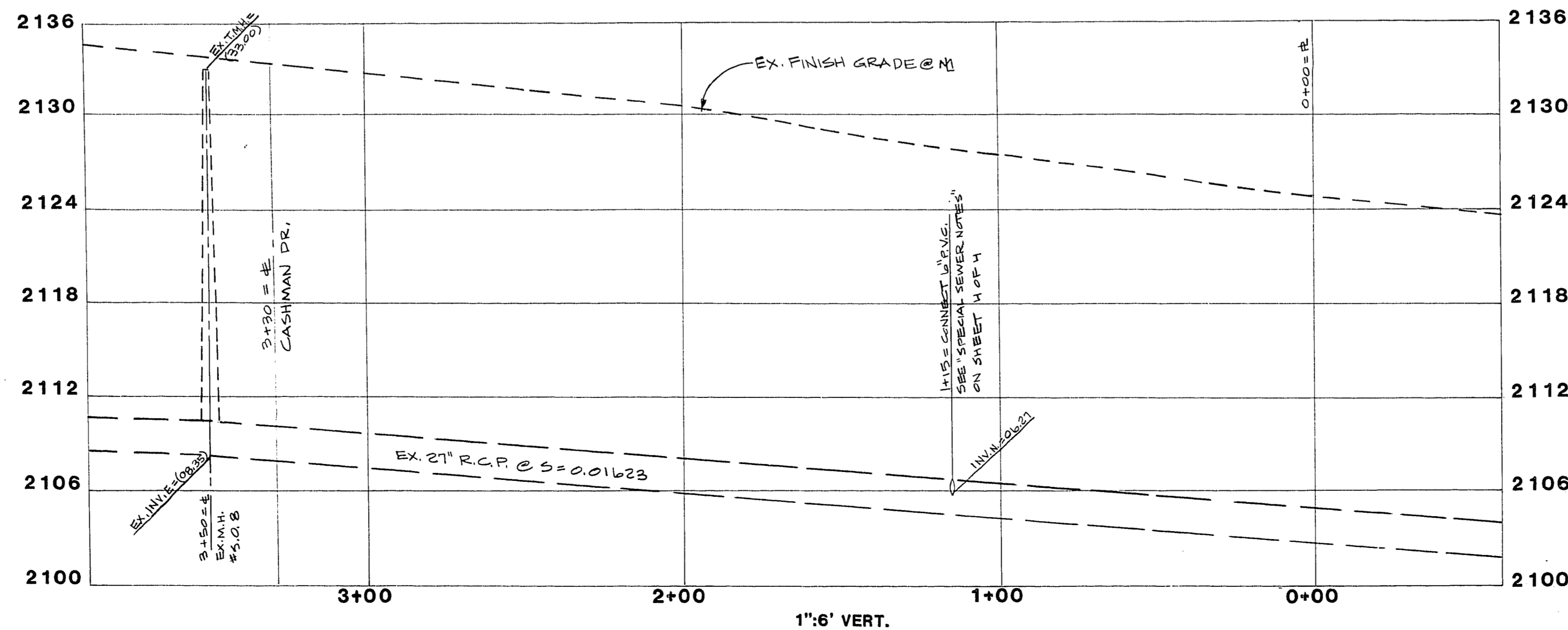


WESTLEIGH AVENUE SECTION
(PRIVATE DRIVE)

① FINAL A.C. PAVEMENT SURFACE (INCLUDING OPEN GRADE IF USED) SHALL BE 1/2" ABOVE LIP OF GUTTER.



W. Oahey Blvd.



BACK OF CURB CURVE DATA

NO.	RADIUS	LENGTH	DELTA	TANGENT
①	40.50'	196.26'	277° 38' 58"	53.33'
②	19.50'	16.62'	48° 49' 29"	8.85'
③	635.78'	86.45'	07° 47' 28"	43.29'
④	25.00'	39.29'	90° 03' 13"	25.02'
⑤	25.00'	37.01'	84° 49' 21"	22.84'
⑥	25.00'	41.53'	95° 10' 39"	27.37'

NOTE: CURVE NUMBERS CORRESPOND WITH FINAL MAP.

BENCH MARK

C.I.V.B.M. 1615B22 BOLT & PLATE IN N.W. CORNER OF WESTLEIGH AVENUE & CASHMAN DRIVE
ELEVATION: 2132.167

DEVELOPER

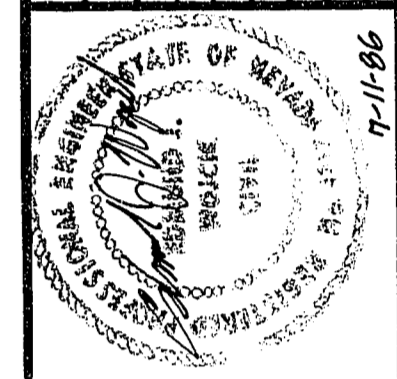
CAROL PAPPAS, ET. AL.
1224 CASHMAN DRIVE
LAS VEGAS, NEVADA 89102
TELE: (702) 878-4525

APPROVAL

Edmund J. Wojcik 8-29-86
CLV CHIEF, LAND DEVELOPMENT & FLOOD CONTROL DATE

REVISIONS

NO.	DATE	DESCRIPTION	APPROVED



E. J. WOJCIK ENGINEERING
CIVIL ENGINEERING CONSULTANT
3649 S. LAS VEGAS BLVD. #7
LAS VEGAS, NEVADA 89102
Edmund J. Wojcik, P.E.
(702) 389-8707

**CASHMAN COURT SUBDIVISION
(PLAN AND PROFILE)**

(v) SCALE: 1"=6'
(h) SCALE: 1"=30'
J.N.: 850401
DRAWN BY: TMC
CHECKED BY: EJW

SHEET NO.:
3 OF 4