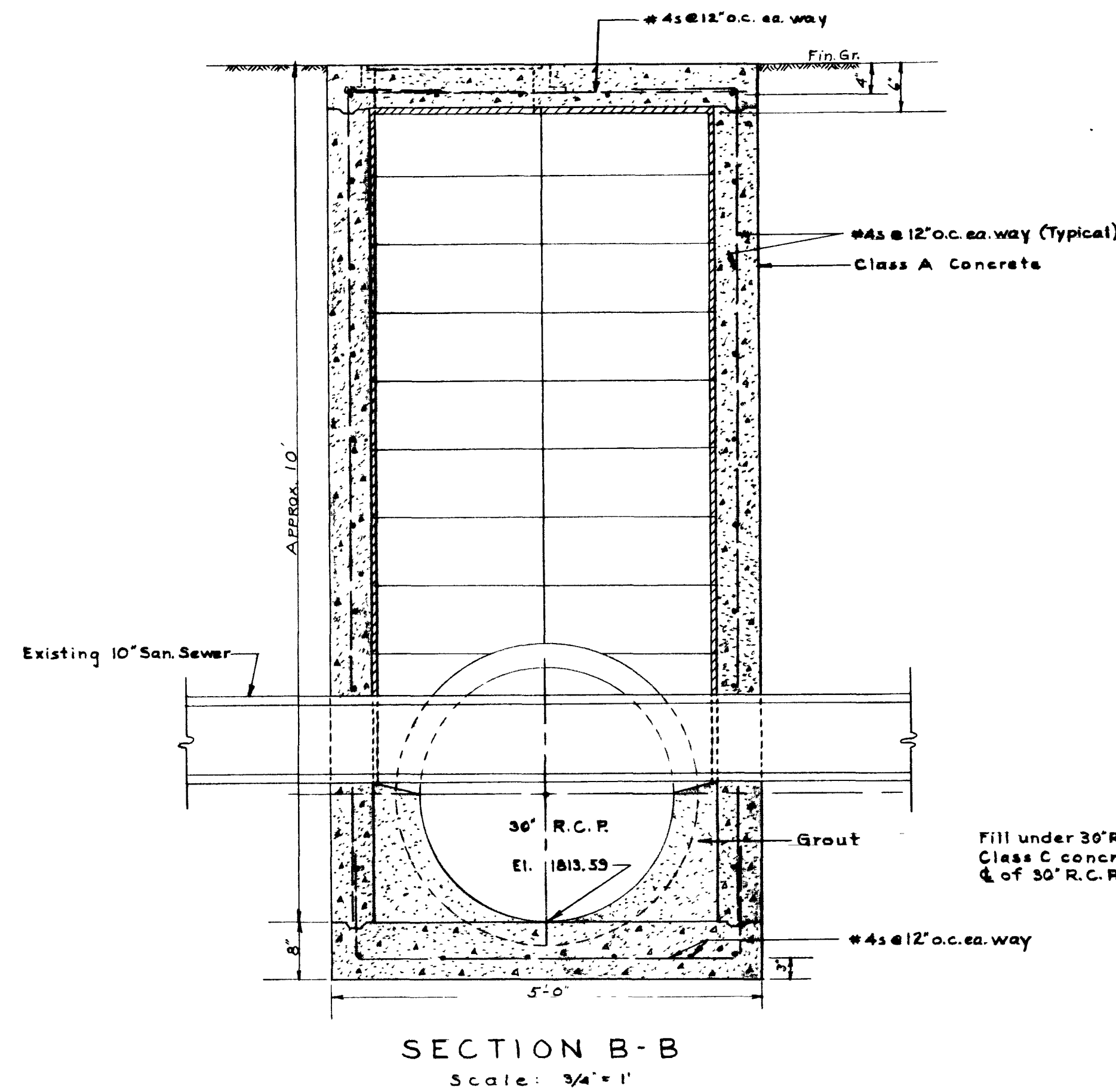
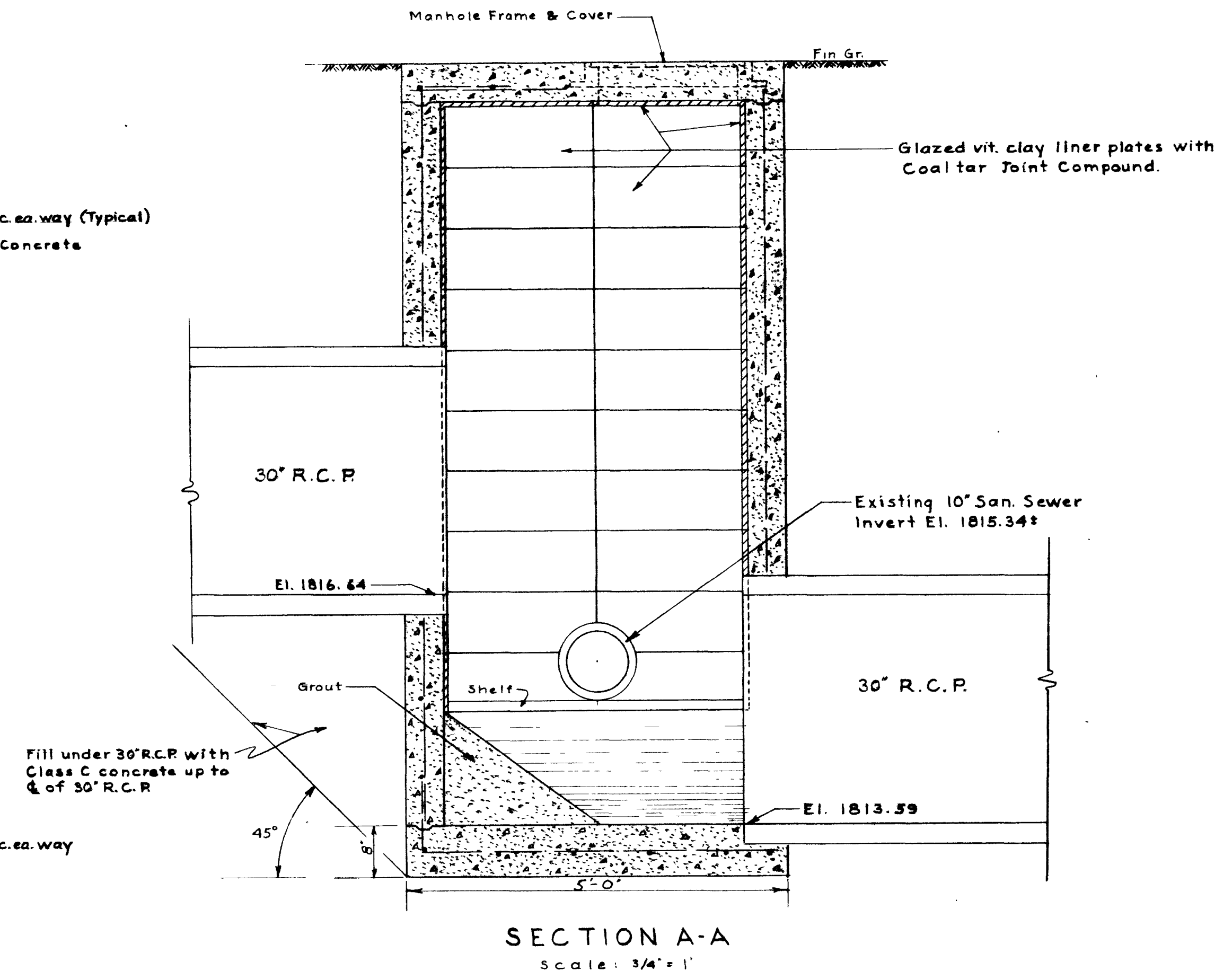


END VIEW
BACK VIEW
CLAY LINER PLATE DETAILS
Scale: 1/2" = 1'

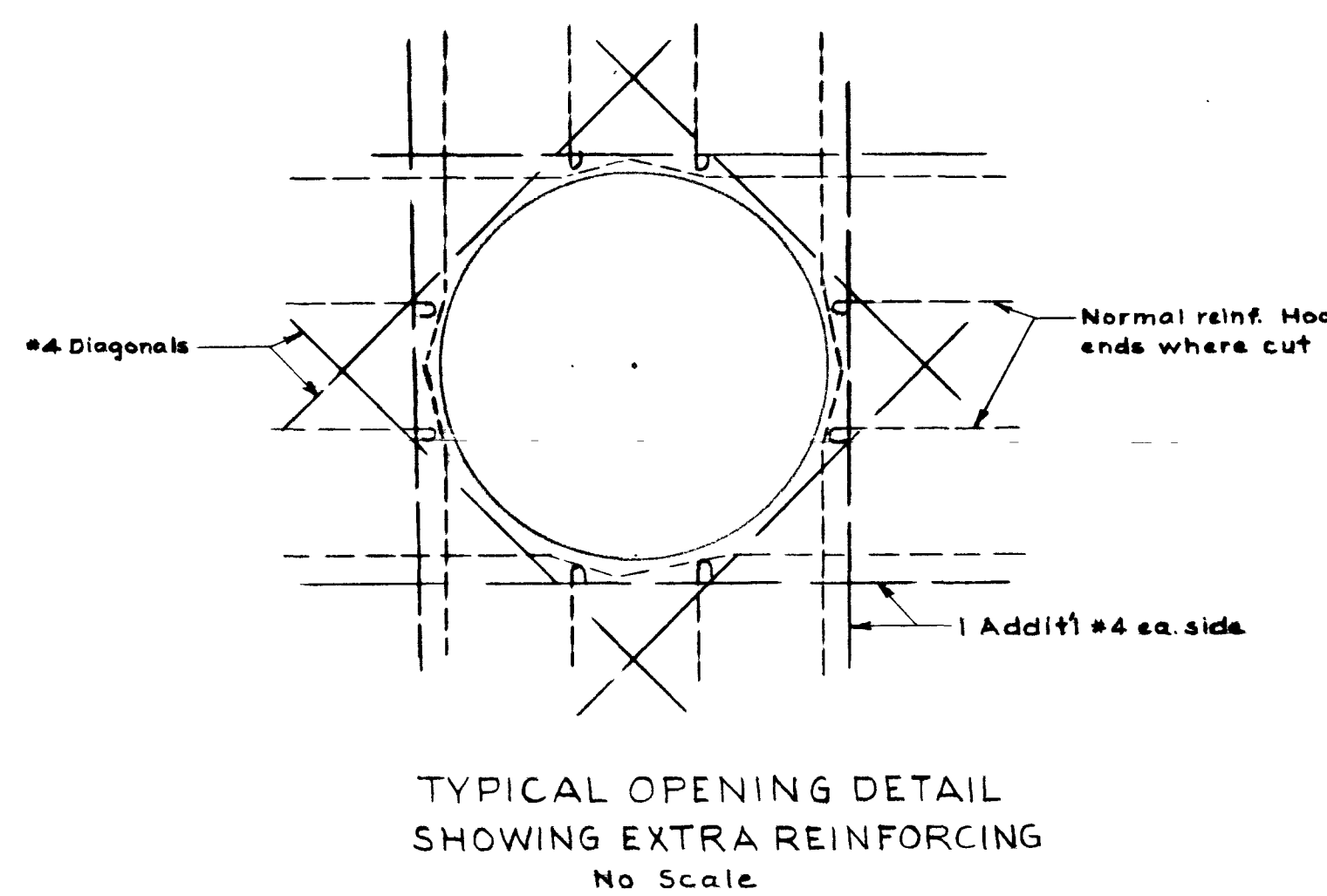
Note: Dimensions may vary slightly depending on Mfr. Contractor may submit alternate Mfr's Drawings for approval.



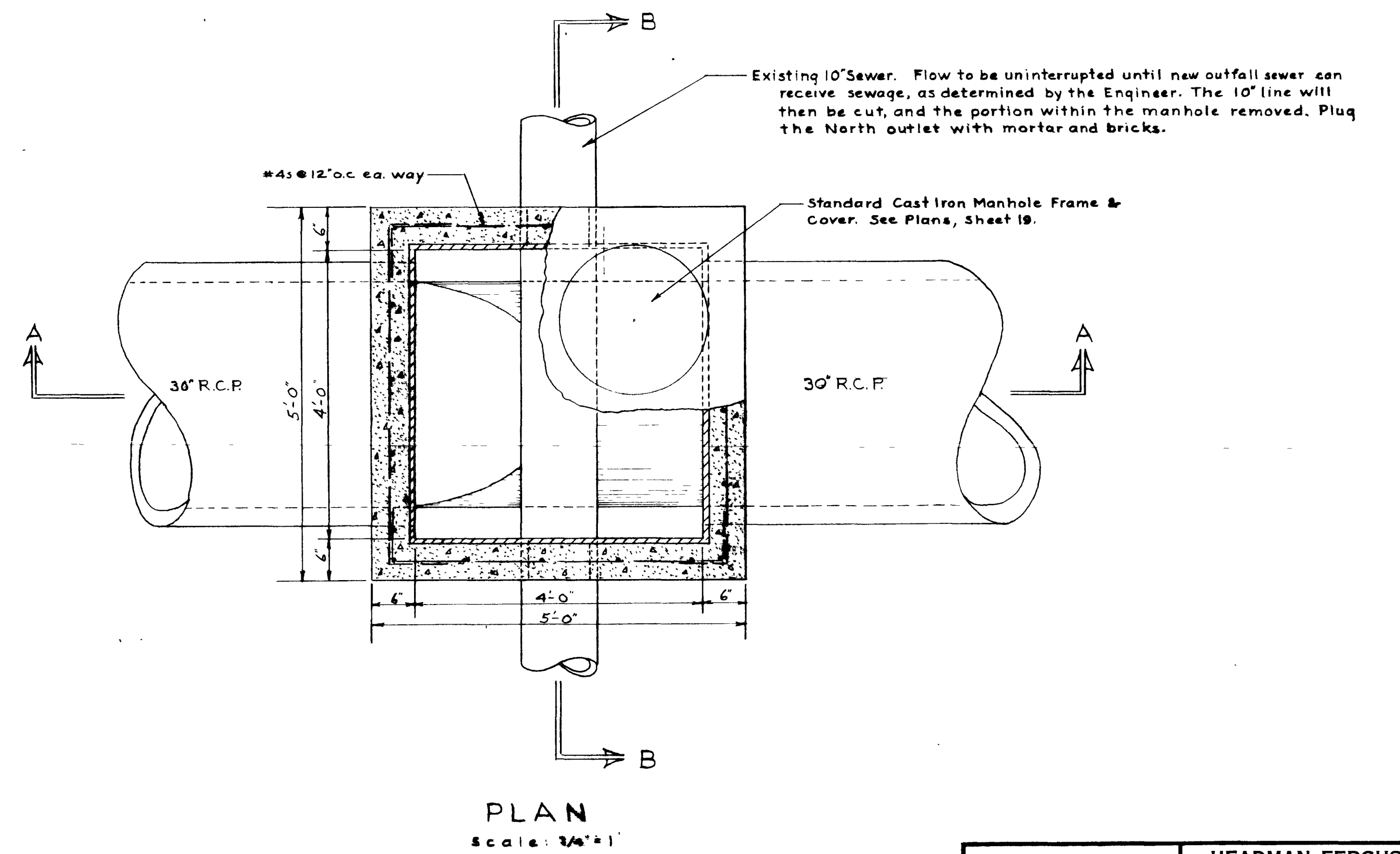
SECTION B-B
Scale: 3/4" = 1'



SECTION A-A
Scale: 3/4" = 1'



TYPICAL OPENING DETAIL
SHOWING EXTRA REINFORCING
No Scale



PLAN
Scale: 3/4" = 1'

HEADMAN, FERGUSON & CAROLLO			
PHOENIX, ARIZONA			
LAS VEGAS, NEVADA			
OUTFALL SEWER			
ALTERNATE MANHOLE CONSTRUCTION			
SCHEDULE 'B' STA. 31+60			
Designed RGW	Checked JAC	Apr 1954	Sheet 23
Drawn RGW	Revised R&W		Total 23

3710-B-1056

