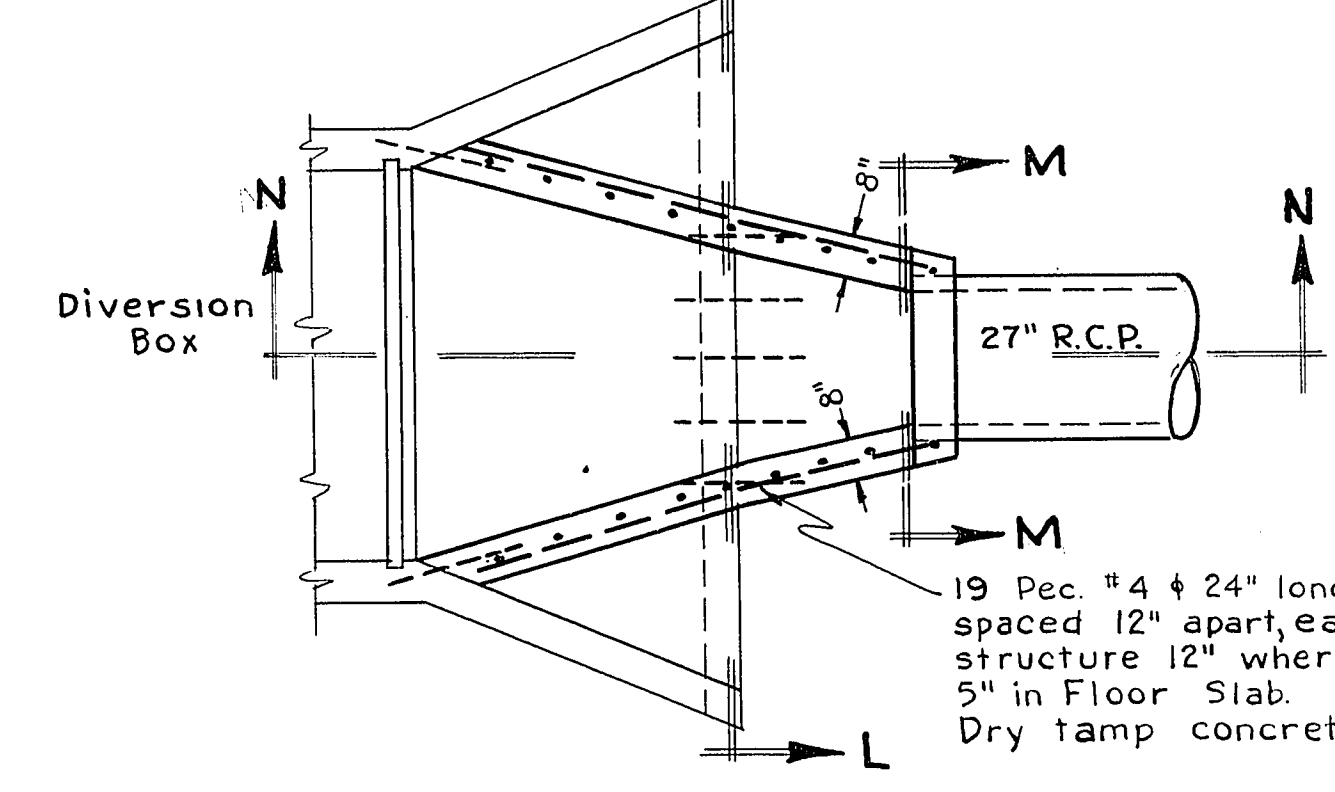
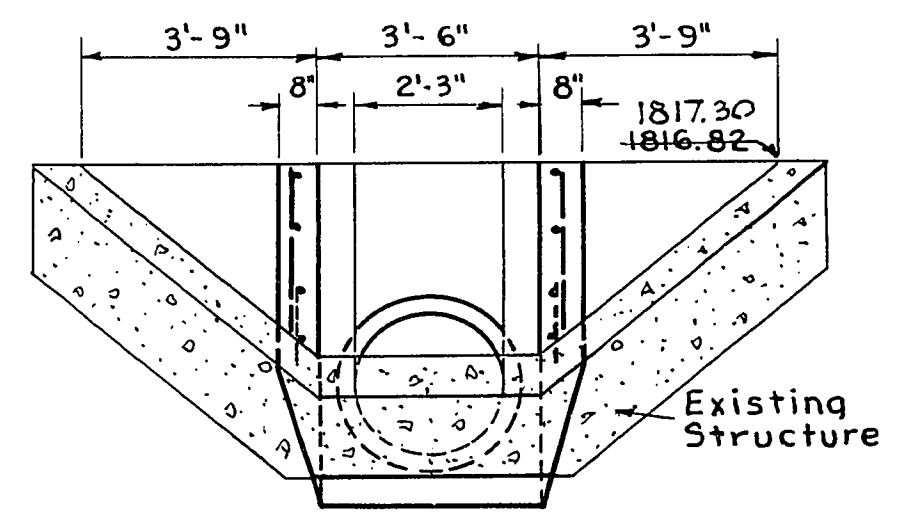
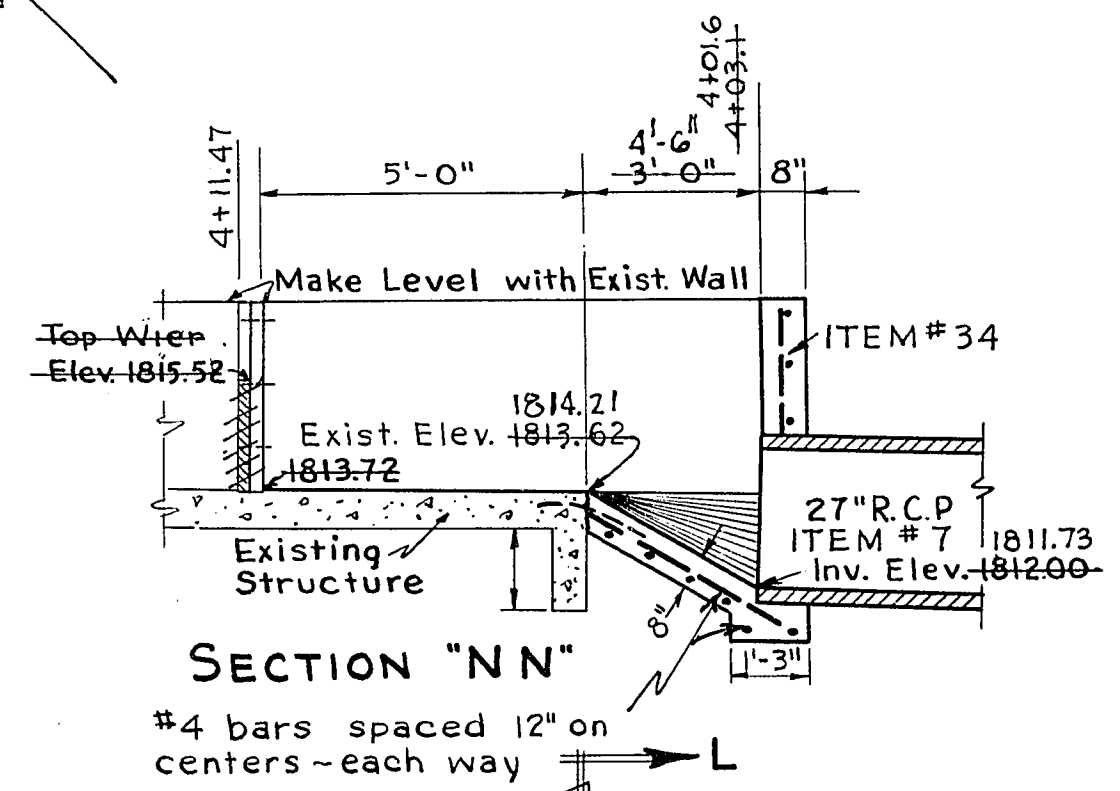


Note: After concrete box has been constructed and concrete has set for 26 days, by pass flow in 24" line at low period of flow, remove 8" gate valve and 8" pipe, cut 24" round hole in concrete encasement and vit. pipe ITEM # 34

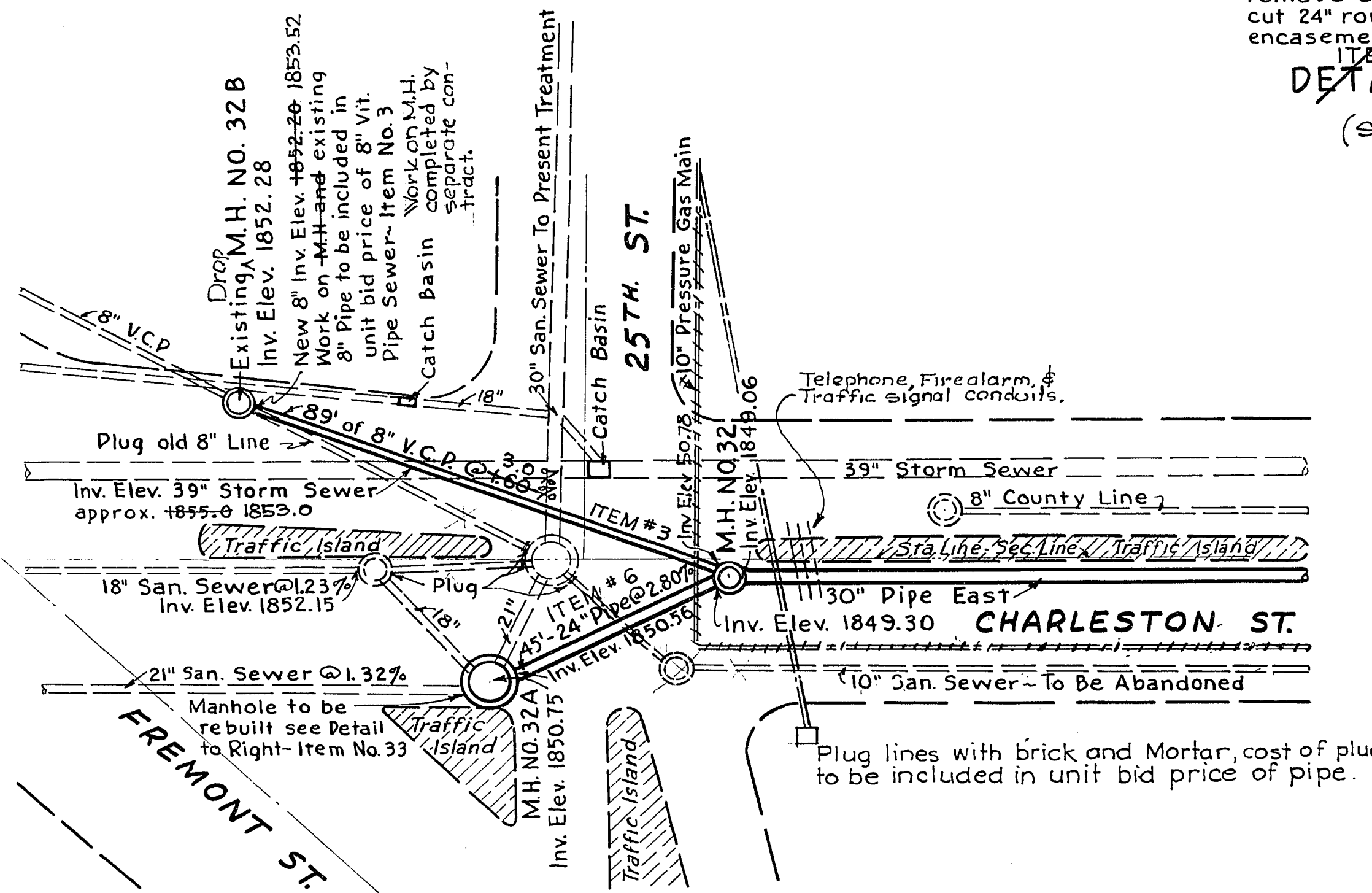
Check location of 8" by pass line before starting excavation for Concrete Junction Manhole

SECTION "JJ"

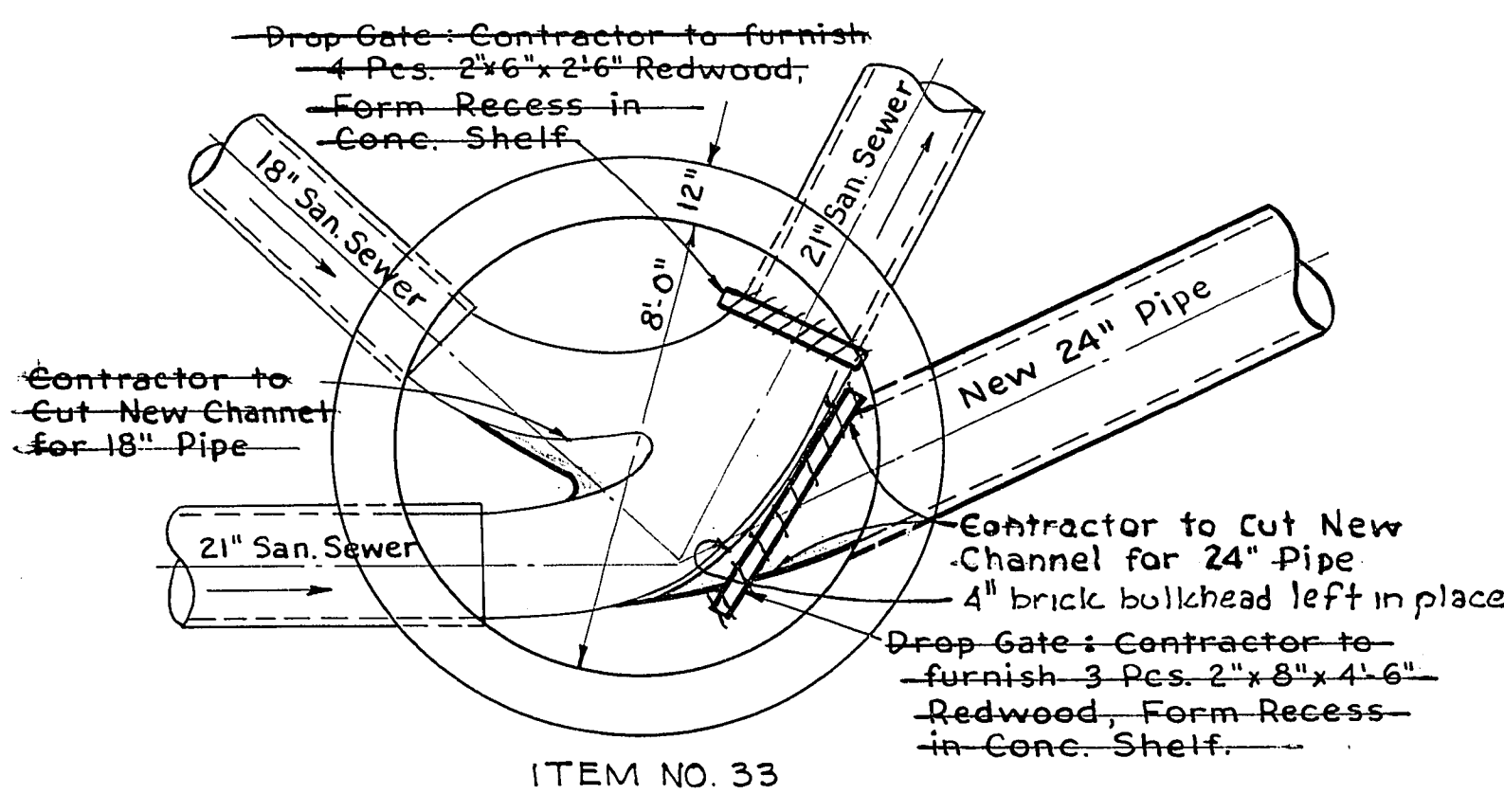
DETAIL OF JUNCTION MANHOLE AT STA. 0+00
(See Plan "B", Supplemental Sheet dated Jan '57.)



DETAIL OF INLET STRUCTURE



DETAIL AT MANHOLE No. 32-A



DETAIL OF EXISTING MANHOLE No. 32A To BE REBUILT

As built

No Scale

HEADMAN, FERGUSON & CAROLLO PHOENIX, ARIZONA			
LAS VEGAS NEVADA			
OUTFALL SEWER DETAILS			
DESIGNED G.C.W.	CHECKED G.C.W.	DATE Jan. 1956	SHEET NO. 22
		REVISION MAY 1958	TOTAL SHEETS 22
			3675-B-1056

14-1-54 307-V242