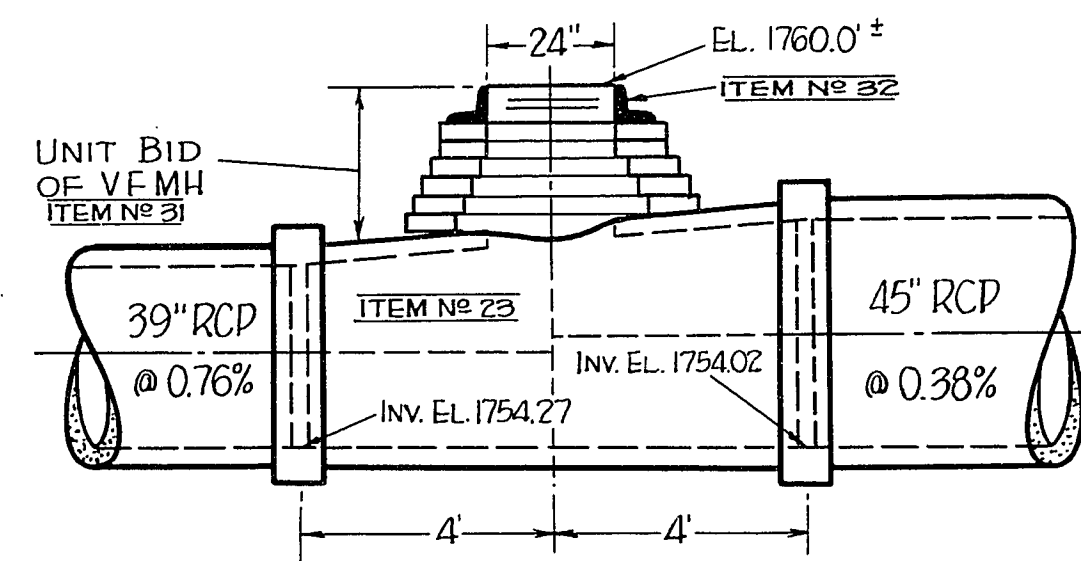
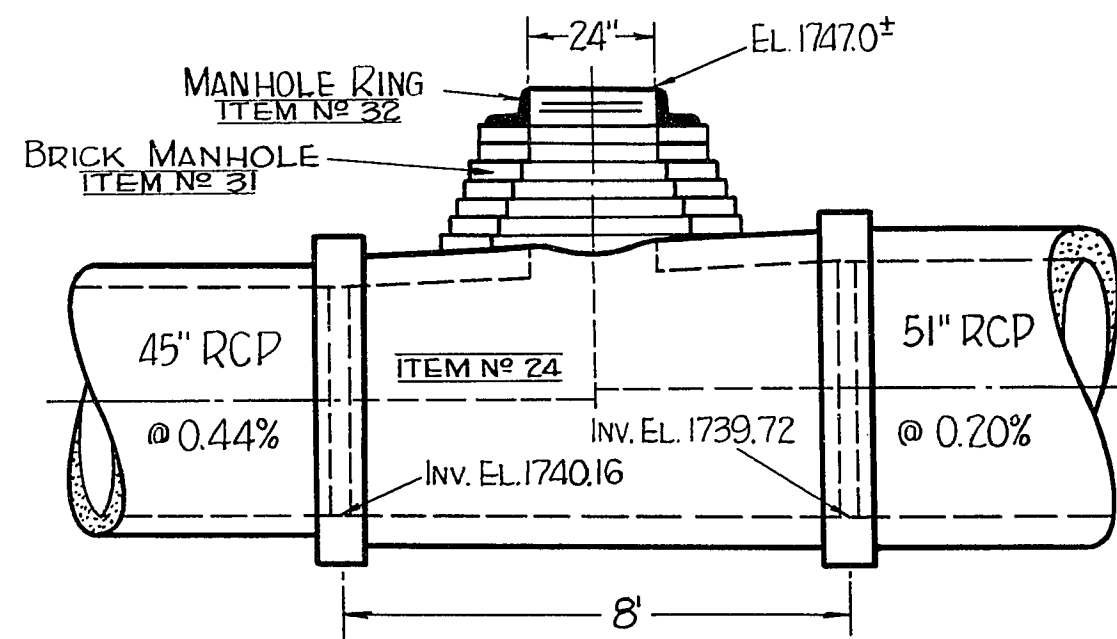


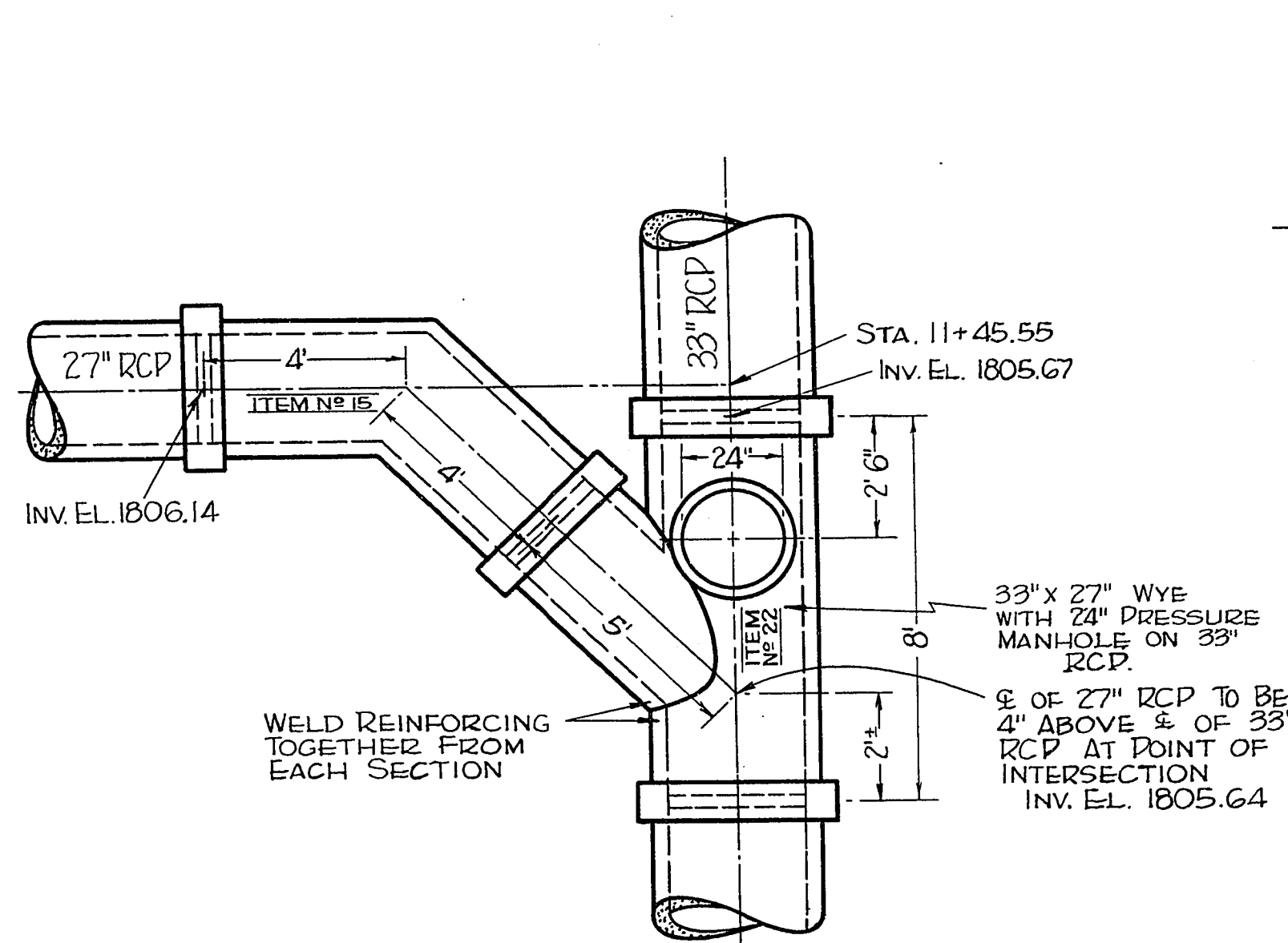
DETAIL AT STA. 320+00
MANHOLE NO. 20, SH. NO. 13



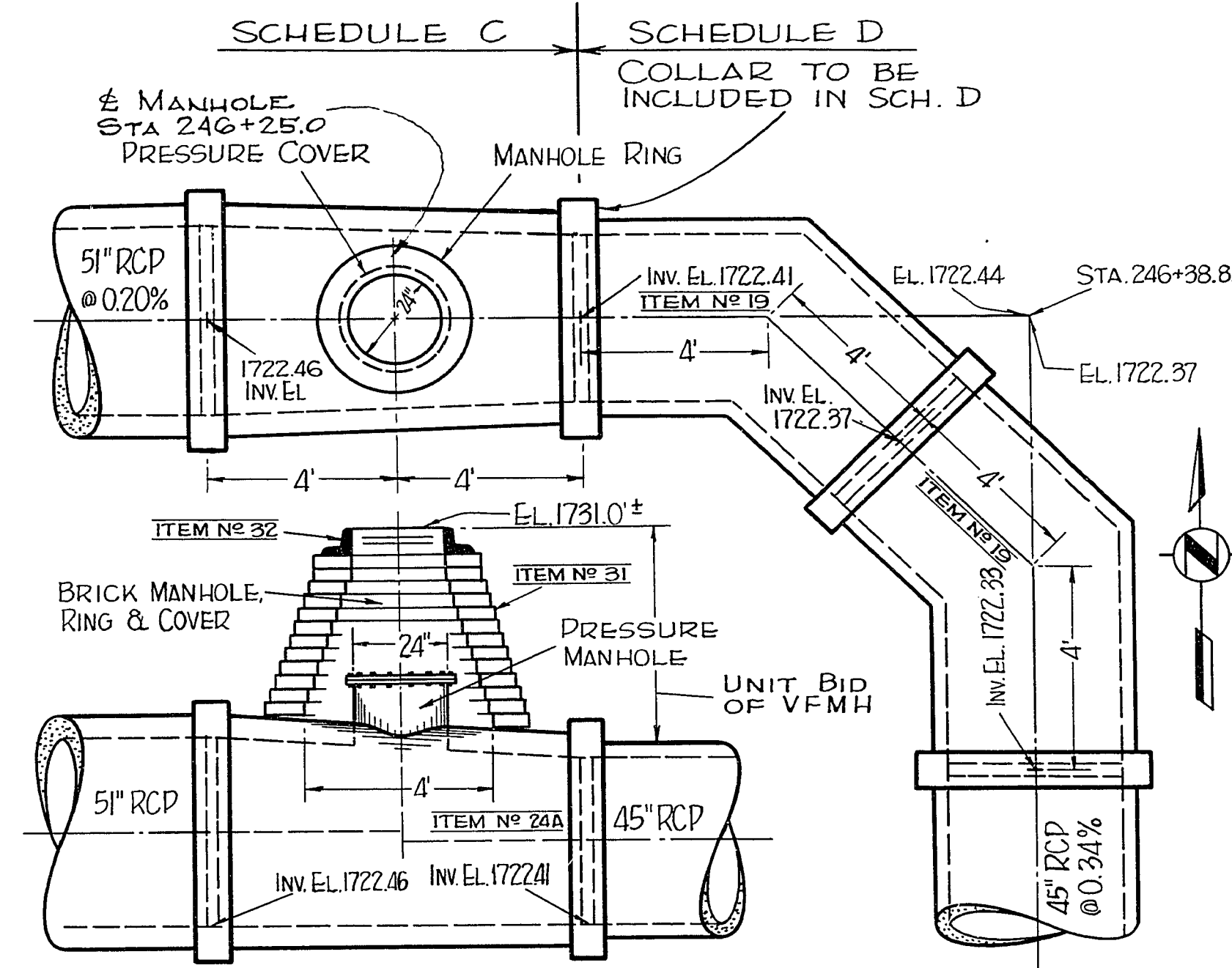
DETAIL AT STA. 127+00
MANHOLE NO. 10, SH. NO. 7



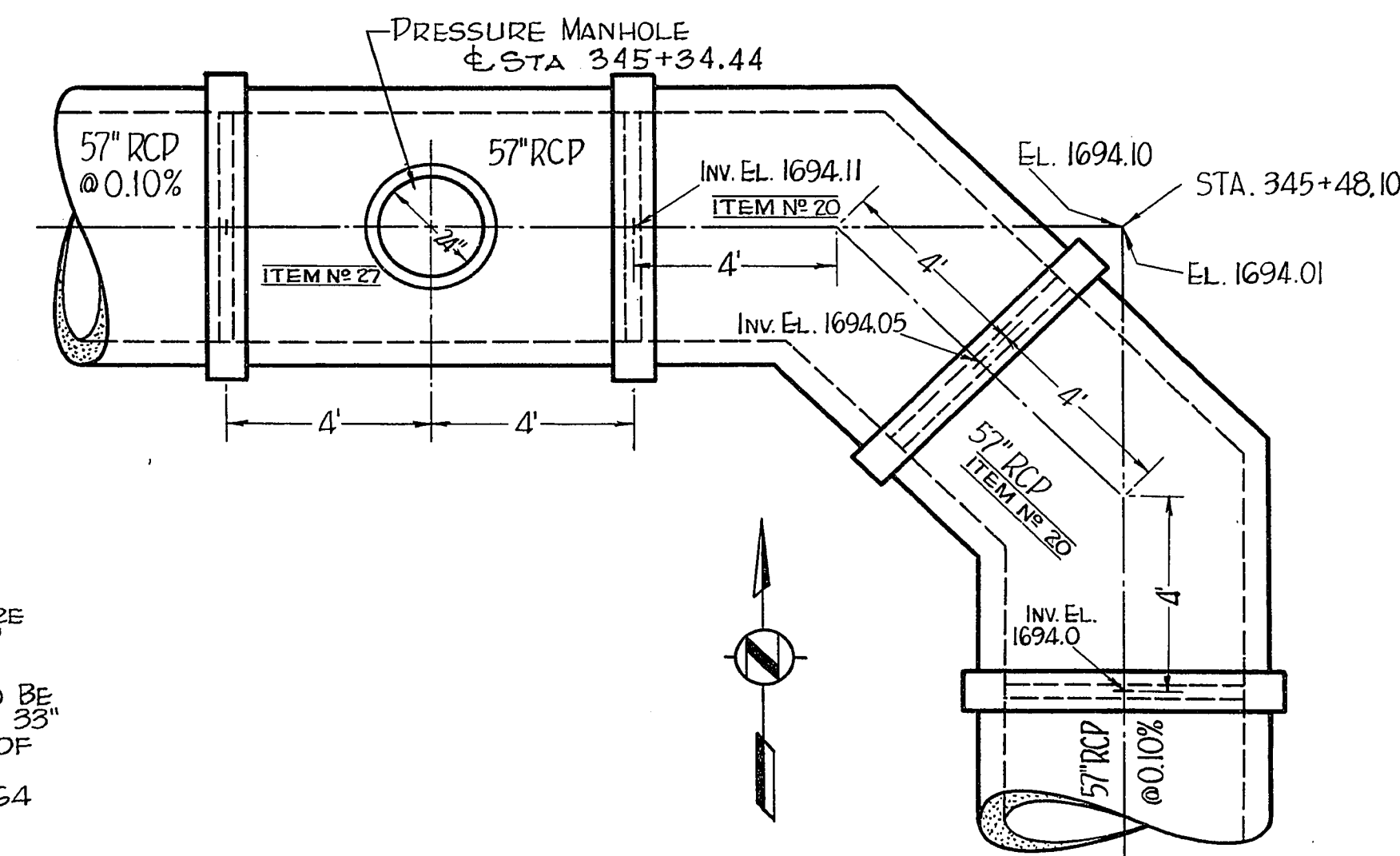
DETAIL AT STA. 160+00
MANHOLE NO. 13, SH. NO. 8



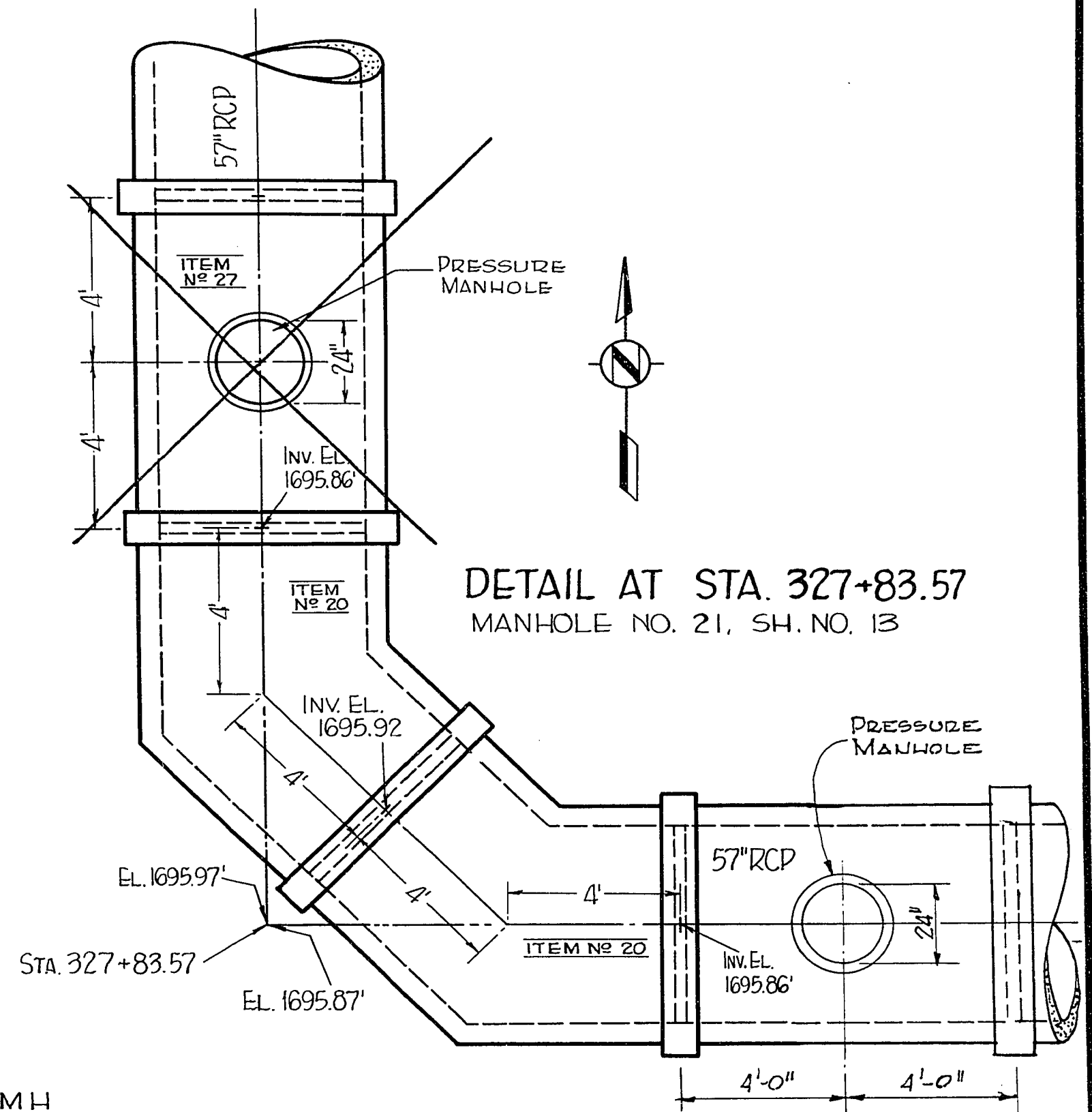
DETAIL AT STA. 11+45.55
MANHOLE NO. 4, SH. NO. 3



DETAIL AT STA. 246+38.83
MANHOLE NO. 17, SH. NO. 11

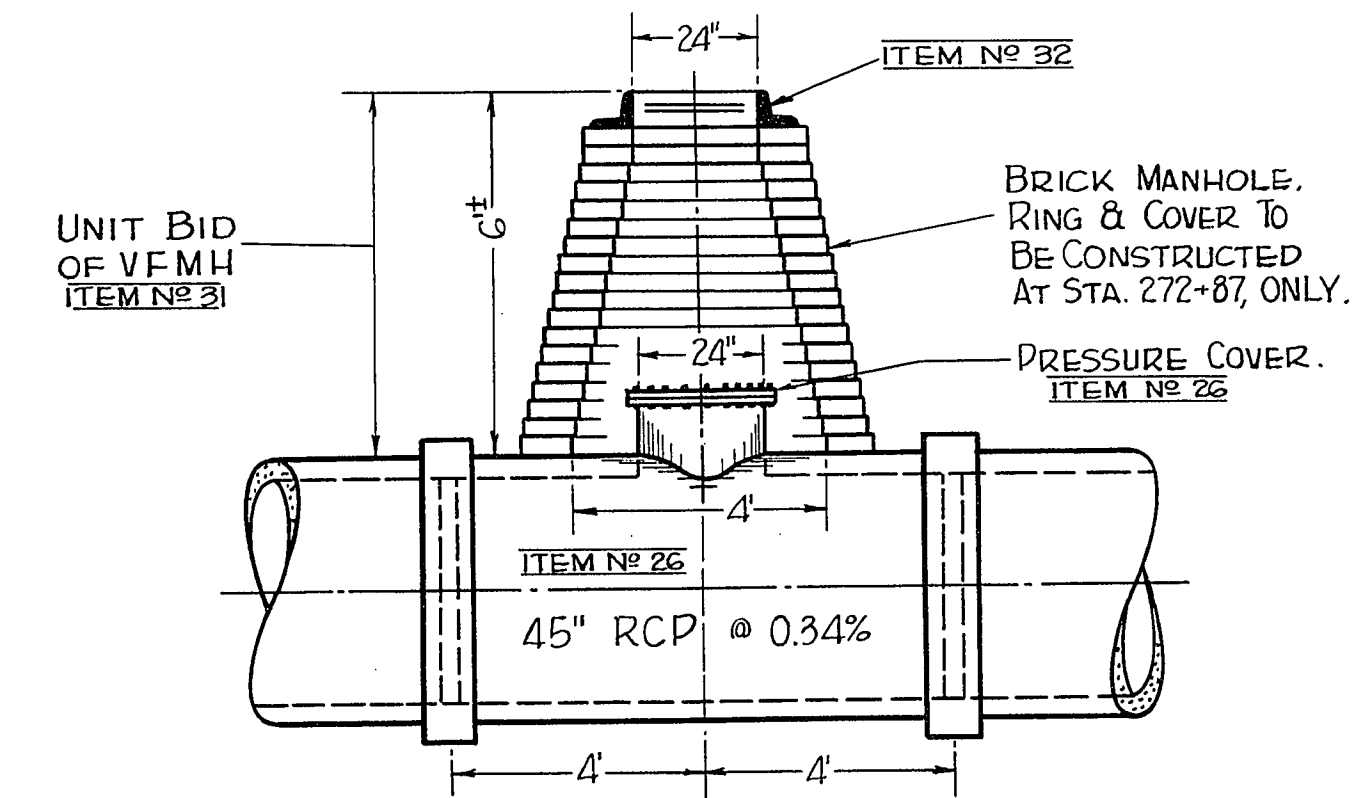


DETAIL AT STA. 345+48.10
MANHOLE NO. 22, SH. NO. 14



DETAIL AT STA. 327+83.57
MANHOLE NO. 21, SH. NO. 13

GENERAL NOTE
WHERE PRESSURE MH
OR OPENING ARE CUT IN
PIPE, PIPE TO BE DESIGNED
FOR A "D" LOAD OF 2000 LBS.



DETAIL AT STA. 300+67.13
MANHOLE NO. 19, SH. NO. 13
& STA. 272+87
MANHOLE NO. 18, SH. NO. 12

As Built

HEADMAN, FERGUSON & CAROLLO PHOENIX, ARIZONA			
LAS VEGAS NEVADA			
OUTFALL SEWER MANHOLE DETAILS			
DESIGNED S.C.W.	CHECKED G.C.W.	DATE Jan 1956	SHEET NO. 21
TOTAL SHEETS 22		REVISED MAY 1956	3676-B-1056

NO SCALE

307-1242