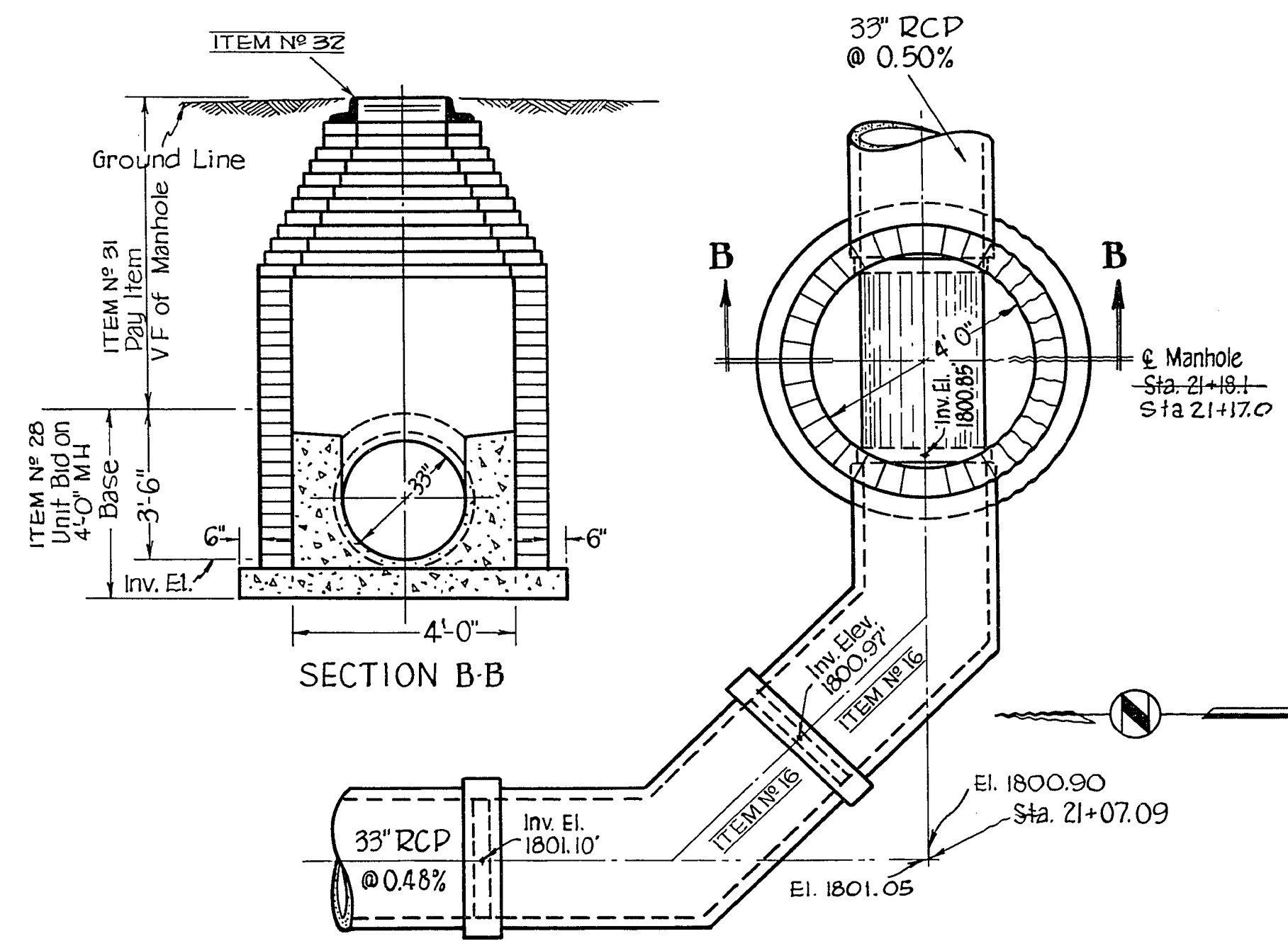
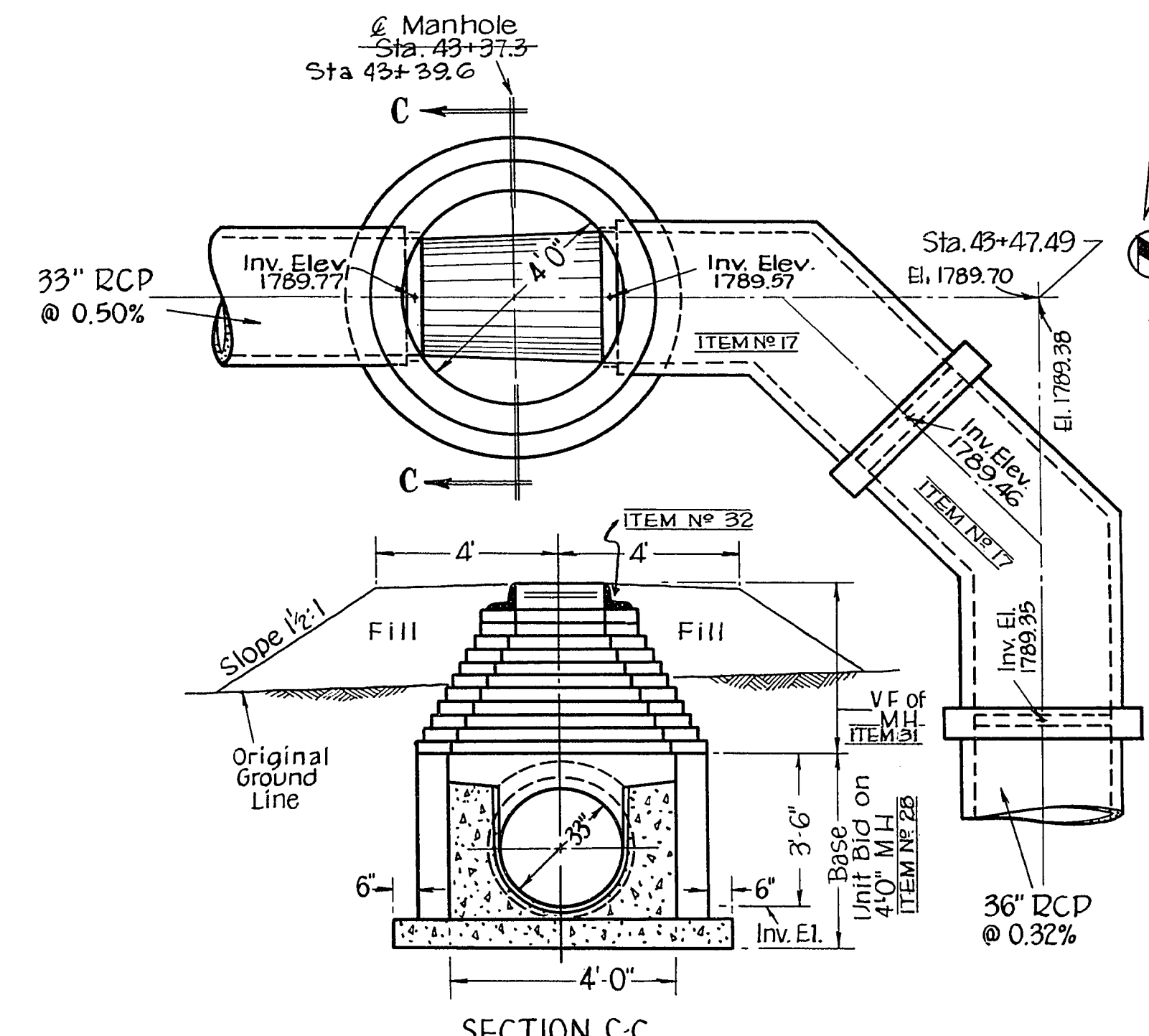


MANHOLE NO. 3
 DETAIL AT STA. 6+90.07
 SEE SHEET NO. 3

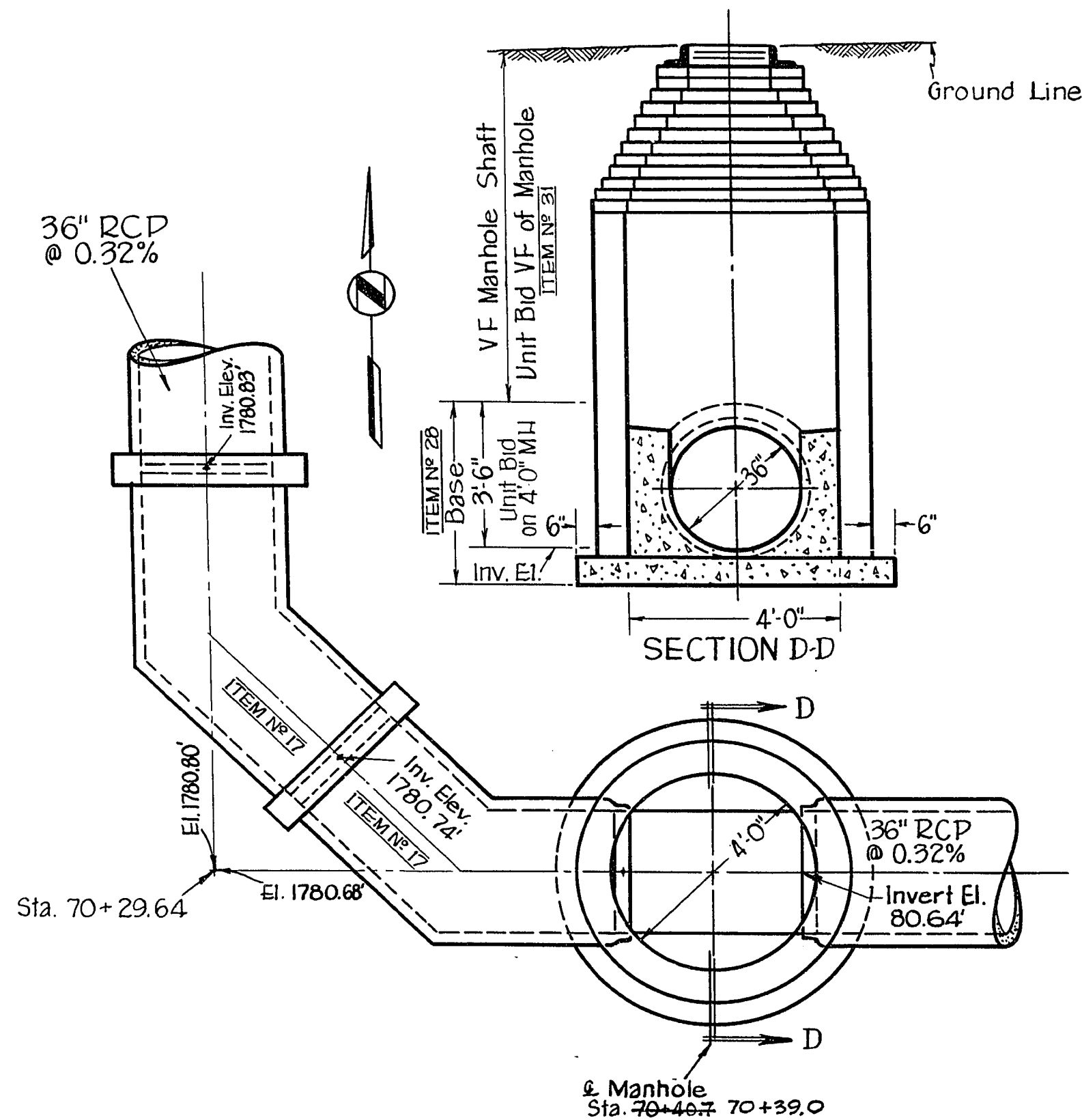


MANHOLE NO. 5
 DETAIL AT STA. 21+07.09
 SEE SHEET NO. 3

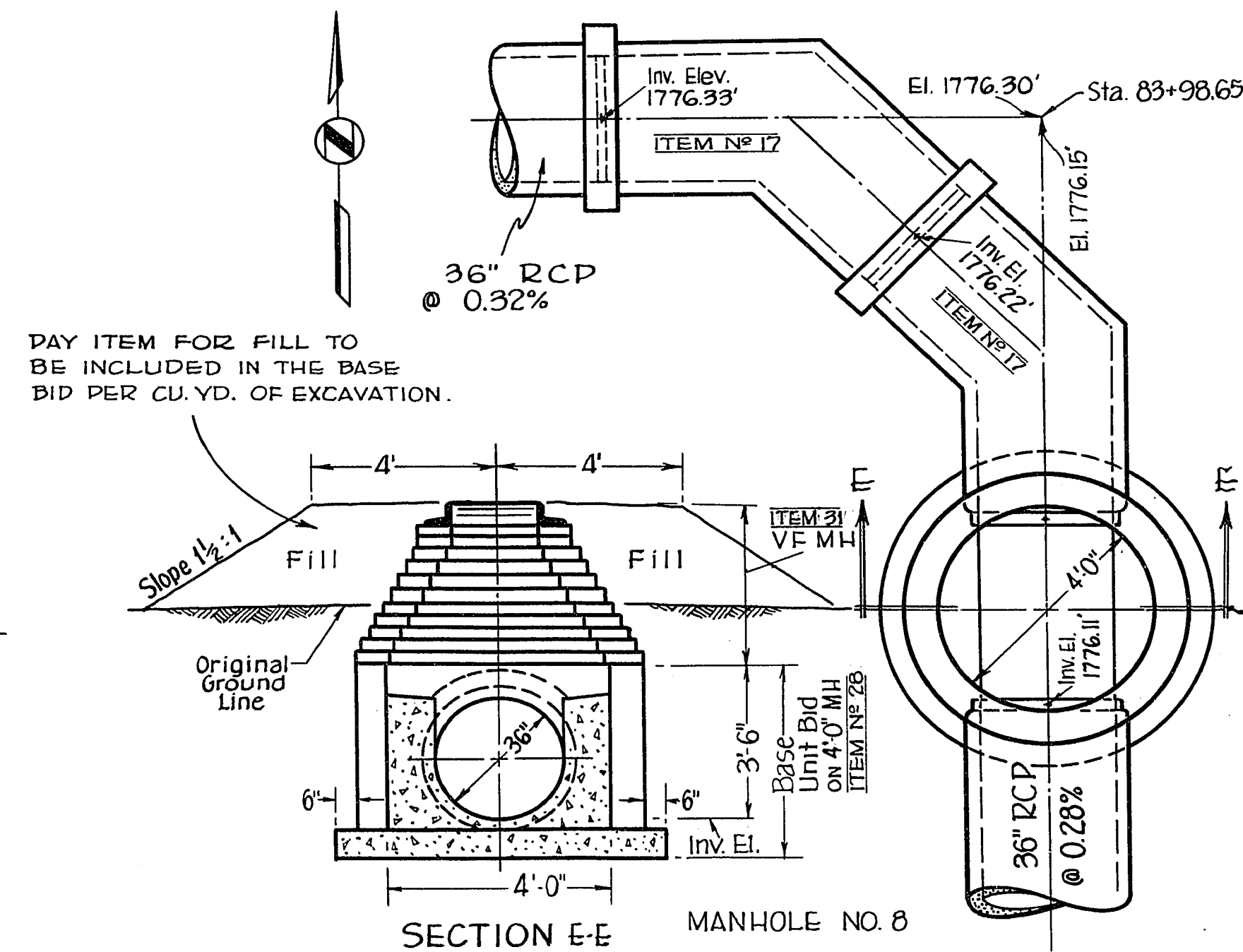


MANHOLE NO. 6
 DETAIL AT STA. 43+47.49
 SEE SHEET NO. 4.

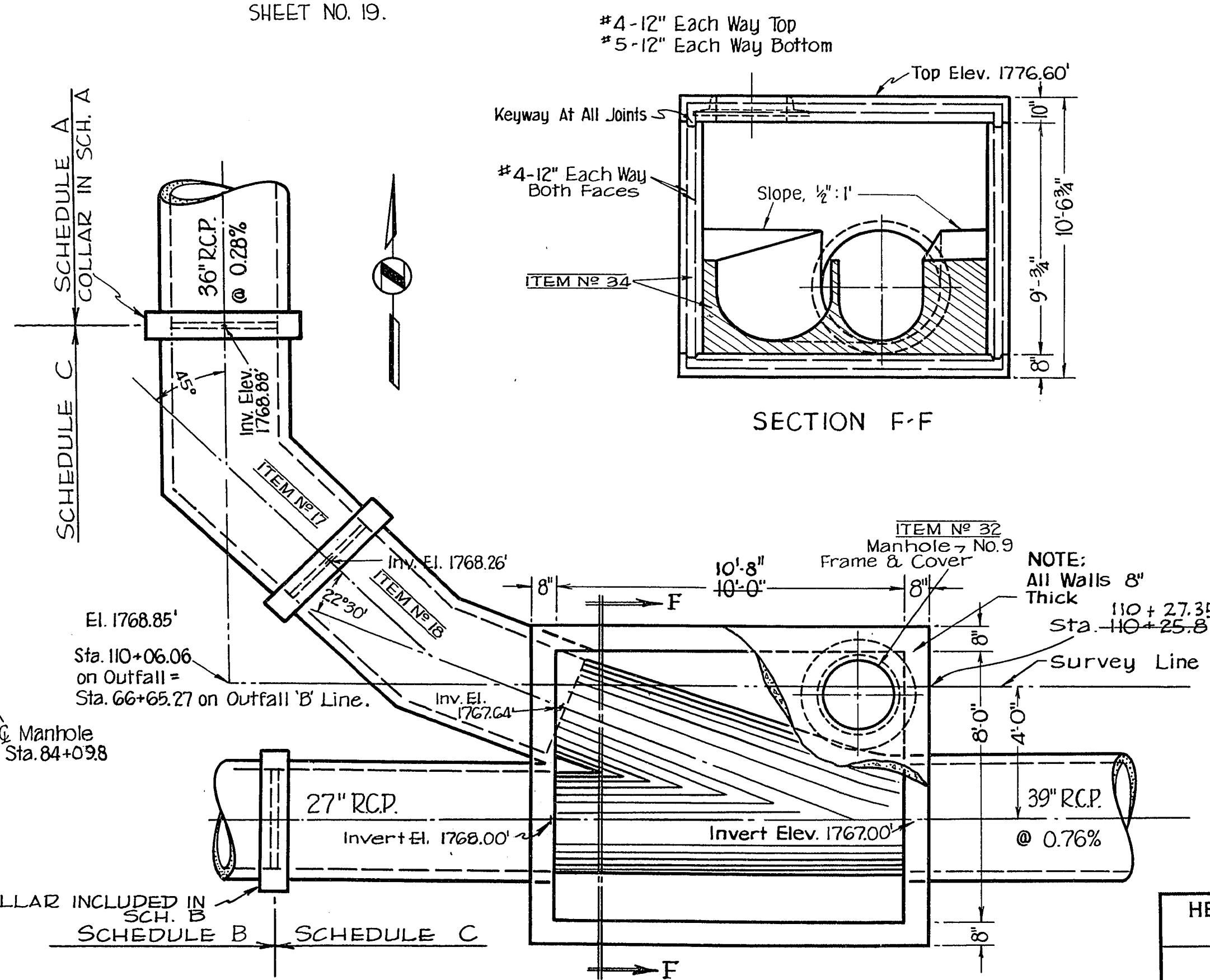
NOTE:
 ALL STRUCTURE
 FOOTINGS TO BE
 8" THICK.
 FOR MANHOLE BASE
 AND SHAFT UNITS, SEE
 ADDITIONAL DETAILS ON
 SHEET NO. 19.



MANHOLE NO. 7
 DETAIL AT STA. 70+29.64
 SEE SHEET NO. 5

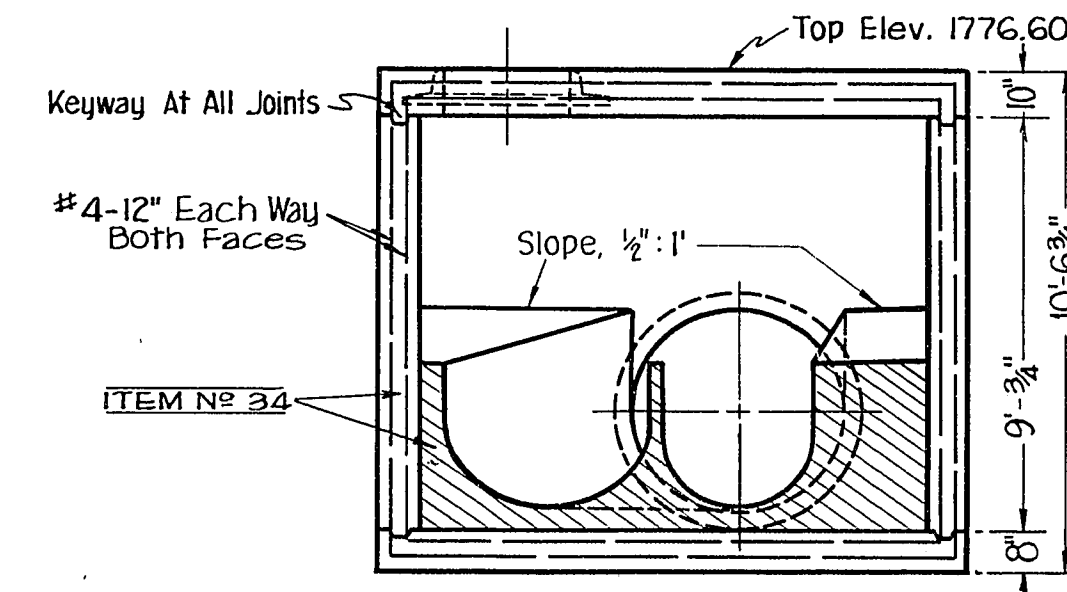


MANHOLE NO. 8
 DETAIL AT STA. 83+98.65
 SEE SHEET NO. 5.



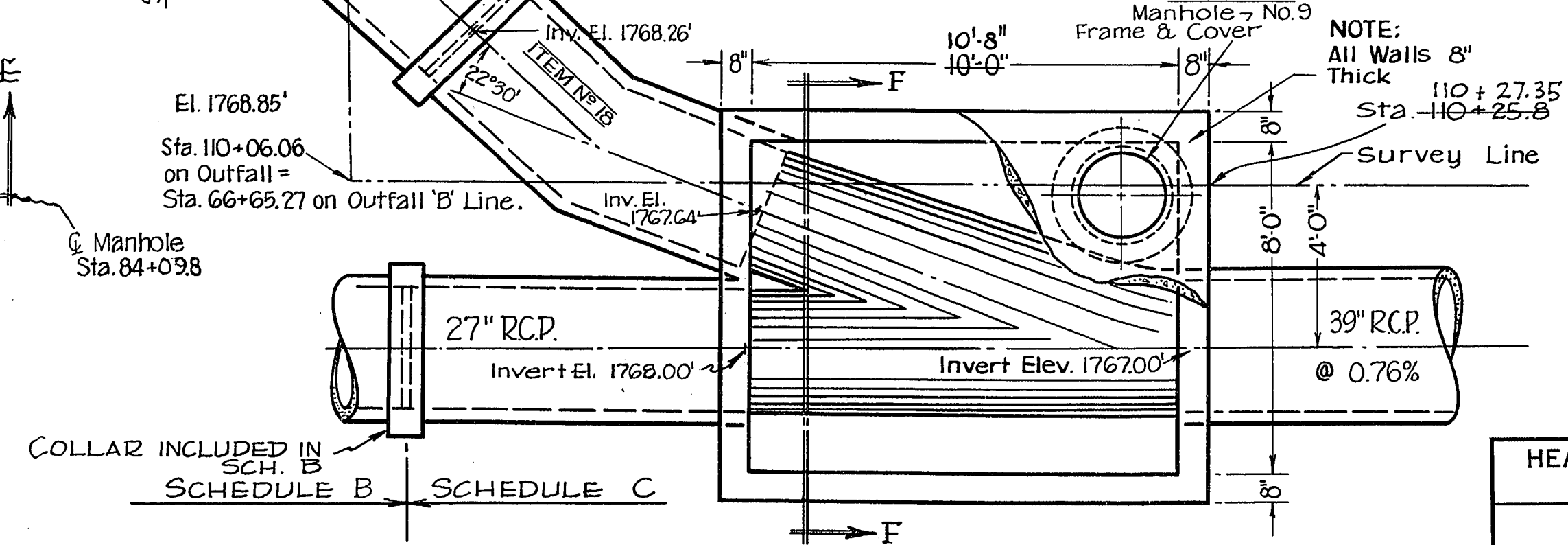
MANHOLE NO. 9
 DETAIL AT STA. 110+06.06
 SEE SHEETS NO. 6 & NO. 18

#4-12" Each Way Top
 #5-12" Each Way Bottom



SECTION F-F

PAY ITEM FOR FILL TO
 BE INCLUDED IN THE BASE
 BID PER CU. YD. OF EXCAVATION.



NOTE:
 All Walls 8"
 Thick
 110+27.35
 Sta. 110+25.8
 Survey Line

As Built



HEADMAN, FERGUSON & CAROLLO PHOENIX, ARIZONA			
LAS VEGAS NEVADA			
OUTFALL SEWER MANHOLE DETAILS			
DESIGNED S.C.W.	CHECKED S.C.W.	DATE Jan. 1956	SHEET NO. 20
DRAWN S.C.W.		REVISION MAY 1956	TOTAL SHEETS 22
			3677-B-1056

NO SCALE

14-1-32 307-V242