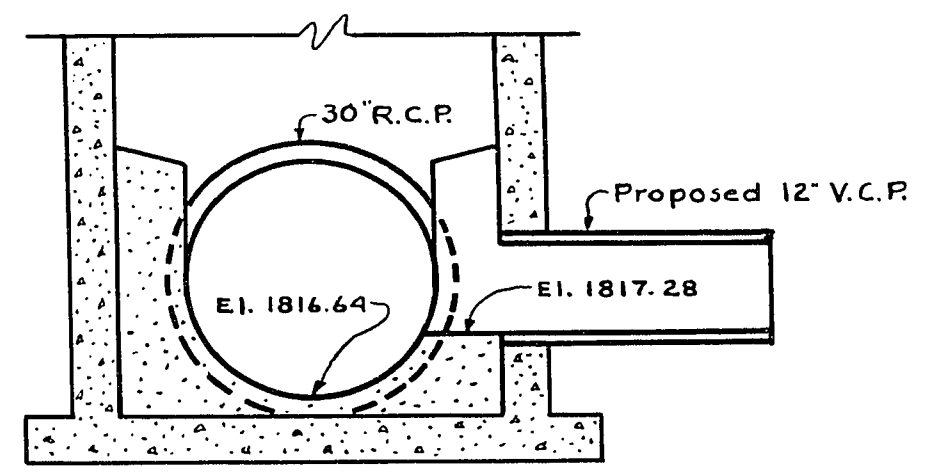
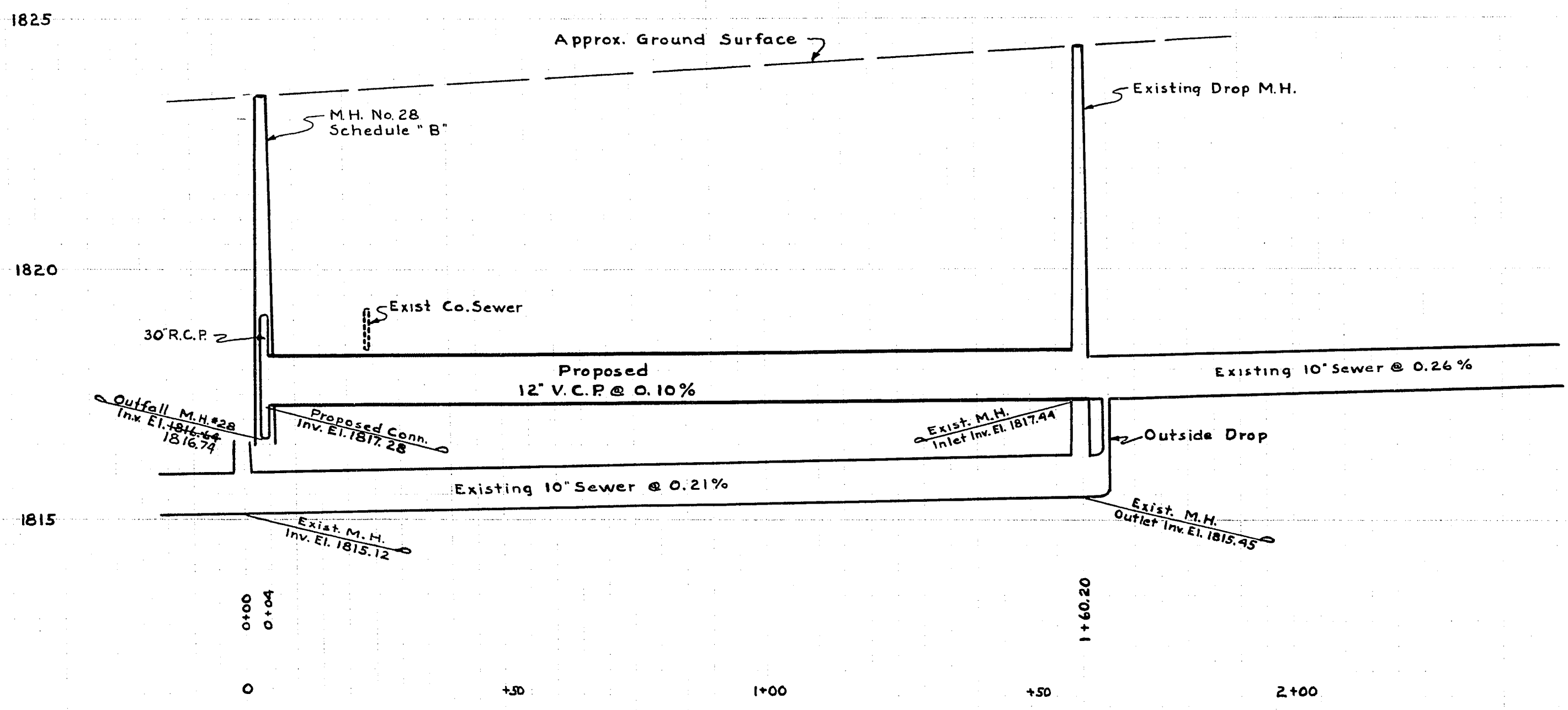


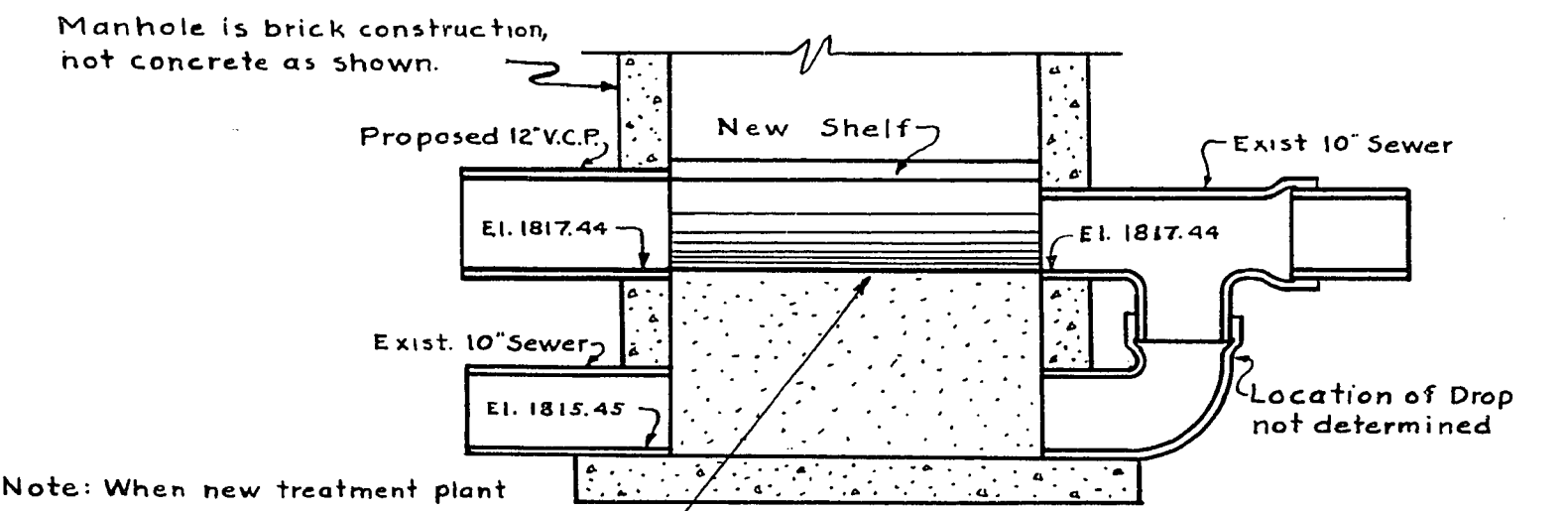
PLAN
Scale: 1" = 20'

Note: Contractor to excavate and determine exact location and depth of County San. Sewer before commencing. New 12" line must clear under County sewer.

SCALES
HORIZ. 1" = 20'
VERT. 1" = 2'



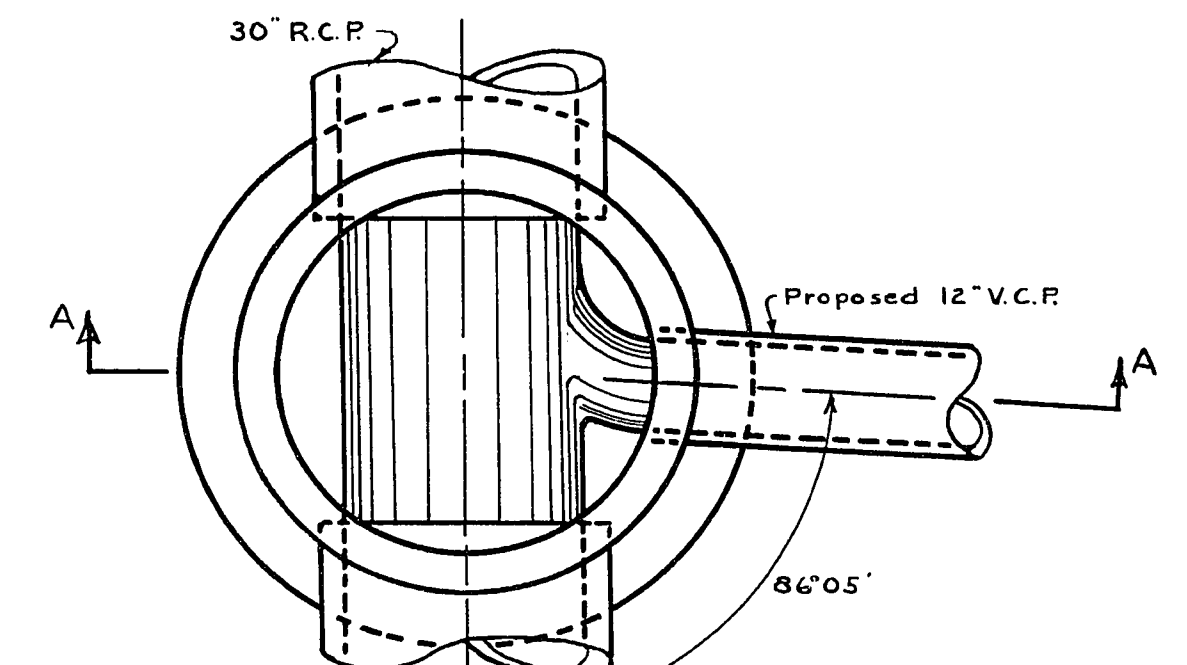
SECTION A-A



SECTION B-B

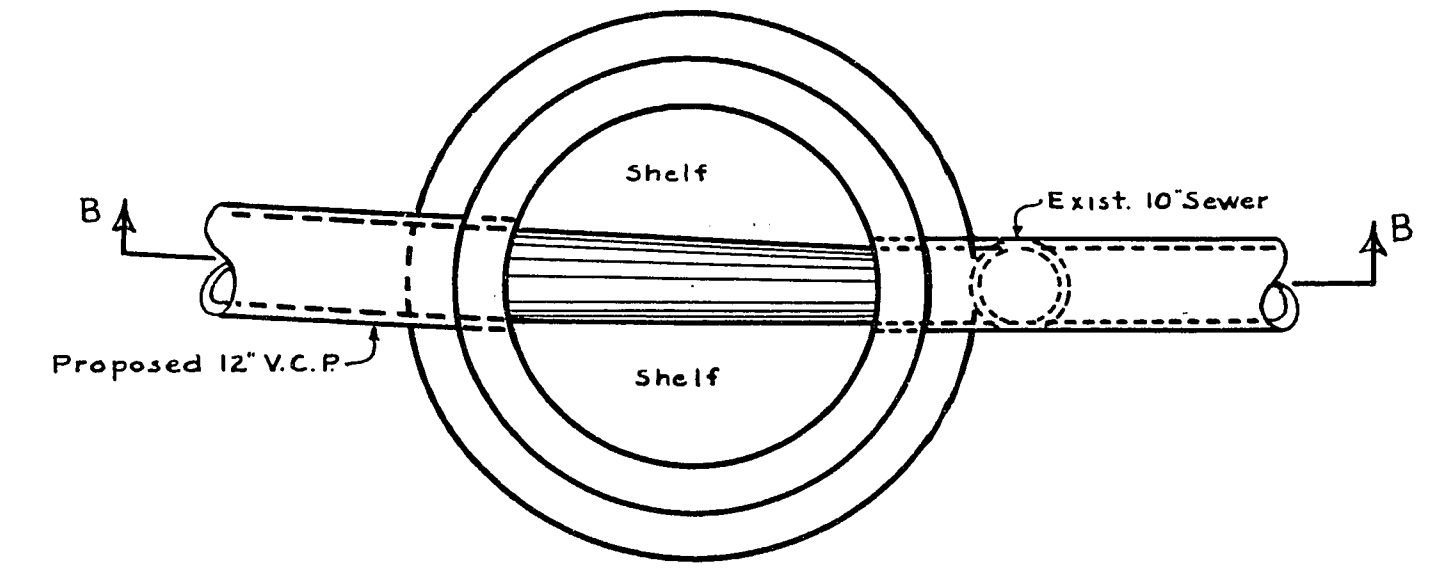
Note: When new treatment plant is complete, plug 10" outlet and raise floor of M.H. with concrete, forming new invert at elev. 1817.44

3/28/58: Supt. of Sanitation requested that the floor not be raised at the present time. Thus the sewage flow is not diverted to the 12" line.



PLAN
M.H. NO. 28 - STA. 31+60

Scale: 1" = 2'



PLAN
EXISTING DROP M.H.
STA. 1+60.20 MOJAVE ROAD

As built

HEADMAN, FERGUSON & CAROLLO PHOENIX, ARIZ.				
LAS VEGAS, NEVADA				
OUTFALL SEWER - SCHEDULE B				
PROPOSED CONNECTION AT MOJAVE ROAD				
DESIGNED REW	CHECKED REW	MAY 1958	SHEET NO. 1	
DRAWN	TRACED REW	REVISED MAY 1958	TOTAL SHEETS 1	
3762-B-1054				

Sheet 17a of 22