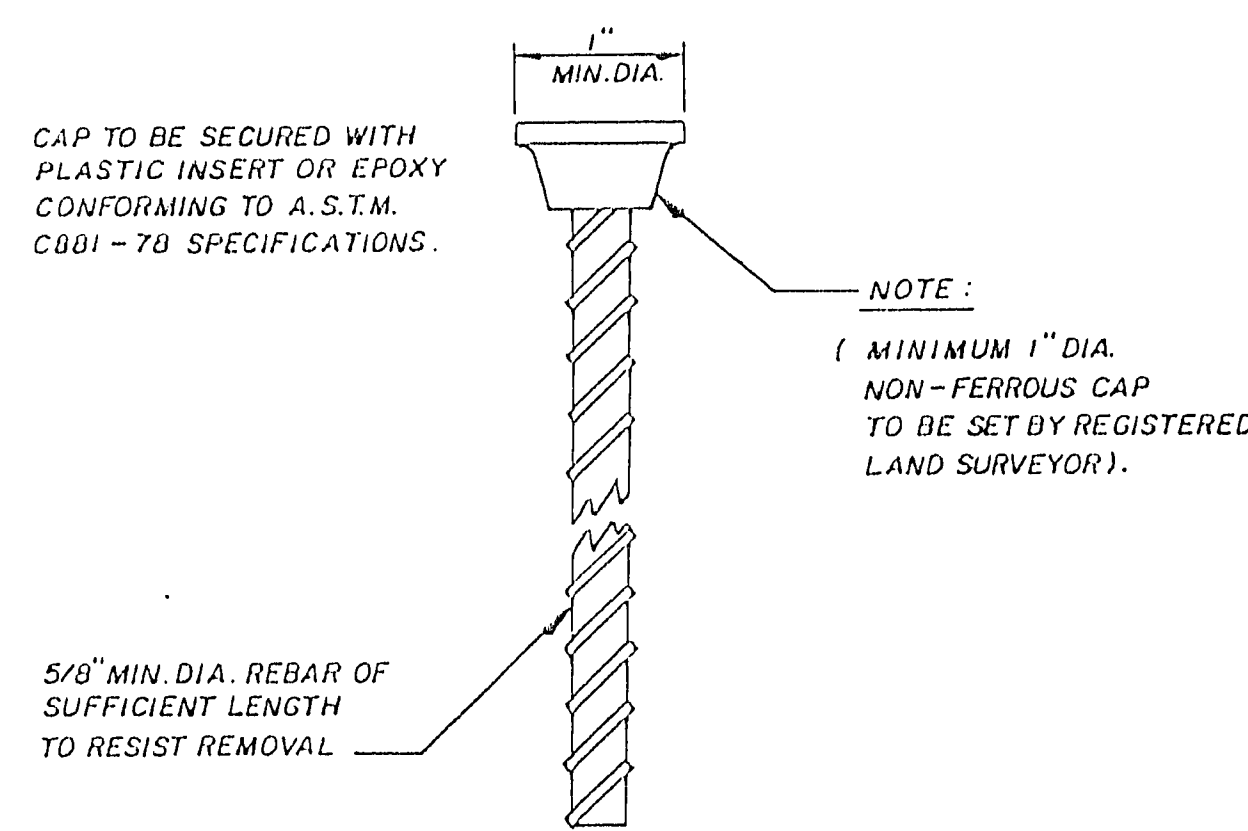


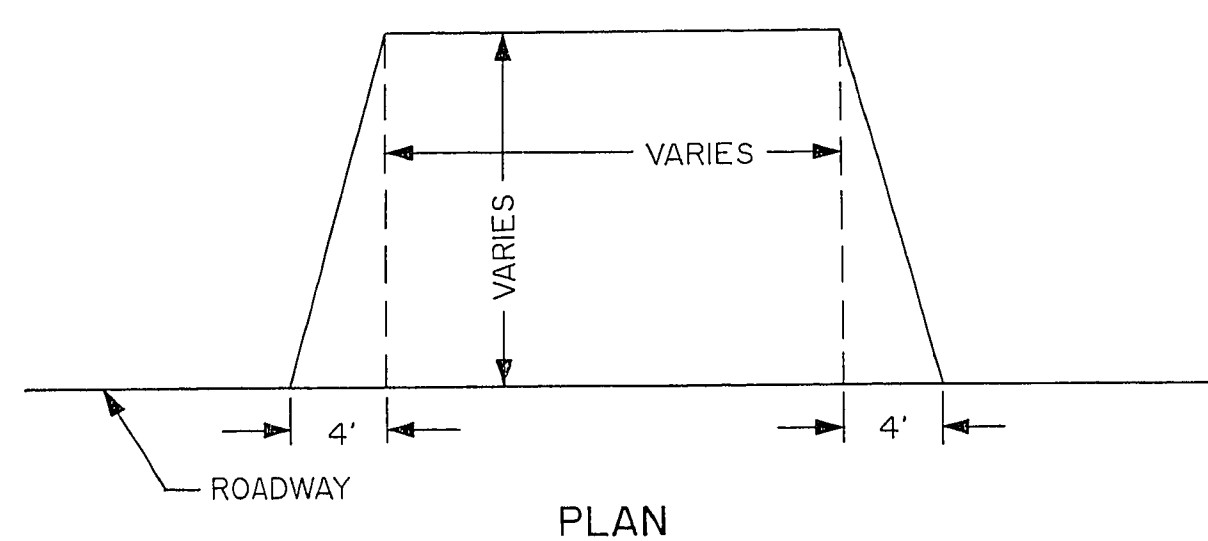
NOTES:

1. TYPE III MONUMENTS TO BE SET AT ALL CENTERLINE CONTROL POINTS NOT OTHERWISE IDENTIFIED BY A TYPE I OR TYPE II MONUMENT, INCLUDING STREET INTERSECTIONS, POINTS OF CURVATURE, POINTS OF TANGENCY, POINTS OF INTERSECTION AND CENTERS OF HAMMERHEAD TURNAROUNDS OR CIRCULAR CUL-DE-SACS.
2. THE REGISTERED LAND SURVEYOR'S NUMBER, AND A PUNCH MARK ARE TO APPEAR ON THE SURFACE OF THE CAP.

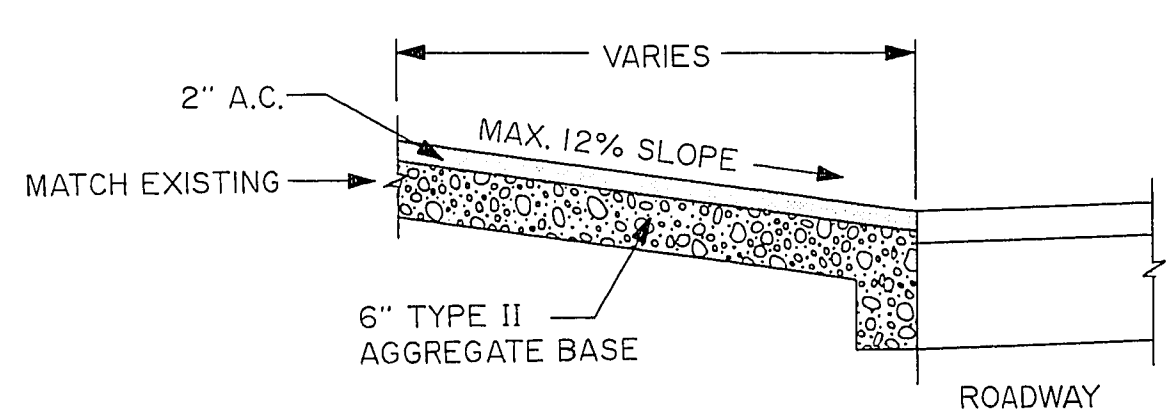


TYPE III MONUMENT

SPECIFICATION REFERENCE	UNIFORM STANDARD DRAWINGS CLARK COUNTY AREA
621 MONUMENTS	
	TYPE III MONUMENT 1/12
DATE	DWG NO. 241 PAGE NO. 47

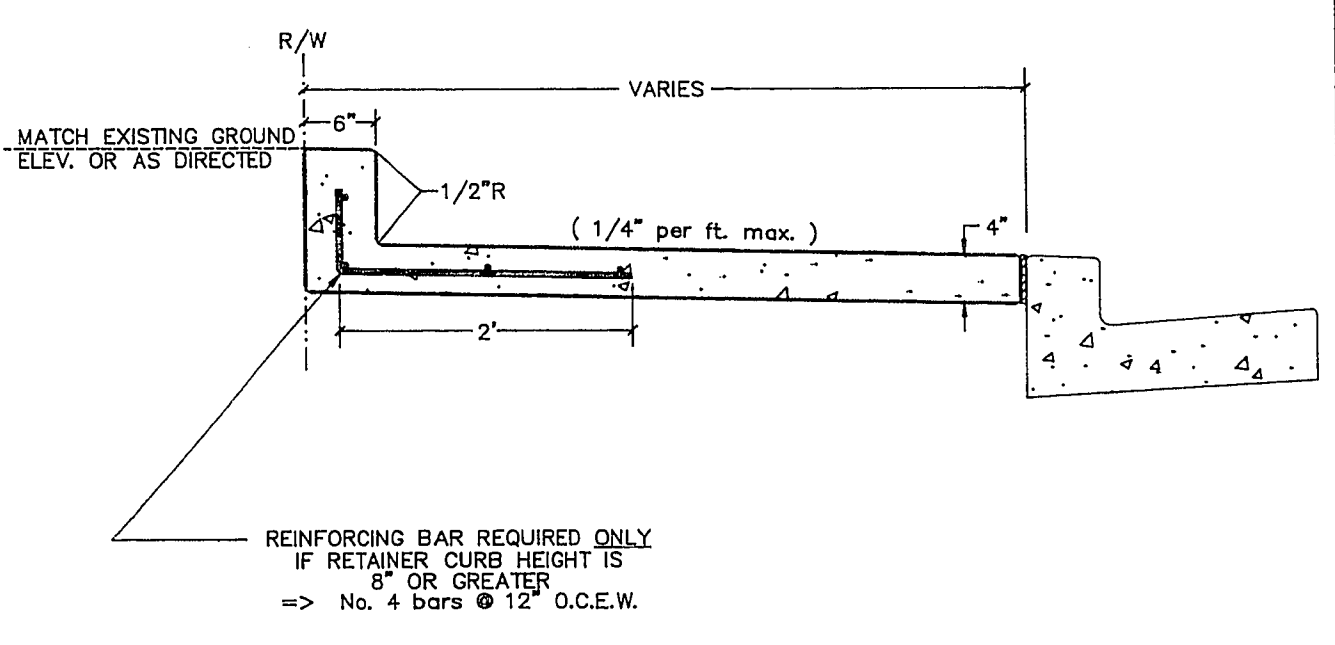


PLAN

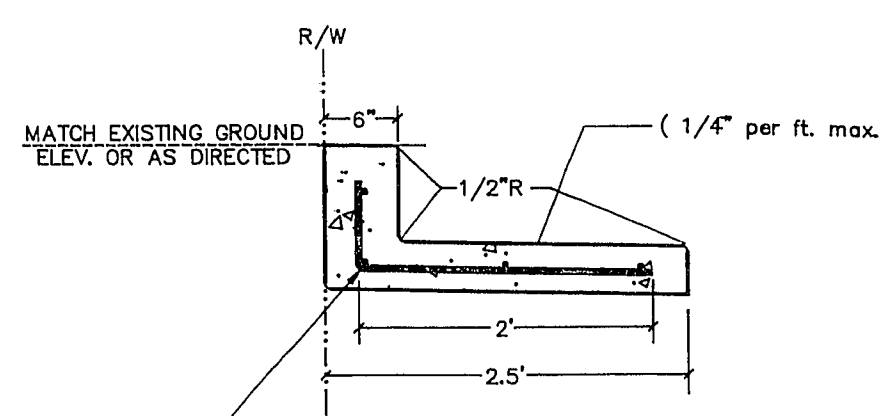


SECTION

SPECIFICATION REFERENCE	UNIFORM STANDARD DRAWINGS CLARK COUNTY AREA
302 AGGREGATE BASE	
	TYPICAL RESIDENTIAL ASPHALT CONCRETE DRIVEWAY 2/12
DATE	4/14/92 B.P.



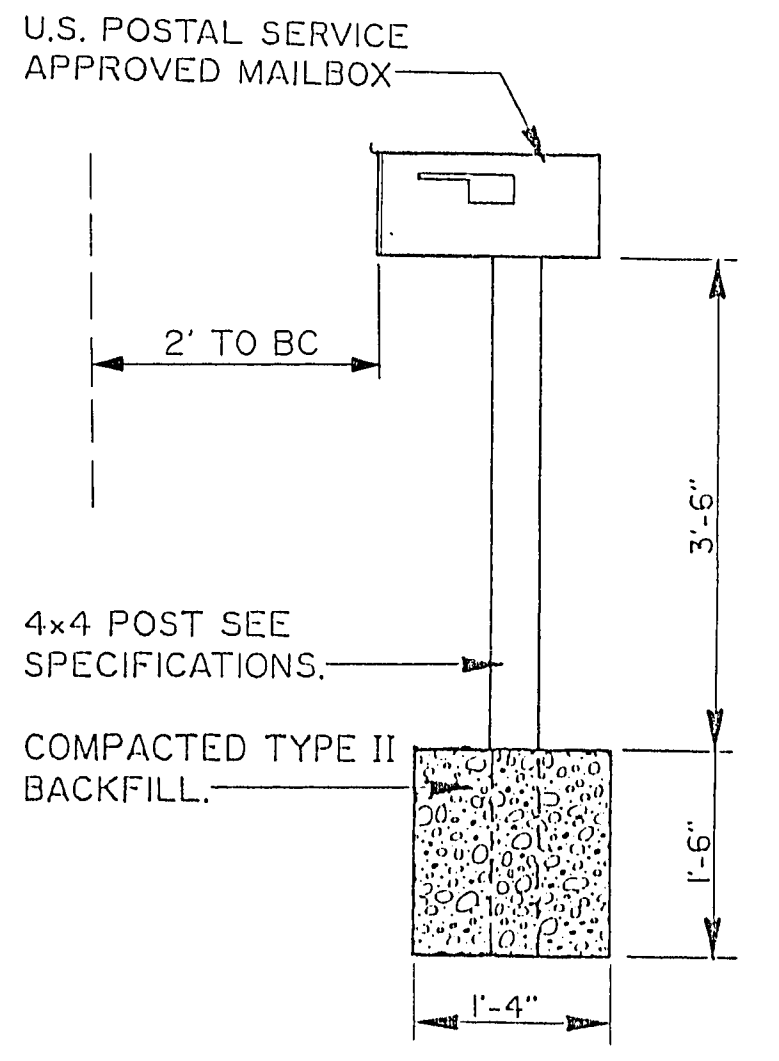
6" RETAINER CURB w/ SIDEWALK (no scale)



6" RETAINER CURB (no scale)

SPECIFICATION REFERENCE	UNIFORM STANDARD DRAWINGS CLARK COUNTY AREA
	SPECIAL 6 INCH RETAINER CURB 3/12
DATE	5/92 DWG BY: KCI PAGE NO.

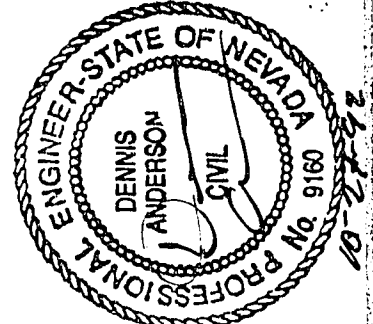
ELEVATION



DETAIL

MAILBOX 4/12

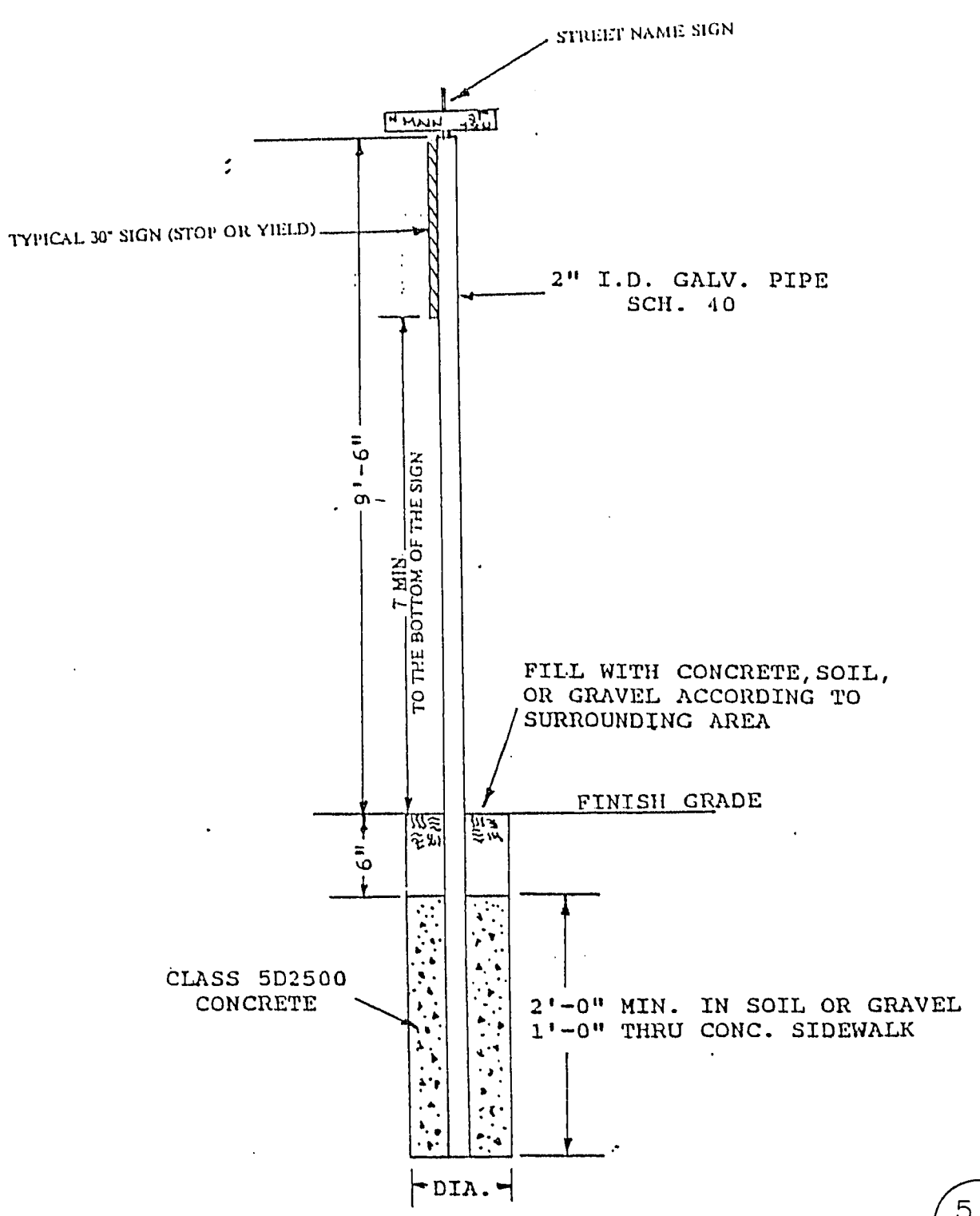
Call before you Dig.
1-800-227-2600
UNDERGROUND SERVICE USA



REVISIONS

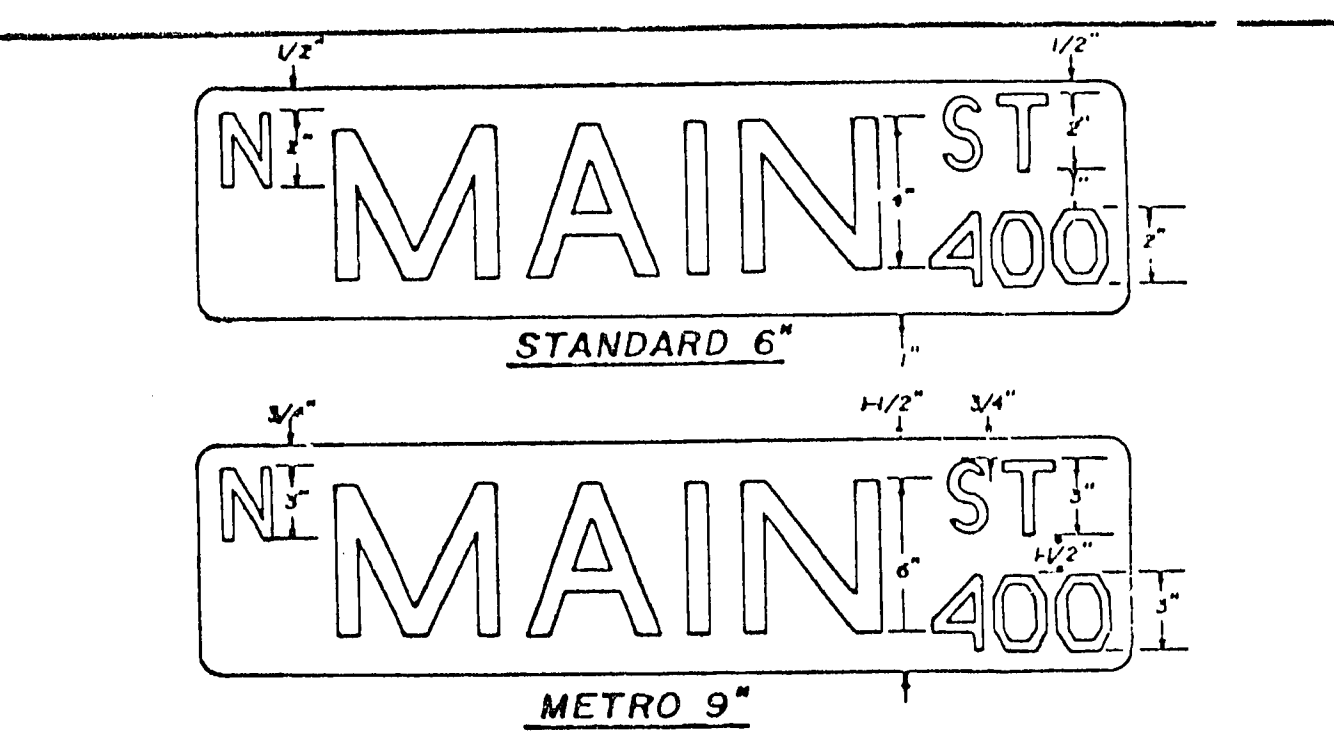
NO.	DATE	DESCRIPTION	BY

STREET REHABILITATION DESIGN
 DRAWN BY: KEITH IRONS
 CHECKED BY: DENNIS ANDERSON P.E.
 DATE: MARCH 92
 SHEET NO. 12 OF 13
 DRAWING NO. 107-V1916



STREET NAME SIGN POLE INSTALLATION

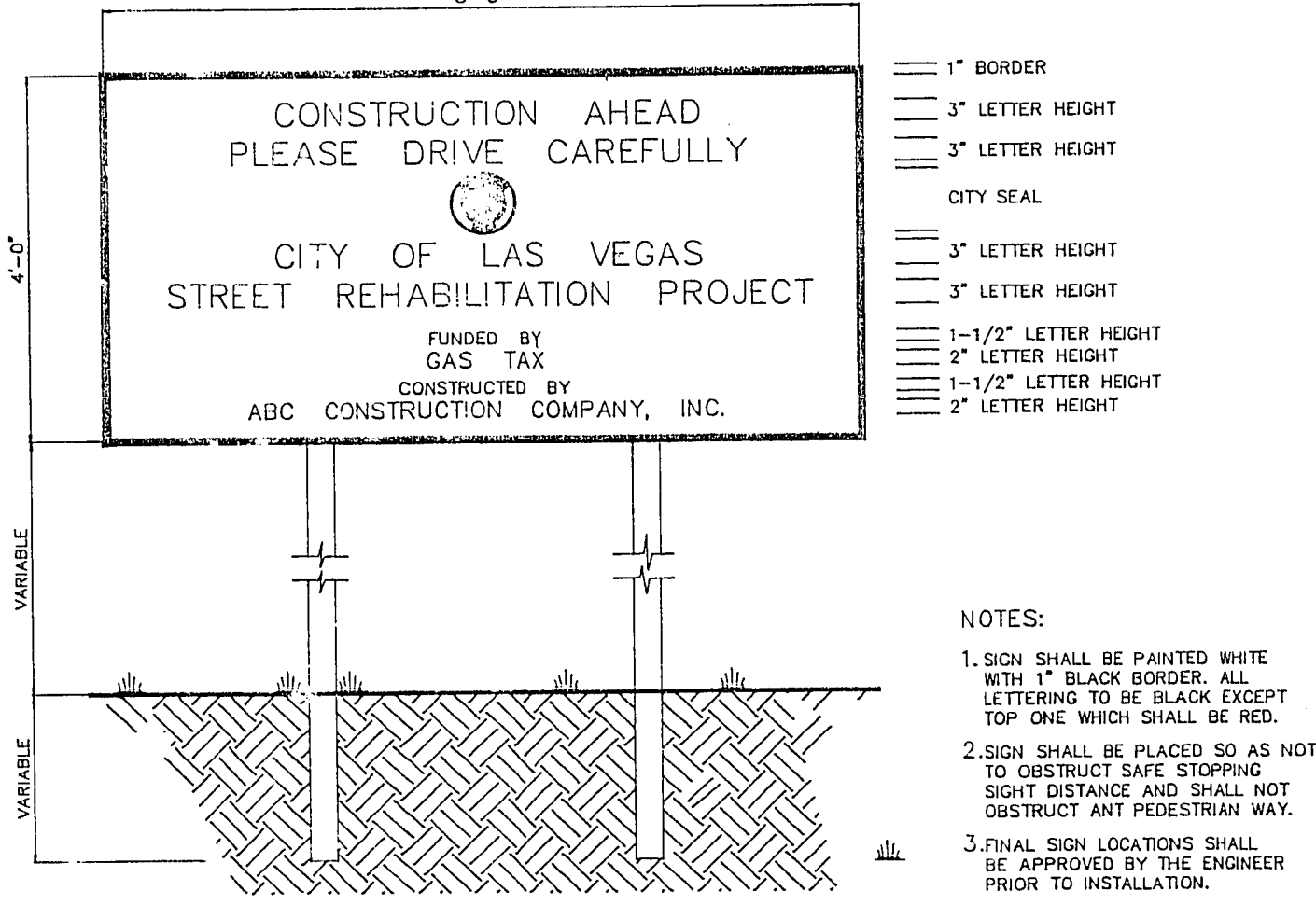
SPECIFICATION REFERENCE	UNIFORM STANDARD DRAWINGS CLARK COUNTY AREA
631 STREET NAME SIGNS	
	STREET NAME SIGNS FACE COPY 6/12
DATE	DWG NO. 250 PAGE NO. 56



- NOTES:**
1. SIGN SHALL BE REVERSE SCREENED WITH TRANSPARENT PAINT TO GIVE WHITE LETTERS & NUMBERS ON GREEN BACKGROUND. (THE CITY OF NORTH LAS VEGAS BACKGROUND IS BLUE). CUT-OUT LETTERS & NUMBERS ARE NOT ACCEPTABLE.
 2. SHEET REFLECTIVE MATERIAL SHALL BE WHITE IN COLOR, AND SHALL HAVE A MINIMUM BRIGHTNESS OF 100 CP PER FOOT-CANDLE PER SQUARE FOOT OF MATERIAL AT 2 DEGREES DIVERGENCE @ 4 DEGREES INCIDENCE.
 3. ALL LETTERS SHALL BE UPPER CASE. ALL LETTERS & NUMBERS SHALL CONFORM TO THE HEIGHT, WIDTH & STROKE WIDTH, AND SPACING, AS PER U.S. DEPARTMENT OF TRANSPORTATION PUBLICATION "STANDARD ALPHABETS FOR HIGHWAY SIGNS".
 4. SERIES LETTERS SHALL CONFORM TO THE FOLLOWING REQUIREMENTS AS DETERMINED BY CLASS OF SIGN CALLED FOR.
 5. METRO 9" SIGNS SHALL BE USED ON ALL 80' AND 100' RIGHT-OF-WAY STREETS.

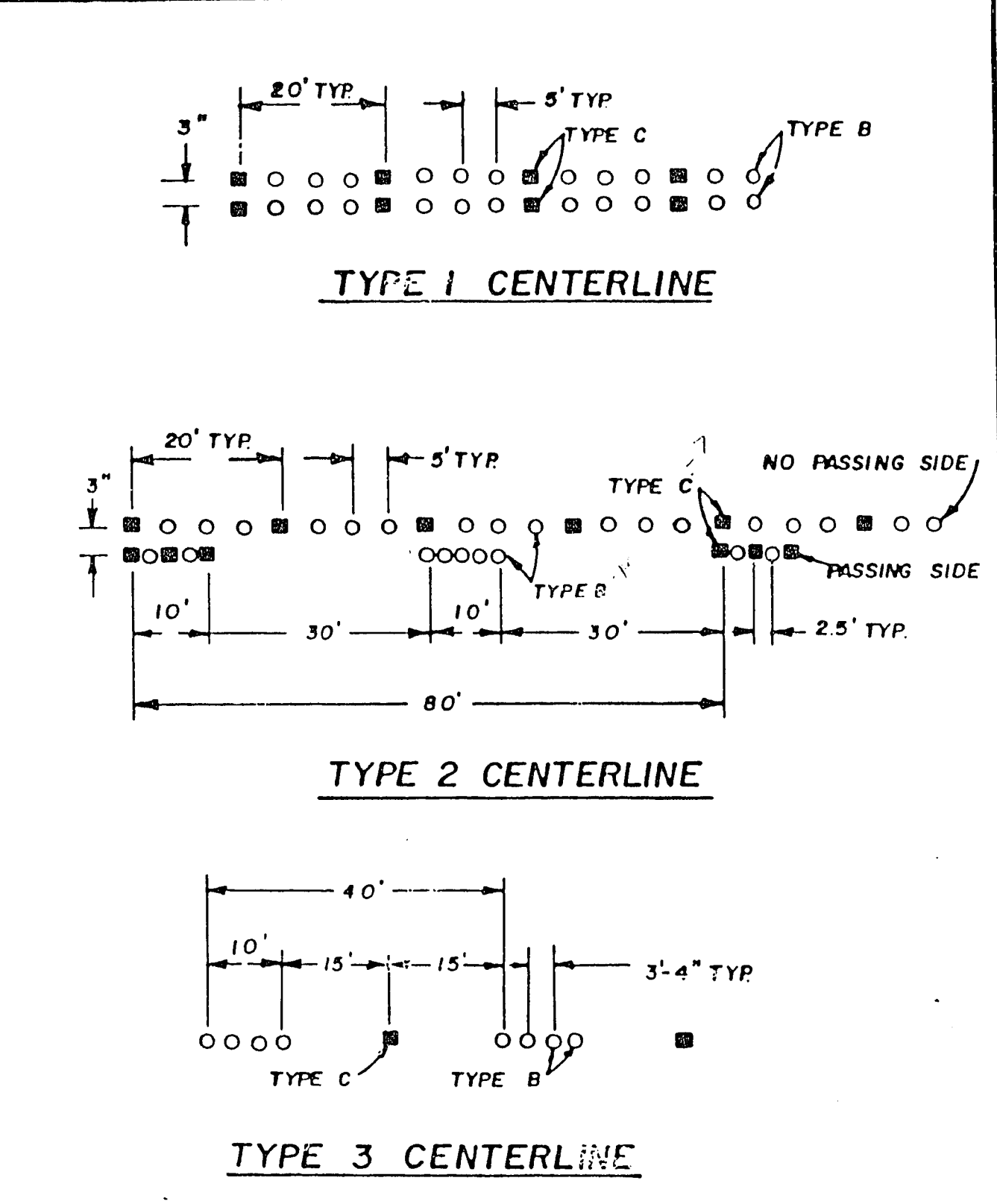
SIGN CLASS	SIGN LENGTH	PRIMARY COPY	DIRECTION, SUFFIX & BLOCK NUMBER
6" STANDARD	24"	4" C, D SERIES	2" C SERIES
	30"	4" C, D SERIES	2" C SERIES
	36"	4" A, B, C, D SERIES	2" C SERIES
9" METRO	36"	6" C, D SERIES	3" C SERIES
	42"	6" C, D SERIES	3" C SERIES
	48"	6" A, B, C, D SERIES	3" C SERIES

SPECIFICATION REFERENCE	UNIFORM STANDARD DRAWINGS CLARK COUNTY AREA
631 STREET NAME SIGNS	
	STREET NAME SIGNS FACE COPY 6/12
DATE	DWG NO. 250 PAGE NO. 56



PROJECT SIGN

SPECIFICATION REFERENCE	UNIFORM STANDARD DRAWINGS CLARK COUNTY AREA
	PROJECT SIGN 7/12
DATE	10/18/91



TYPE 1 CENTERLINE

TYPE 2 CENTERLINE

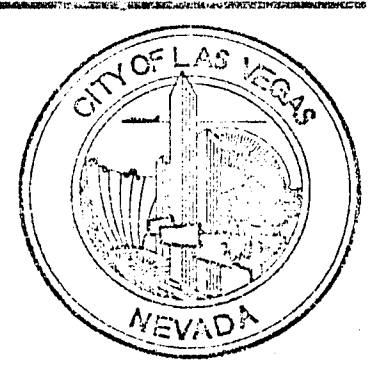
TYPE 3 CENTERLINE

SPECIFICATION REFERENCE	UNIFORM STANDARD DRAWINGS CLARK COUNTY AREA
633 PAVEMENT MARKERS	
	TYPICAL CENTERLINE DELINEATION 8/12
DATE	DWG NO. 244 PAGE NO. 50

Department of Public Works

CASHMAN/HASTINGS

DETAIL SHEET



DRAWING NO.	107-V1916
SHEET NO.	12 OF 13

27-3-46