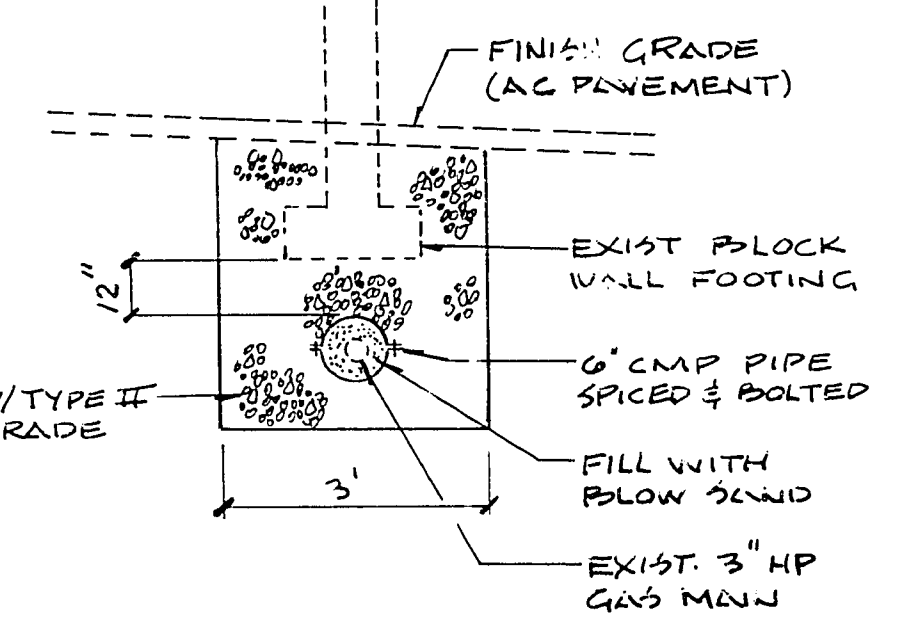
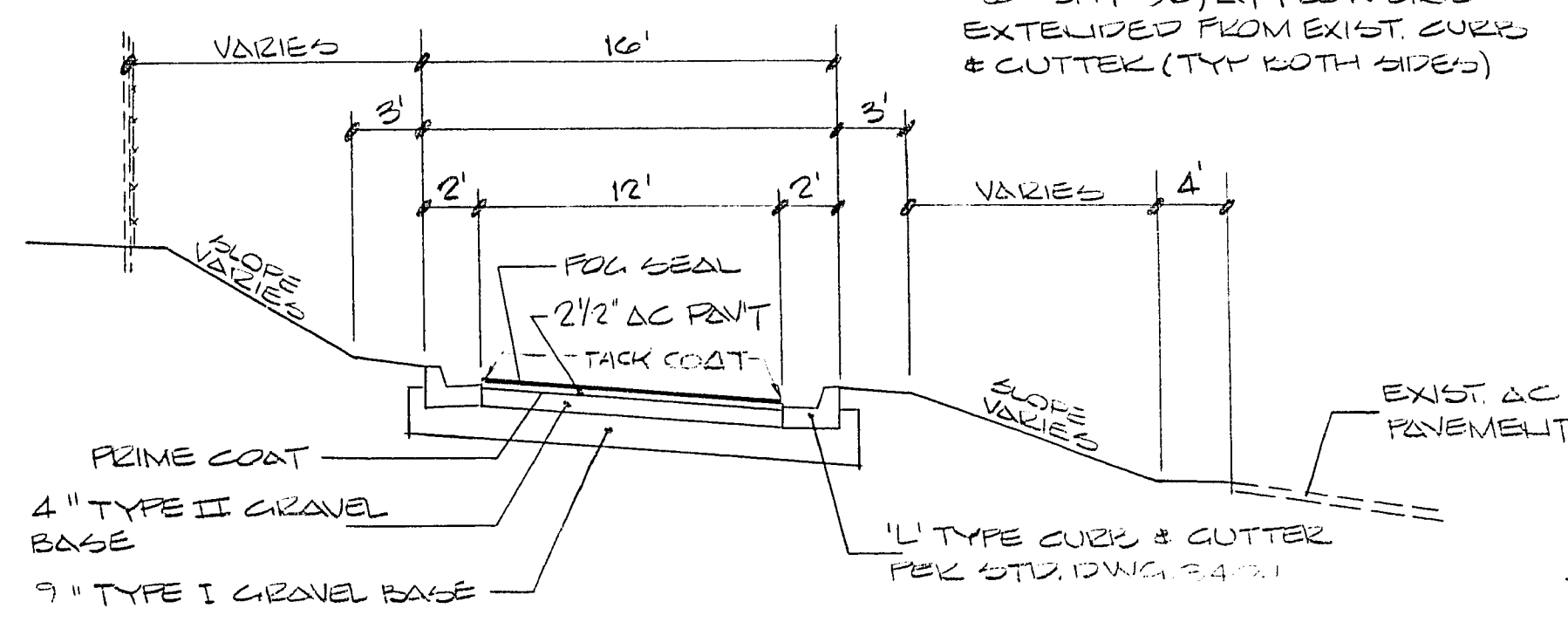


BENCH MARK
 NEVADA HIGHWAY DEPT BRASS CAP IN TOP OF CURB AT THE SW CORNER OF LAS VEGAS BLVD. NORTH & WASHINGTON AVE.
 ELEVATION 1942.96.
 (ELEVATION ESTABLISHED BY G.C. WALLACE ENGINEERS DECEMBER 1980).
 DATUM UNKNOWN.
 TBM - PANEL POINTS HV-6 ELEVATION 1957.20 LOCATED IN A.C. PAVEMENT AT HARRIS AVE. & 11TH ST.

LEGEND
 — PROPERTY LINE
 — STREET CENTERLINE
 (0000) EXISTING GRADE
 (0000) FINISH GRADE (F = FLOWLINE; T.C. = TOP OF CURBS)



SECTION A
 HARRIS

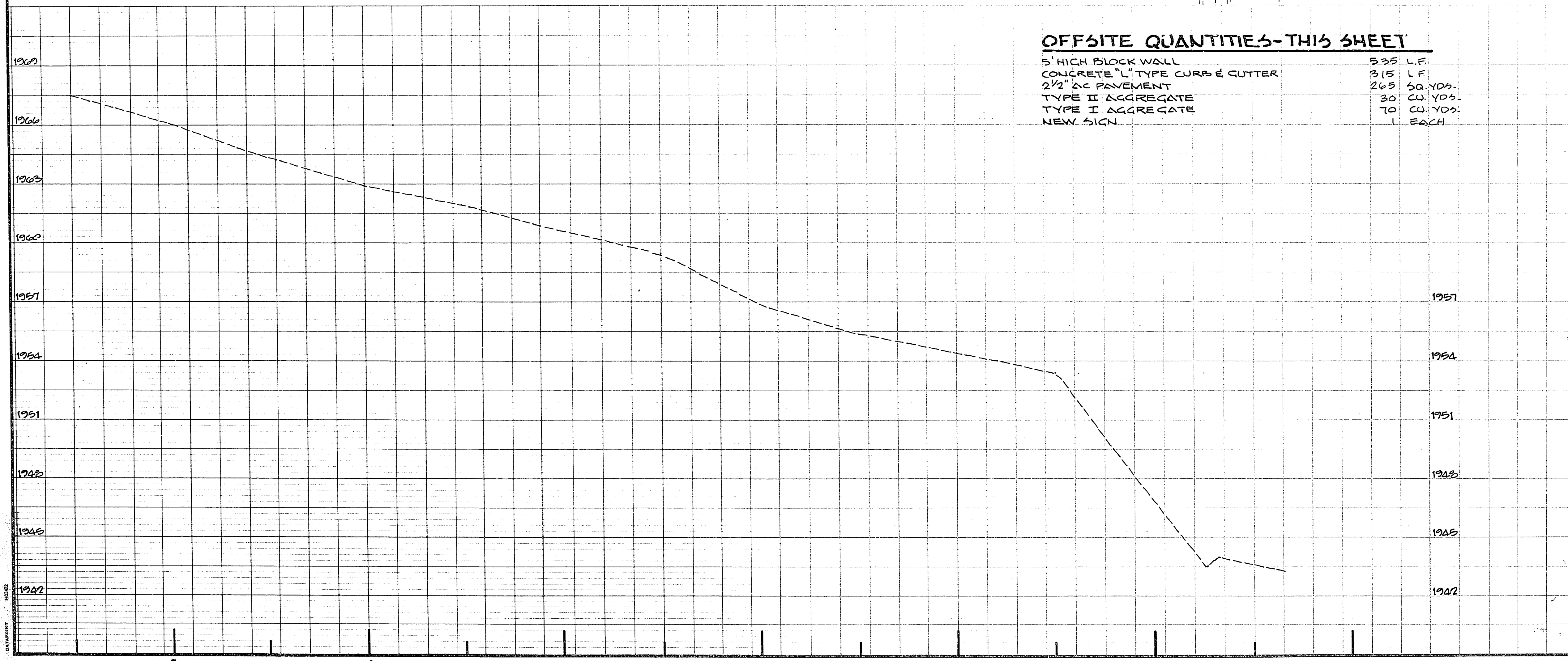
DETAIL 1
 HARRIS AVENUE

OFFSITE QUANTITIES-THIS SHEET

5' HIGH BLOCK WALL	535 L.F.
CONCRETE "L" TYPE CURB & CUTTER	315 L.F.
2 1/2" AC PAVEMENT	265 SQ. YDS.
TYPE II AGGREGATE	30 CU. YDS.
TYPE I AGGREGATE	70 CU. YDS.
NEW SIGN	1 EACH

APPROVALS

<i>Richard J. Roman</i> CLV TRAFFIC ENGINEER	12-14-81
<i>W. J. Fisher</i> CLV FIRE MARSHAL	12-11-81
<i>Francis Roman</i> CLV ELECTRICAL COORDINATOR	11/15/81
<i>R.W. Beck</i> CLV QUALITY CONTROL ENGR.	11/5/81
<i>William H. Harris</i> CLV ENGINEER	1/26/82
<i>Michael S. G...</i> NEVADA POWER	12-10-81



PREPARED FOR: **GEORGE TATE & ASSOC.**

DATE: **CNA**
 DESIGN: **ANNA**
 DRAWN: **CNA**
 CHECK: **CNA**

BAUGHMAN & TURNER
 MINING ENGINEERS
 LAND SURVEYORS
 LAS VEGAS, NEVADA
 2335 WEST CHARLESTON BOULEVARD
 89102

STREET DESIGN
 HARRIS AVENUE
 SECTION 26, TOWNSHIP 20 SOUTH, RANGE 12 EAST, M.D.B. 4M.
 CITY OF LAS VEGAS
 CASHMAN STREETS & CONVENTION COMPLEX

SCALE: HORIZ 1" = 30' VERT 1" = 3'

PROJ. NO. 107-V 1206