

2-5-14

PLAN

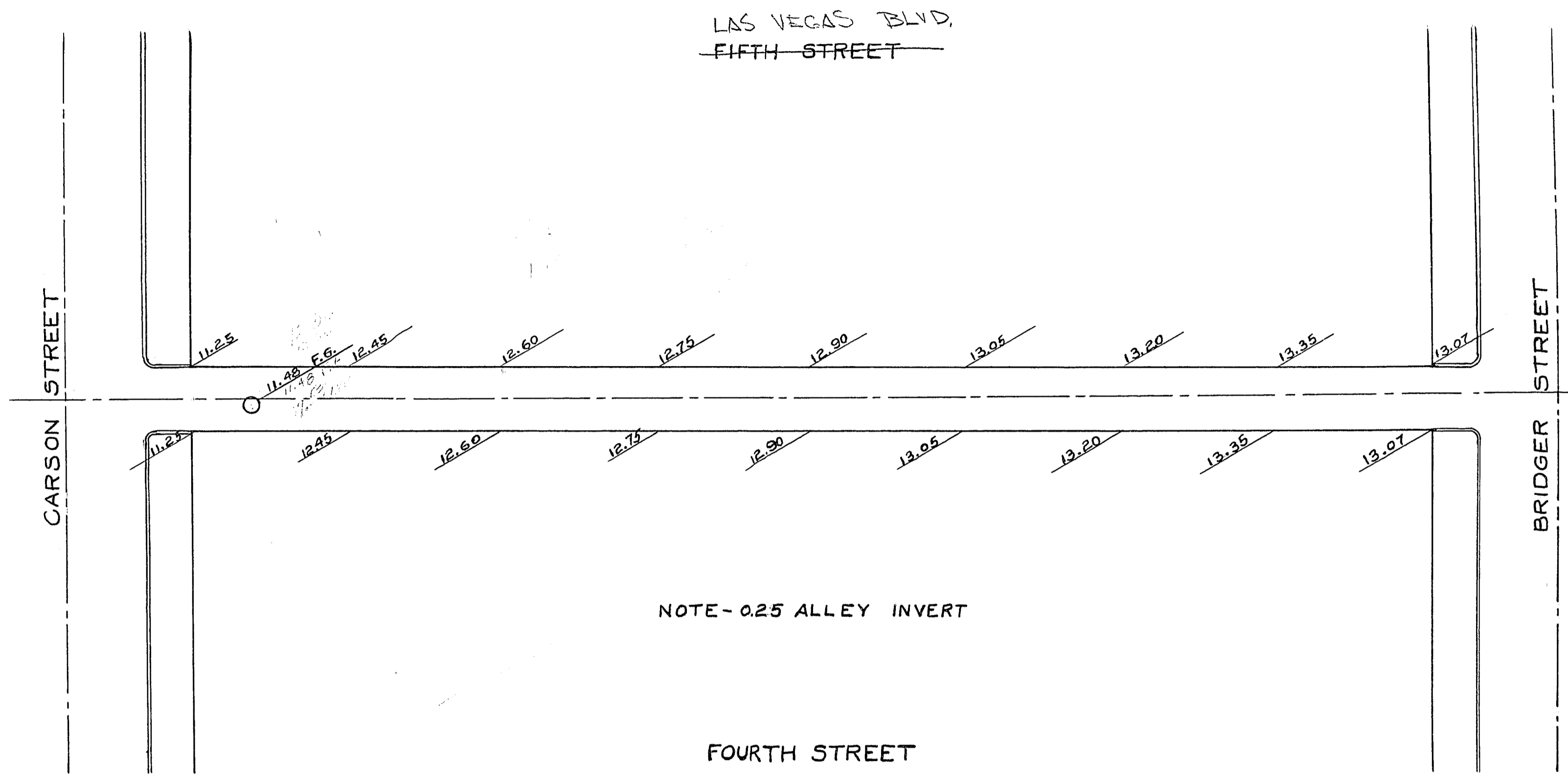
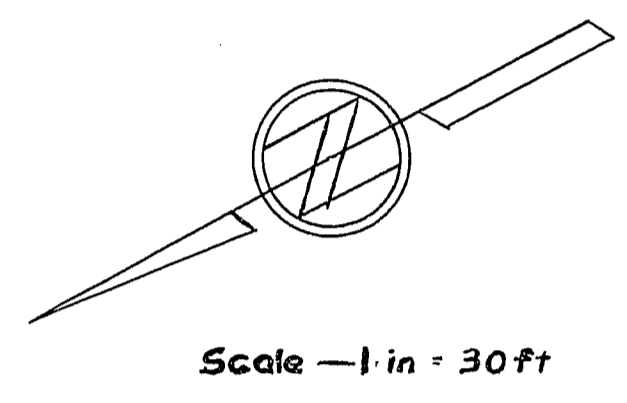
DATE: _____

SCALE: _____

PROJECT: _____

NOTE: BOOK _____

FIG. _____



FB. 1075 P. 24
 B.M. United FR. No. 51d
 Carson bet 4th & 5th
 Elevation 2013.61

PROFILE

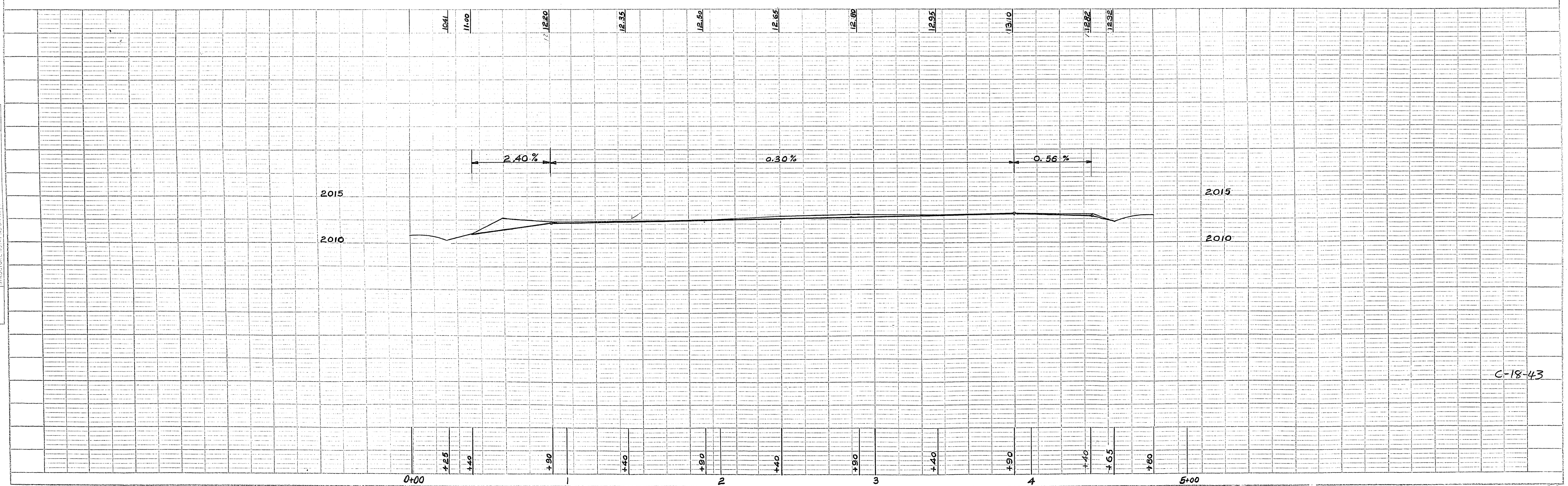
DATE: _____

SCALE: _____

PROJECT: _____

NOTE: BOOK _____

FIG. _____



C-18-43

ALLEY Between 4th & 5th - Carson to Bridger

108-V33

PLATE 111-40, 111-41, 111-42, 111-43, 111-44, 111-45, 111-46, 111-47, 111-48, 111-49, 111-50, 111-51, 111-52, 111-53, 111-54, 111-55, 111-56, 111-57, 111-58, 111-59, 111-60, 111-61, 111-62, 111-63, 111-64, 111-65, 111-66, 111-67, 111-68, 111-69, 111-70, 111-71, 111-72, 111-73, 111-74, 111-75, 111-76, 111-77, 111-78, 111-79, 111-80, 111-81, 111-82, 111-83, 111-84, 111-85, 111-86, 111-87, 111-88, 111-89, 111-90, 111-91, 111-92, 111-93, 111-94, 111-95, 111-96, 111-97, 111-98, 111-99, 111-100