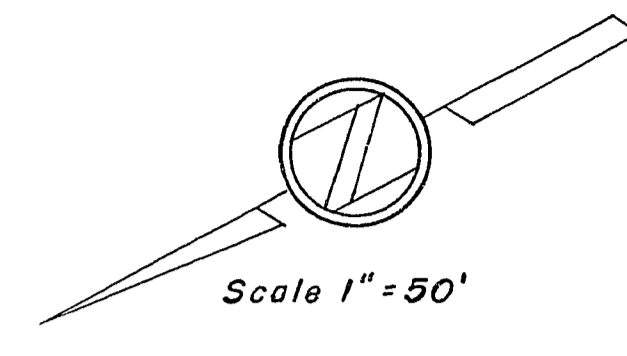


2-5-47



PLAN

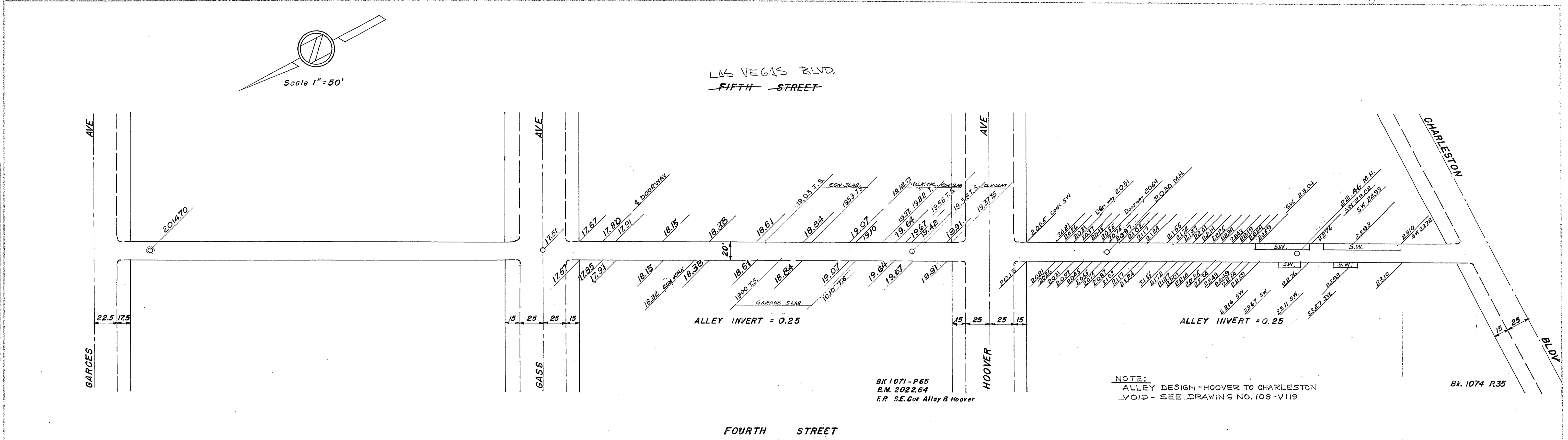
DATE: _____

BY: _____

CHECKED: _____

NO. _____

NOTE: BOOK GRADINGS CHECKED
BY: _____



BK 1071-P65
R.M. 2022.64
E.P. SE. Cor Alley & Hoover

NOTE:
ALLEY DESIGN - HOOVER TO CHARLESTON
VOID - SEE DRAWING NO. 108-V119

Bk. 1074 P.35

PROFILE

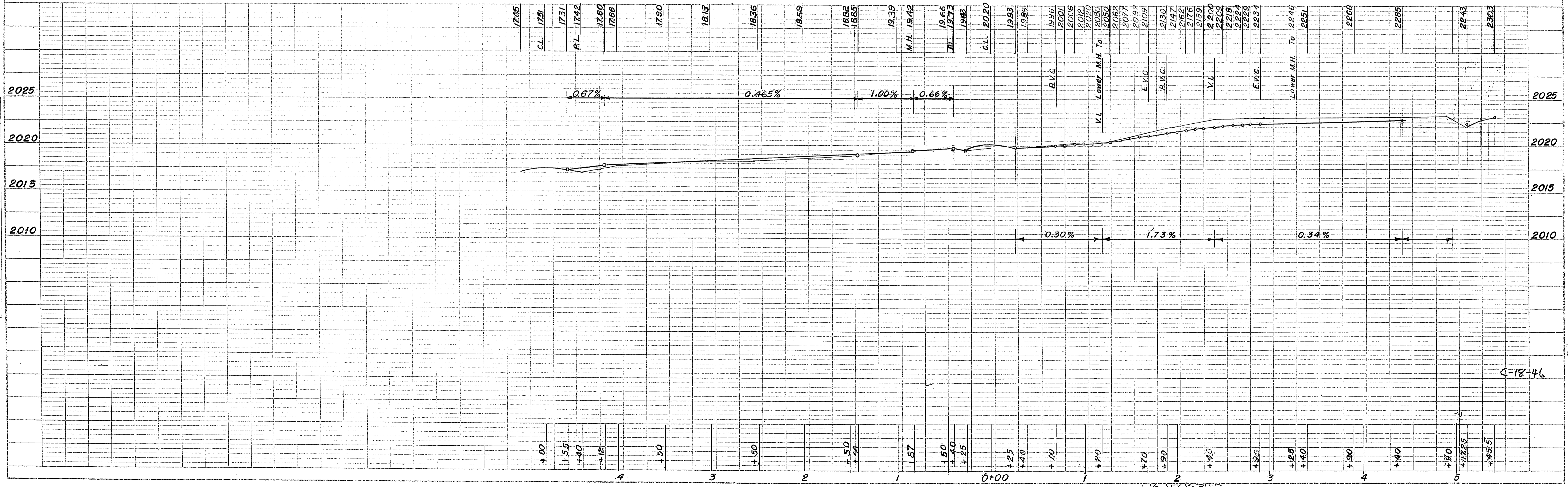
DATE: _____

BY: _____

CHECKED: _____

NO. _____

NOTE: BOOK GRADINGS CHECKED
BY: _____



PLAT 1 PLAN PROFILE OF U.S.A. STANDARD
REPRODUCED BY THE U.S. GEOLOGICAL SURVEY

ALLEY bet. 4th & 5th from Garces to Charleston Bldg.

108-V 35