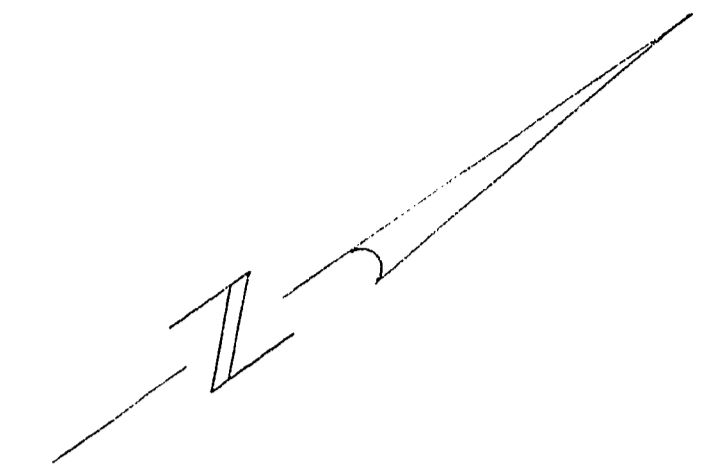
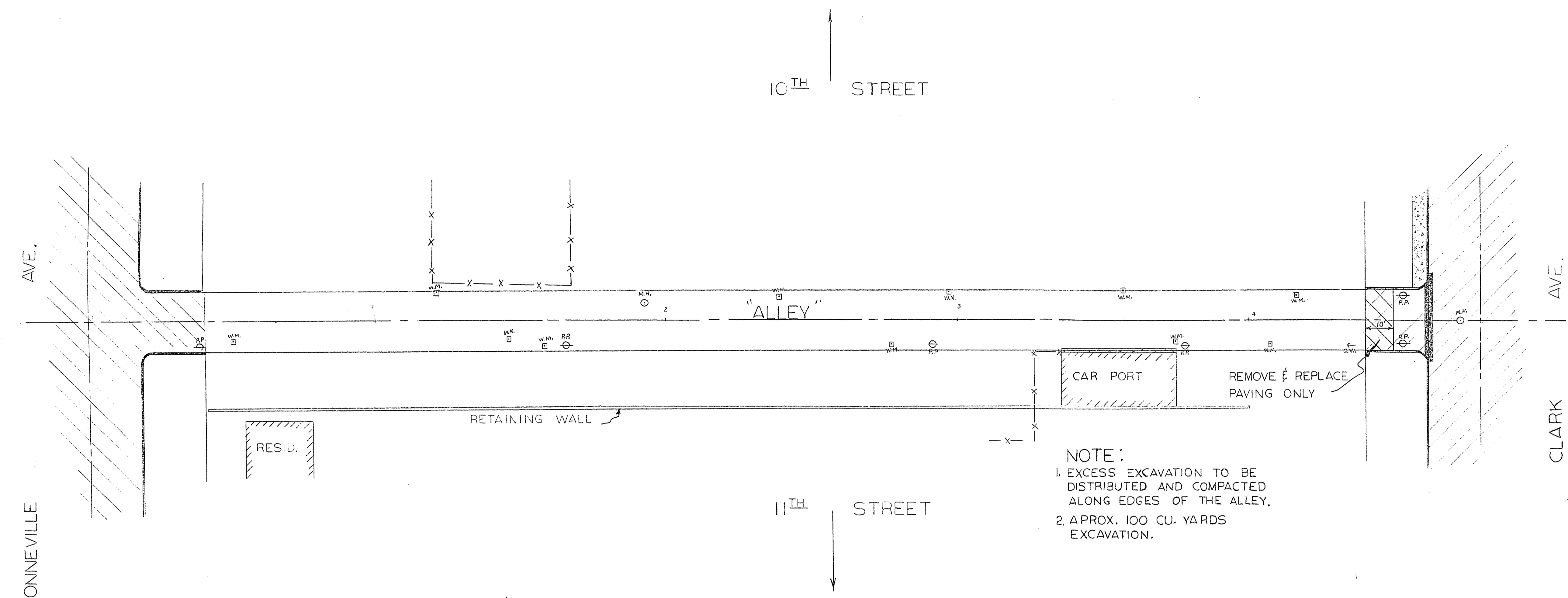


2-5-78

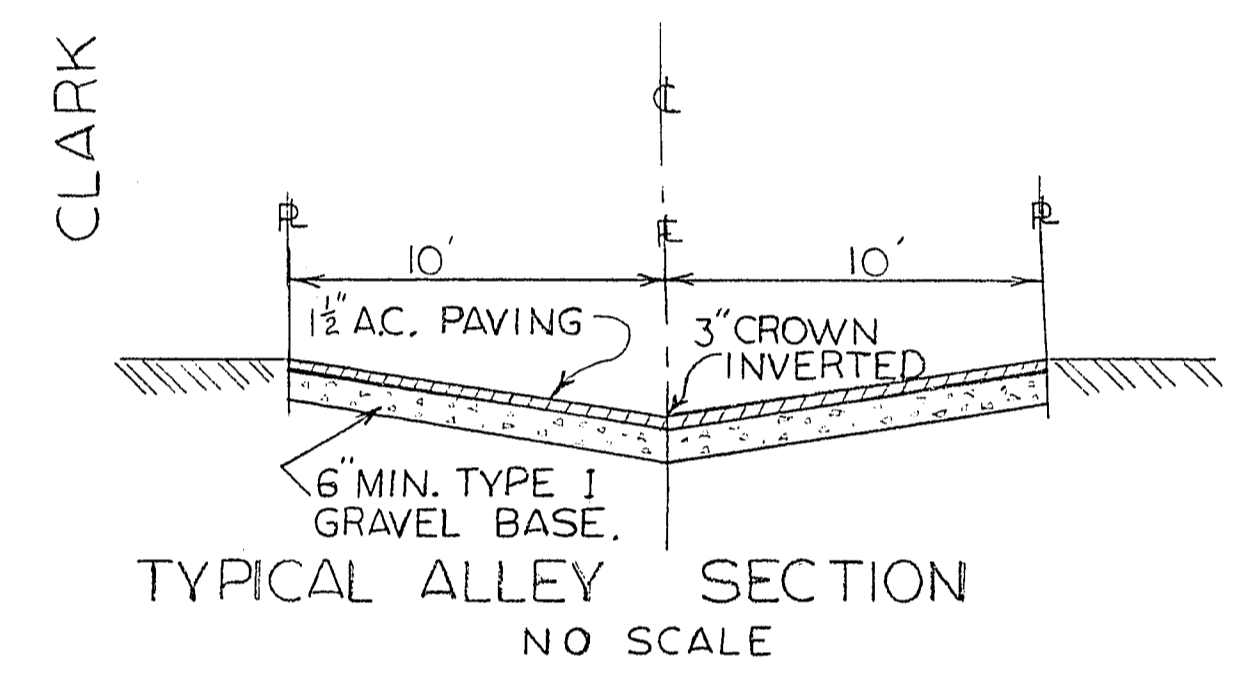


HARRIS 1/3-60
J.W. FERNANDES 1/1-60

60-IX

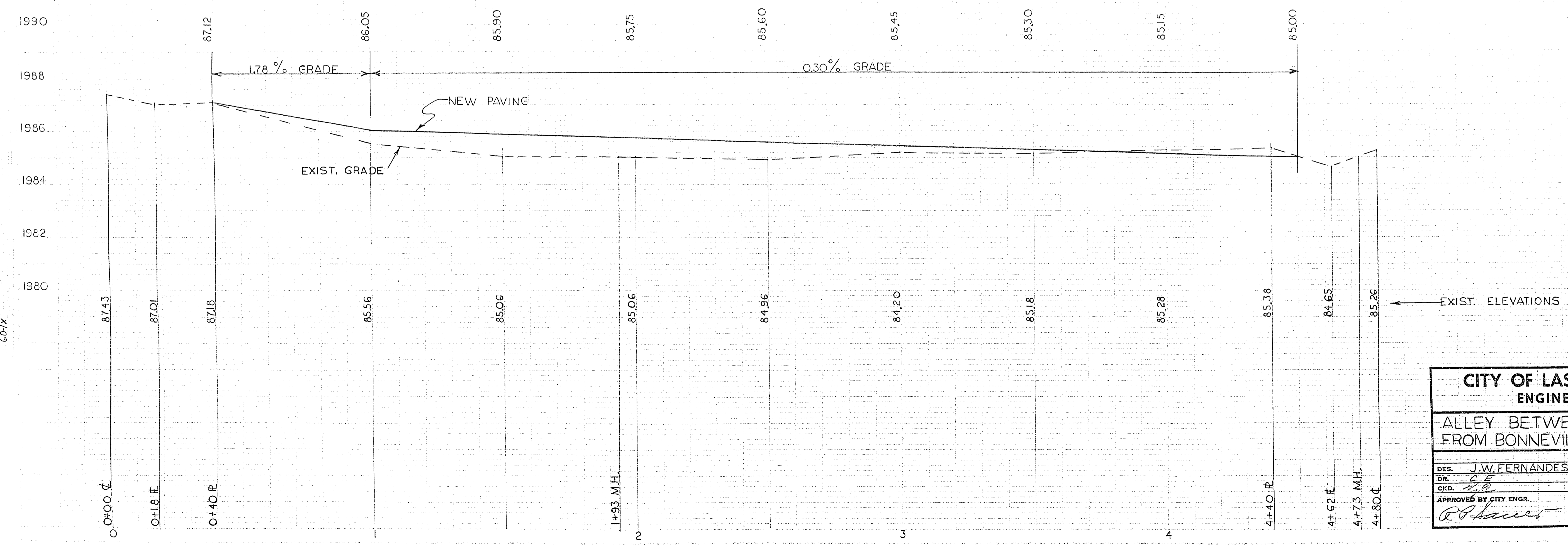


NOTE:
 1. EXCESS EXCAVATION TO BE DISTRIBUTED AND COMPACTED ALONG EDGES OF THE ALLEY.
 2. APPROX. 100 CU. YARDS EXCAVATION.



HARRIS 1/3-60
J.W. FERNANDES 1/1-60

60-IX



EXIST. ELEVATIONS

CITY OF LAS VEGAS NEVADA
ENGINEERING DEPT.

ALLEY BETWEEN 10TH & 11TH STREET
 FROM BONNEVILLE TO CLARK ST.

DES. J.W. FERNANDES	DATE 11-4-60	SC. HW 1" = 20'
DR. C.F.		SC. VV 1" = 2'
CHKD. H.B.		F.D.K. NO. 60-1X
		P.L.O. NO. 11-12
APPROVED BY CITY ENGR. <i>[Signature]</i>		DRAWING NO. 108-V47A