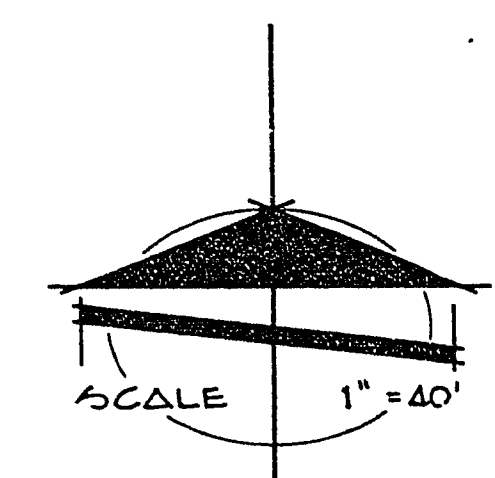
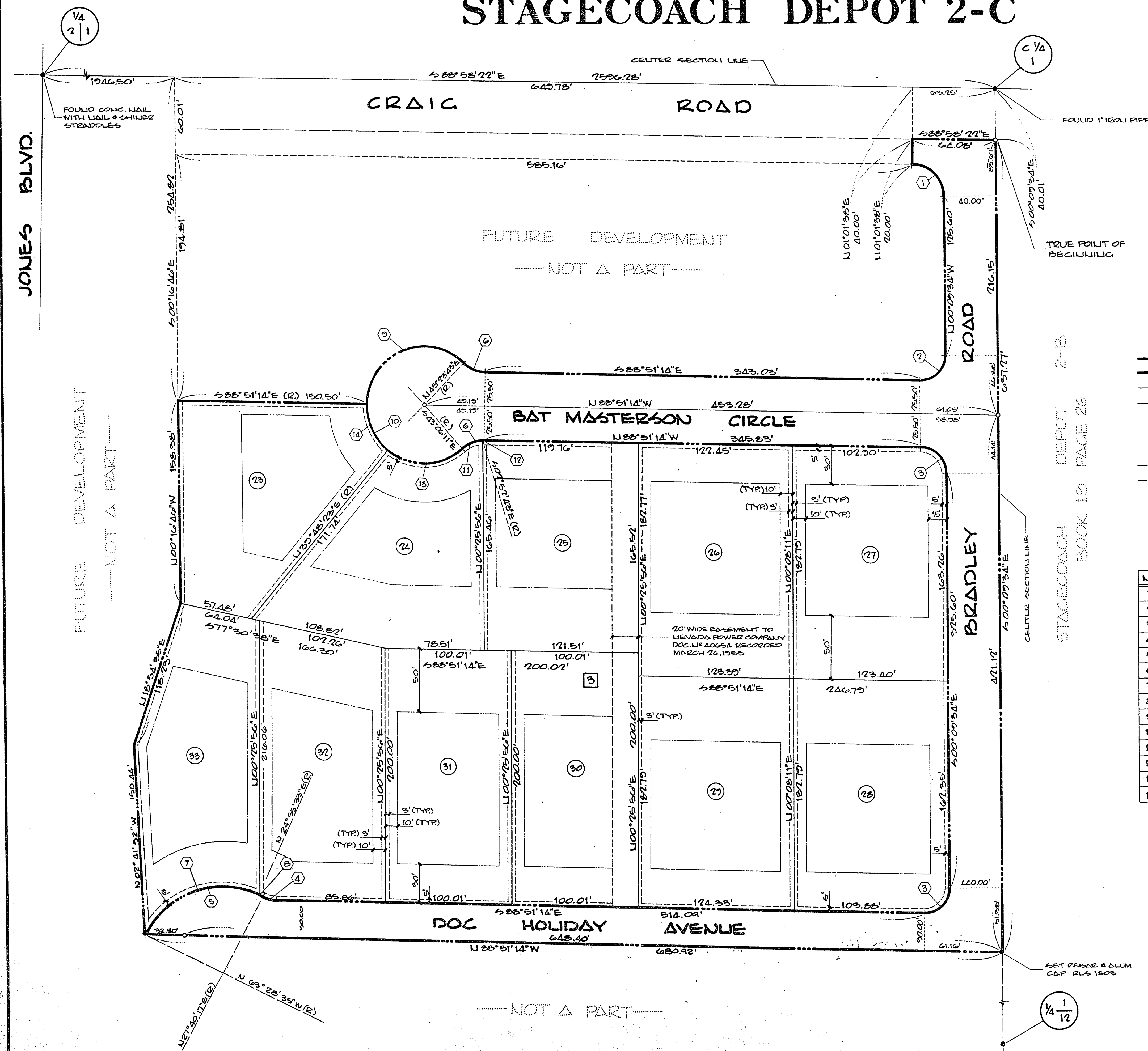


# AMENDED PLAT OF STAGECOACH DEPOT 2-C



### LEGEND

- PROPERTY LINE
- STREET CENTERLINE
- LOT LINE
- LOT NUMBER
- CURVE DATA
- BLOCK NUMBER
- BLDG. SETBACK LINE
- UTILITY EASEMENT LINE
- POINTS FOUND AS SHOWN

### CURVE DATA

N°	R	Δ	L	T
1	75.00'	88° 45' 45"	35.75'	24.40'
2	70.00'	91° 15' 20"	31.51'	20.46'
3	70.00'	88° 41' 40"	30.96'	19.55'
4	75.00'	26° 31' 32"	11.51'	5.82'
5	70.00'	91° 08' 52"	111.36'	71.42'
6	75.00'	44° 14' 57"	19.31'	10.16'
7	70.00'	88° 24' 07"	108.00'	68.07'
8	70.00'	02° 44' 44"	3.35'	1.68'
9	45.50'	134° 14' 57"	106.61'	26.88'
10	45.50'	268° 29' 54"	213.23'	107.54'
11	75.00'	40° 15' 30"	17.55'	9.16'
12	75.00'	04° 01' 25"	1.76'	0.09'
13	45.50'	82° 54' 34"	65.84'	40.19'
14	45.50'	51° 20' 23"	40.77'	21.51'