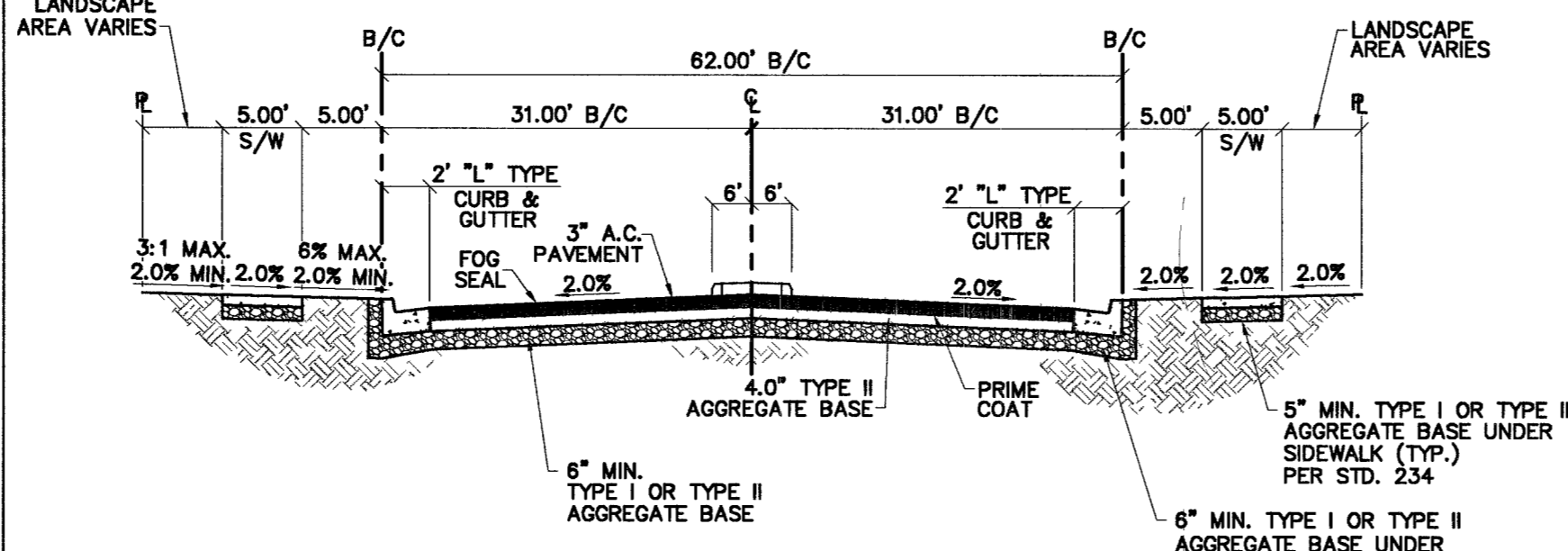
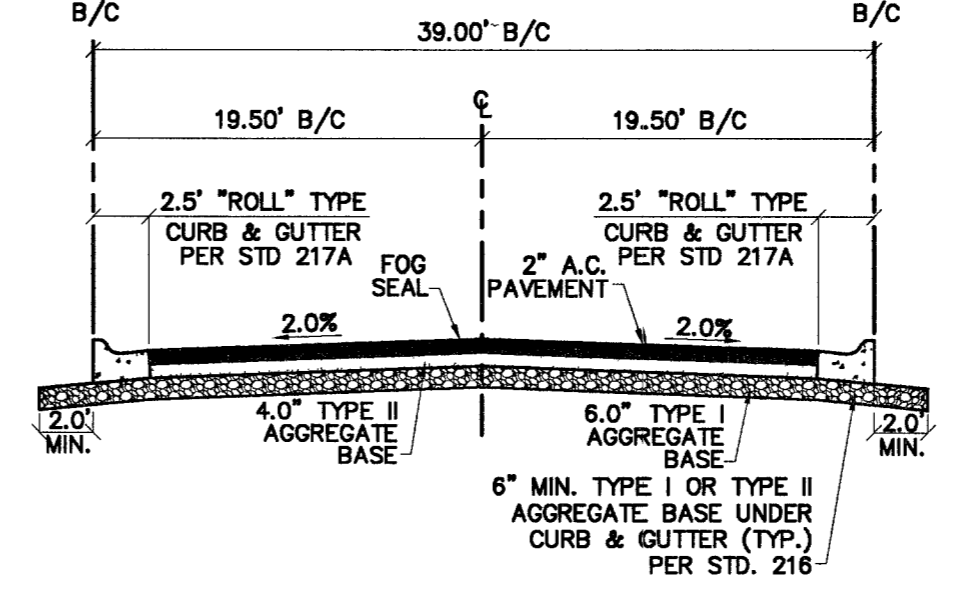


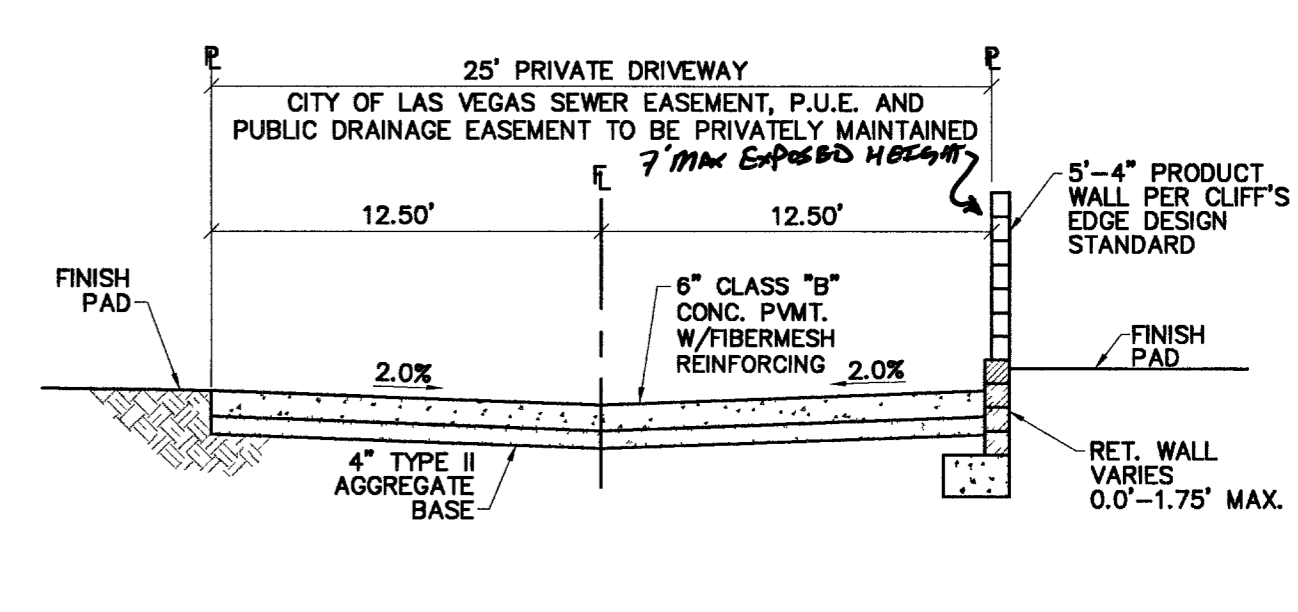
A EXISTING TYPICAL STREET SECTION 80' ROW DORRELL LANE
N.T.S. (PUBLIC STREET)



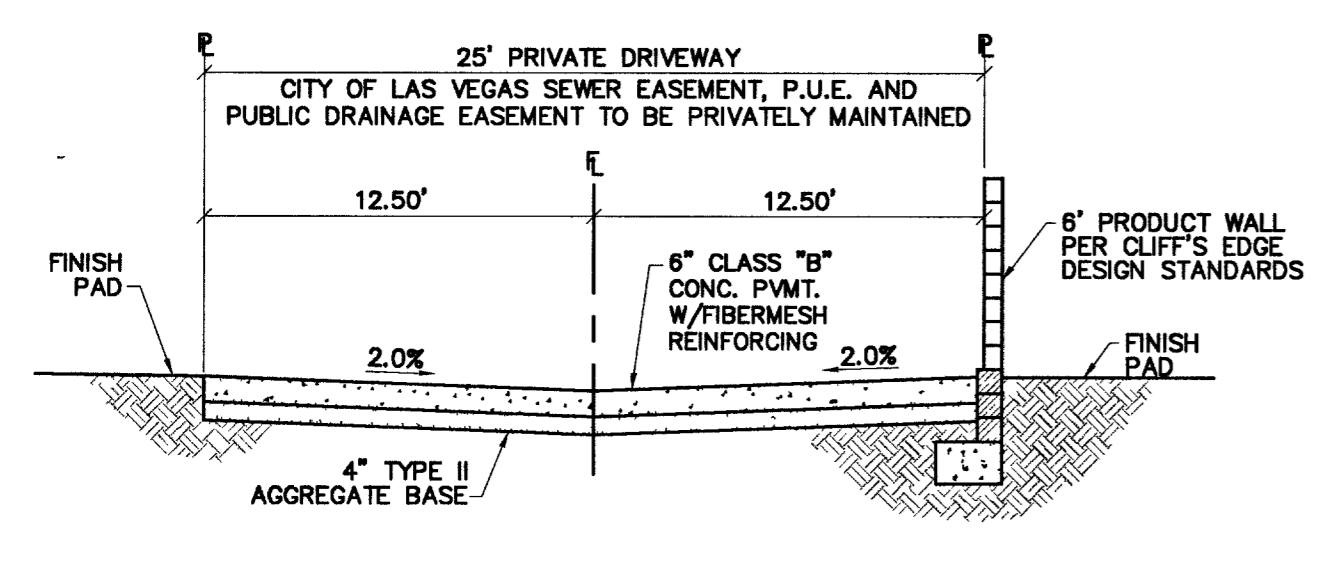
B 62' ENTRY STREET SECTION KENSINGTON COVE STREET
N.T.S. (PRIVATE STREET)



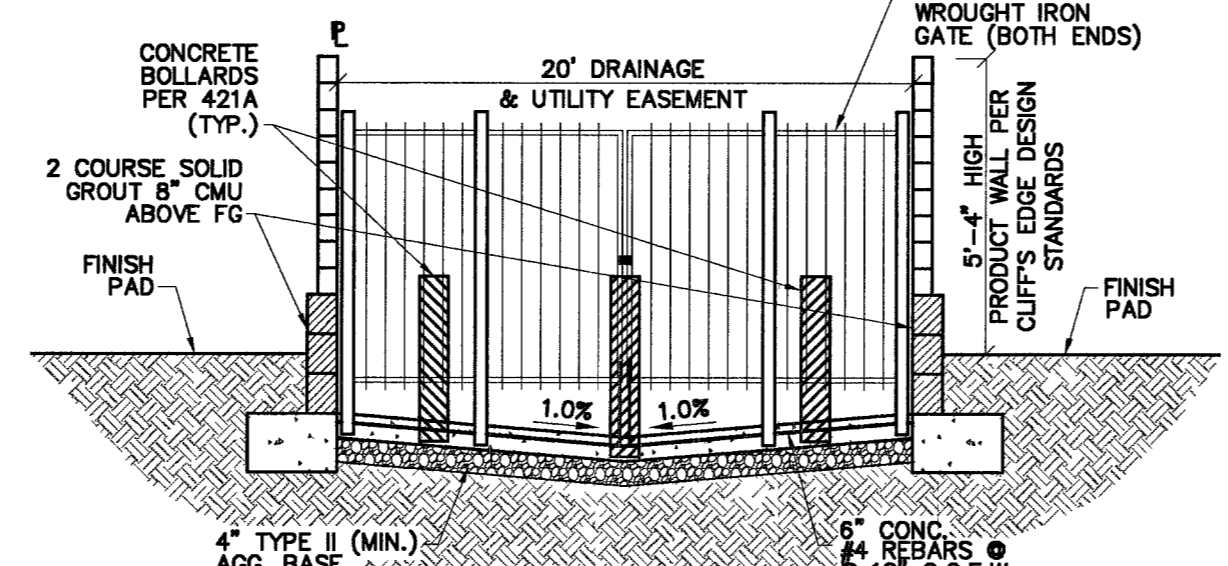
C 39' PRIVATE STREET SECTION
N.T.S. (PRIVATE STREET)



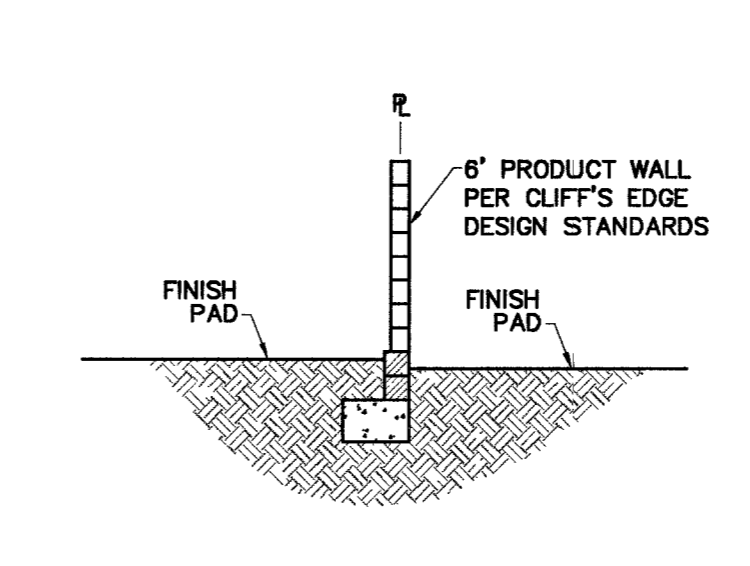
D 25' PRIVATE DRIVE SECTION
N.T.S. (PRIVATE STREET)



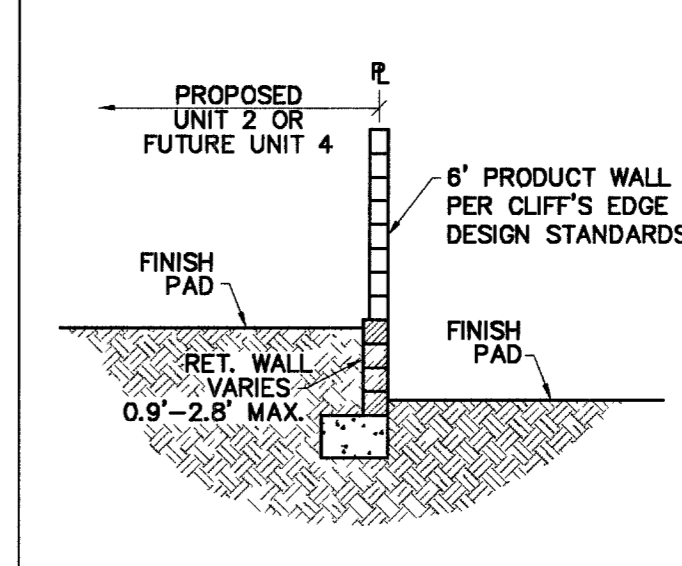
E 25' PRIVATE DRIVE SECTION
N.T.S. (PRIVATE STREET)



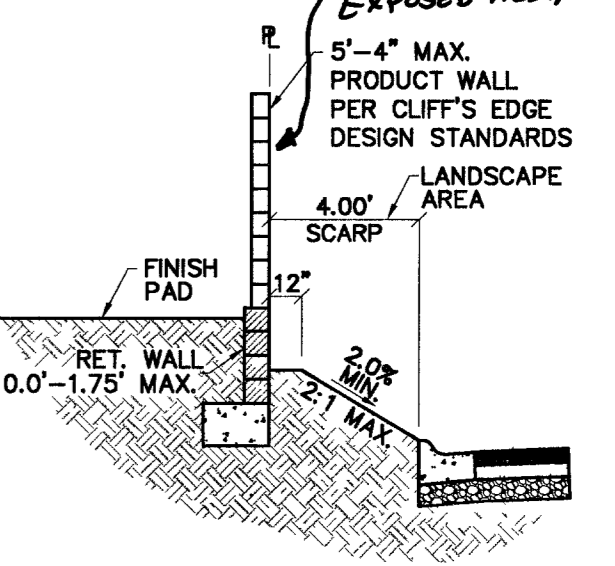
F 20' PUBLIC SEWER AND DRAINAGE EASEMENT
TO BE PRIVATELY MAINTAINED BY HOA
N.T.S.



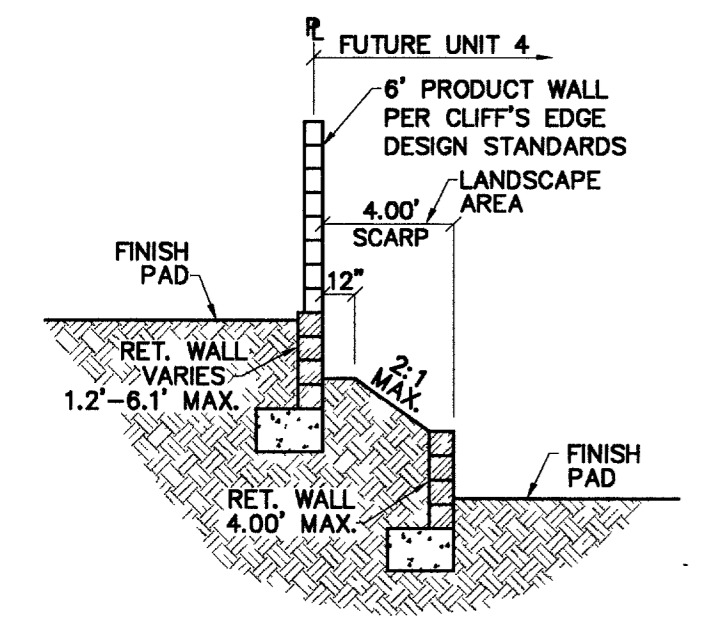
G INTERIOR WALL SECTION
N.T.S.



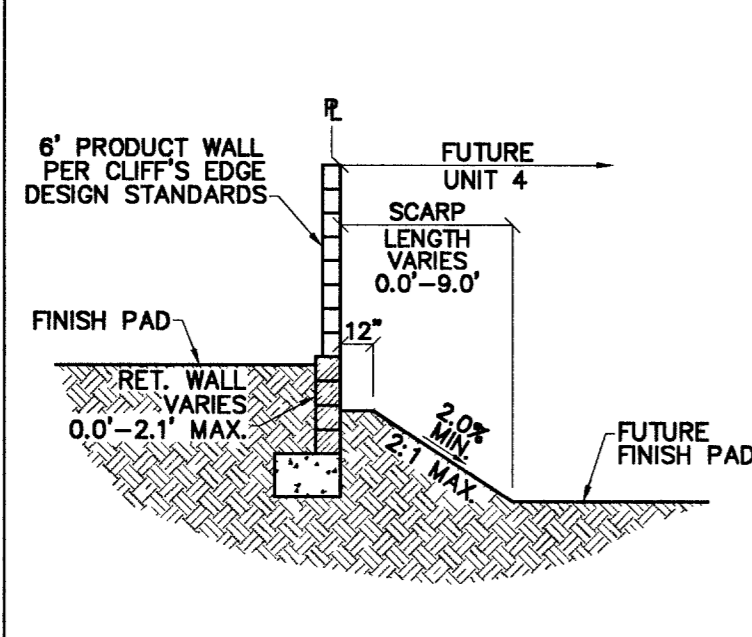
H INTERIOR WALL SECTION
N.T.S.



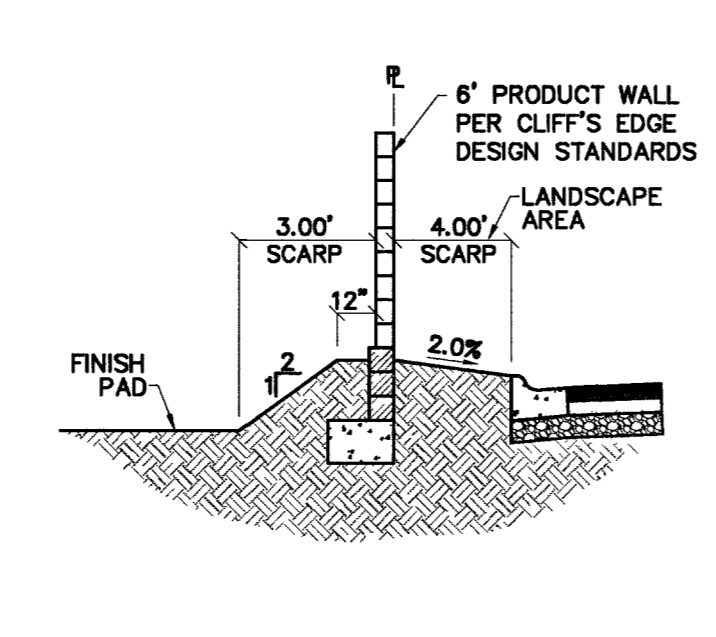
I INTERIOR WALL SECTION
N.T.S. (PRIVATE STREET)



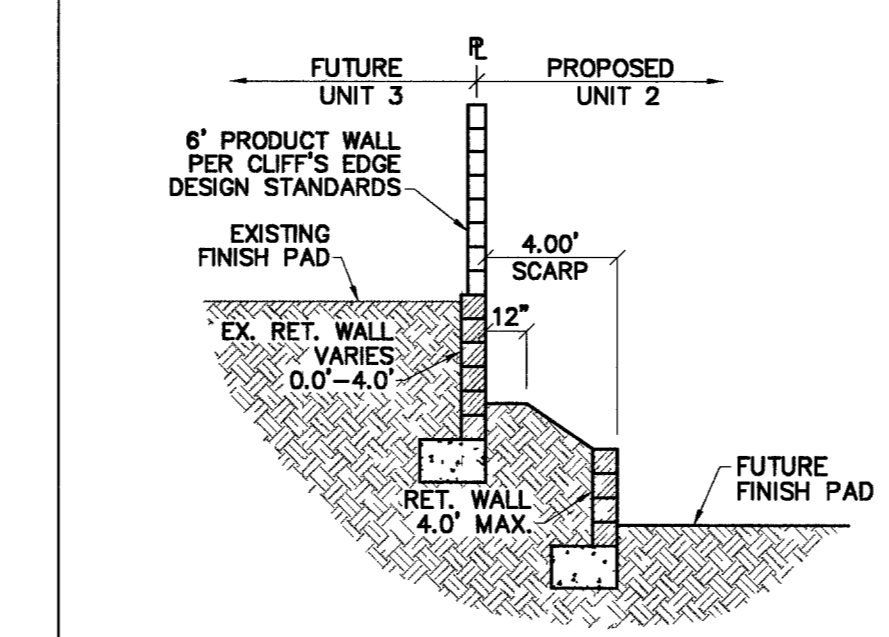
J INTERIOR WALL SECTION
N.T.S.



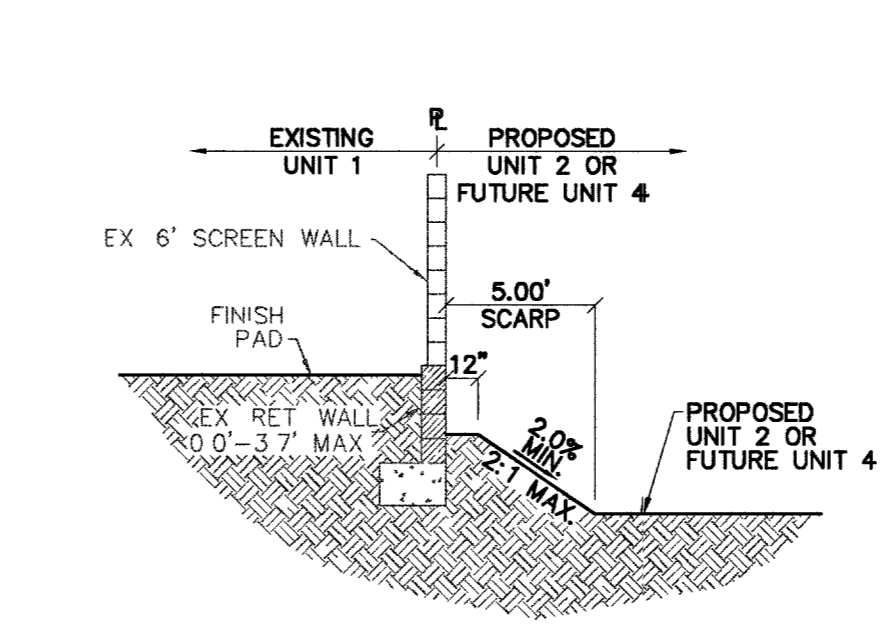
K INTERIOR WALL SECTION
N.T.S.



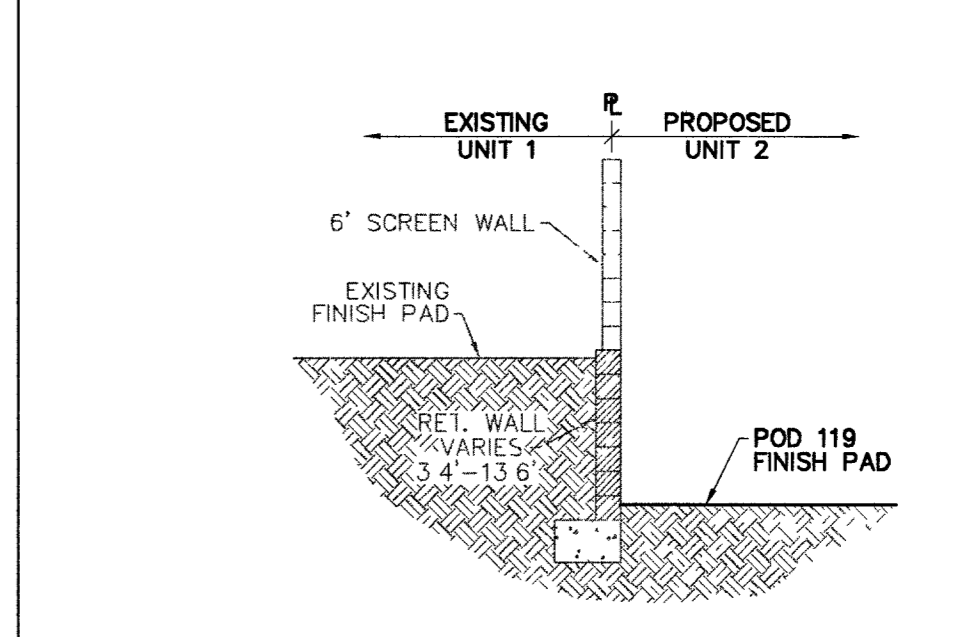
L INTERIOR WALL SECTION
N.T.S. (PRIVATE STREET)



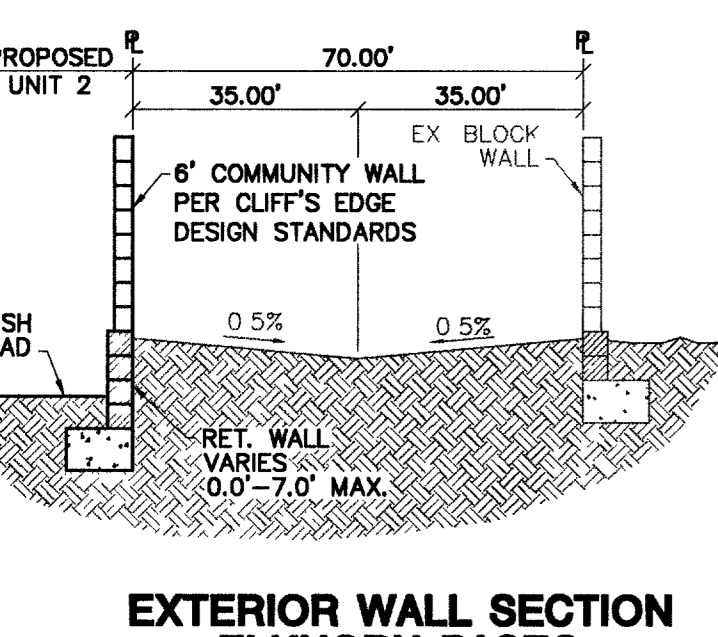
M EXTERIOR WALL SECTION
N.T.S.



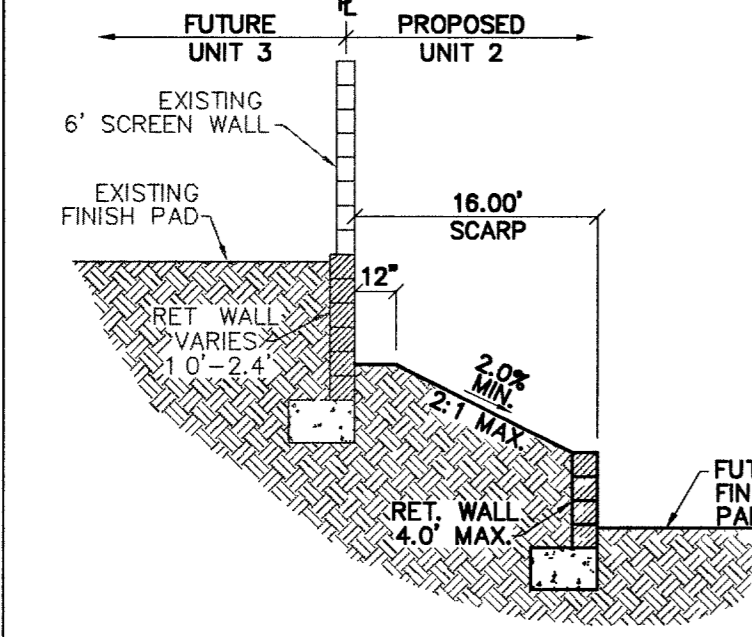
N EXTERIOR WALL SECTION
N.T.S.



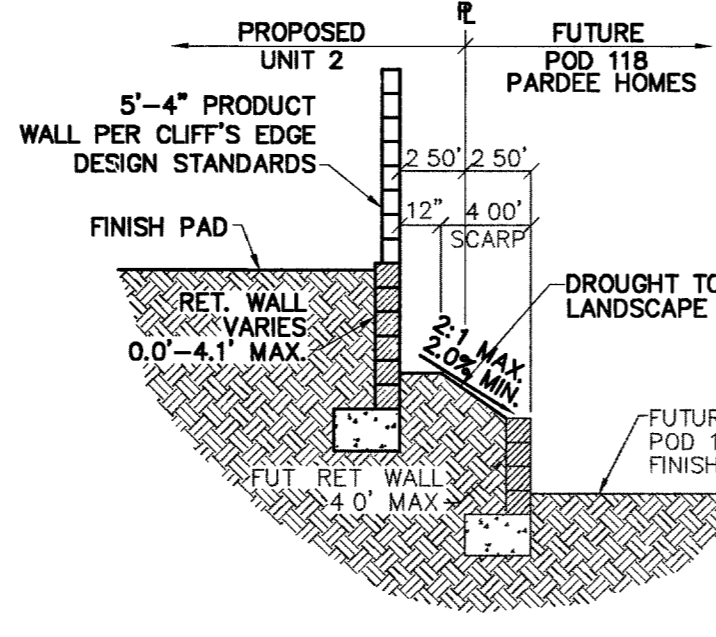
O EXTERIOR WALL SECTION
N.T.S.



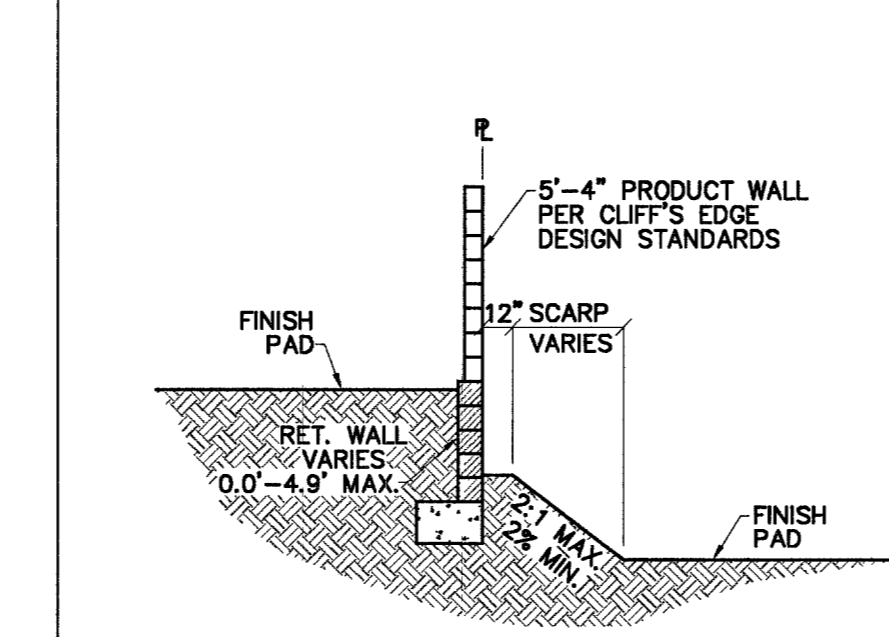
P EXTERIOR WALL SECTION ELKHORN PASEO (BY OTHERS)
N.T.S.



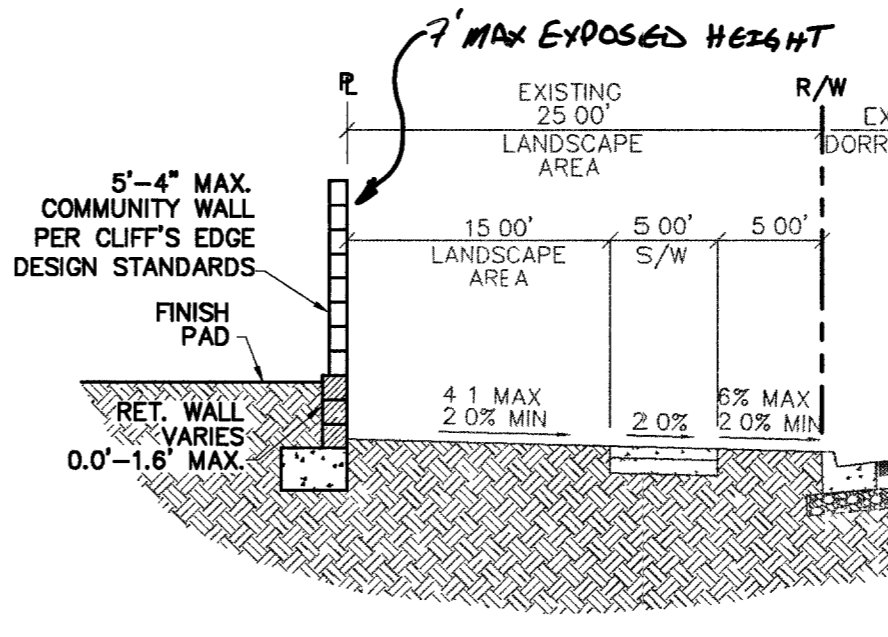
Q EXTERIOR WALL SECTION
N.T.S.



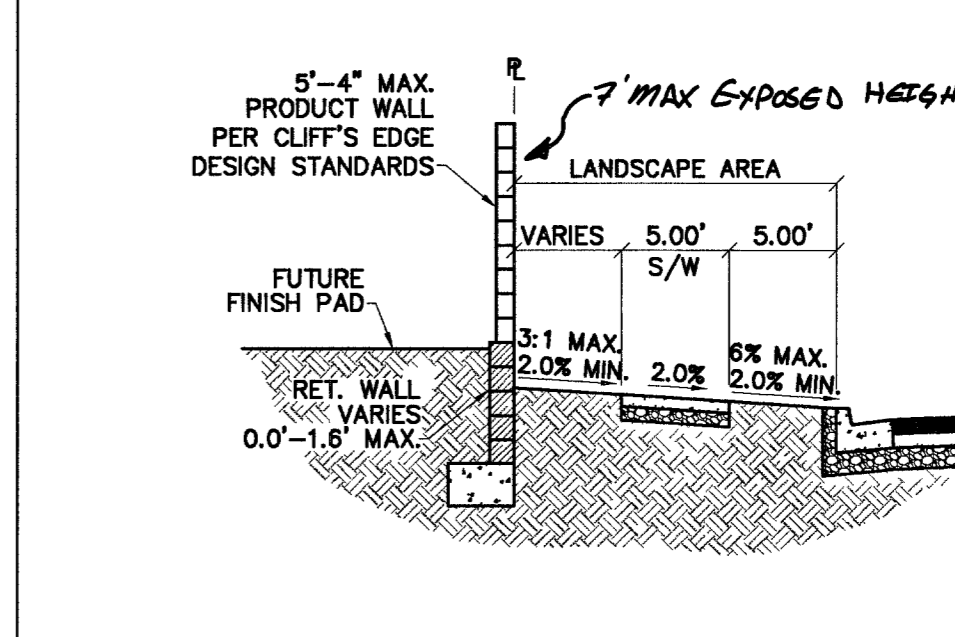
R EXTERIOR WALL SECTION
N.T.S.



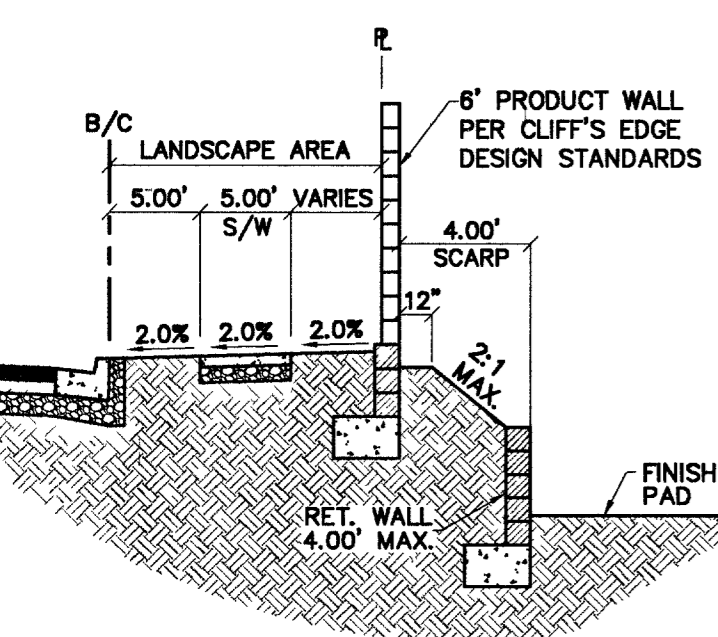
S INTERIOR WALL SECTION
N.T.S.



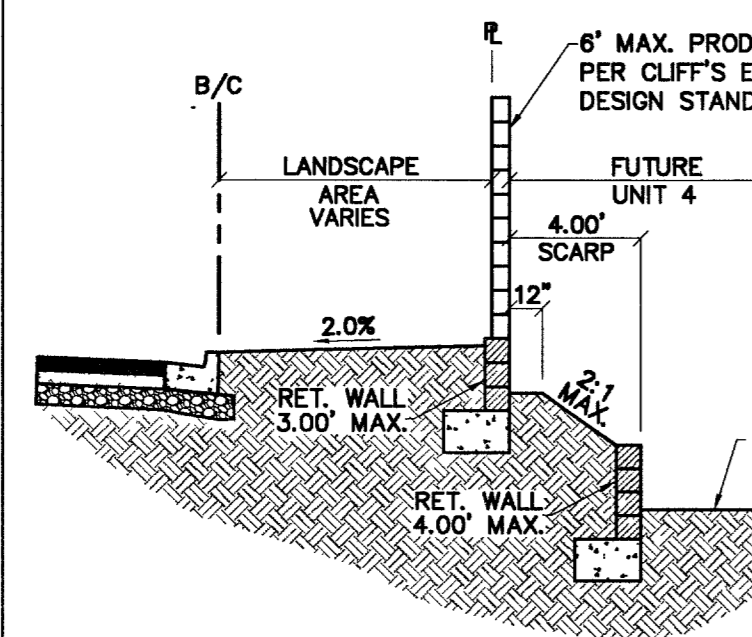
T EXTERIOR WALL SECTION DORRELL LANE
N.T.S. (PUBLIC STREET)



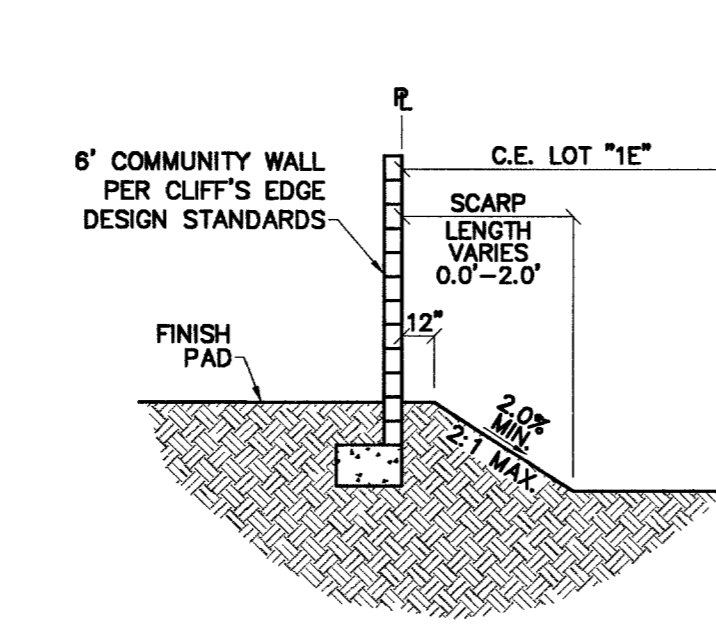
U INTERIOR WALL SECTION 62' ENTRY STREET
N.T.S.



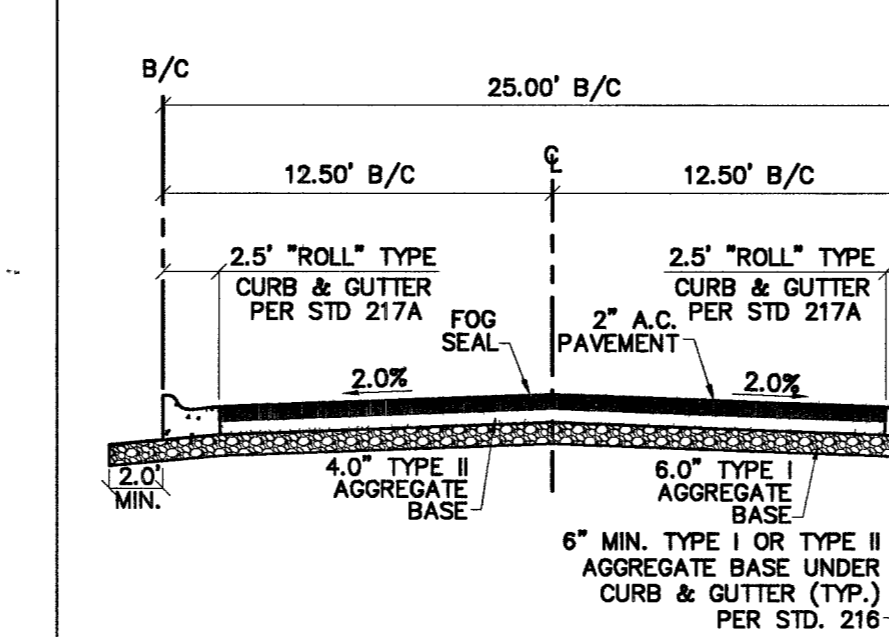
V INTERIOR WALL SECTION 62' ENTRY STREET
N.T.S.



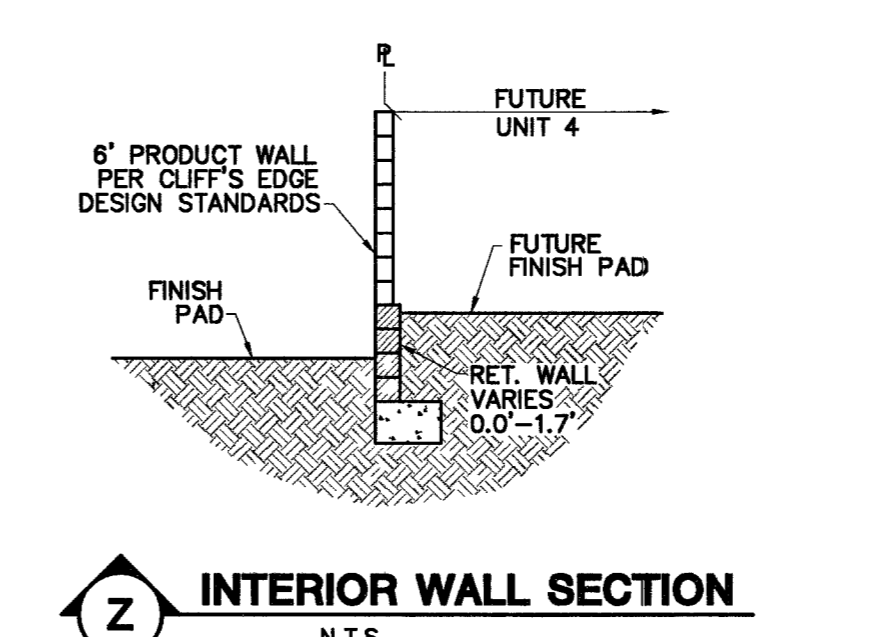
W INTERIOR WALL SECTION
N.T.S.



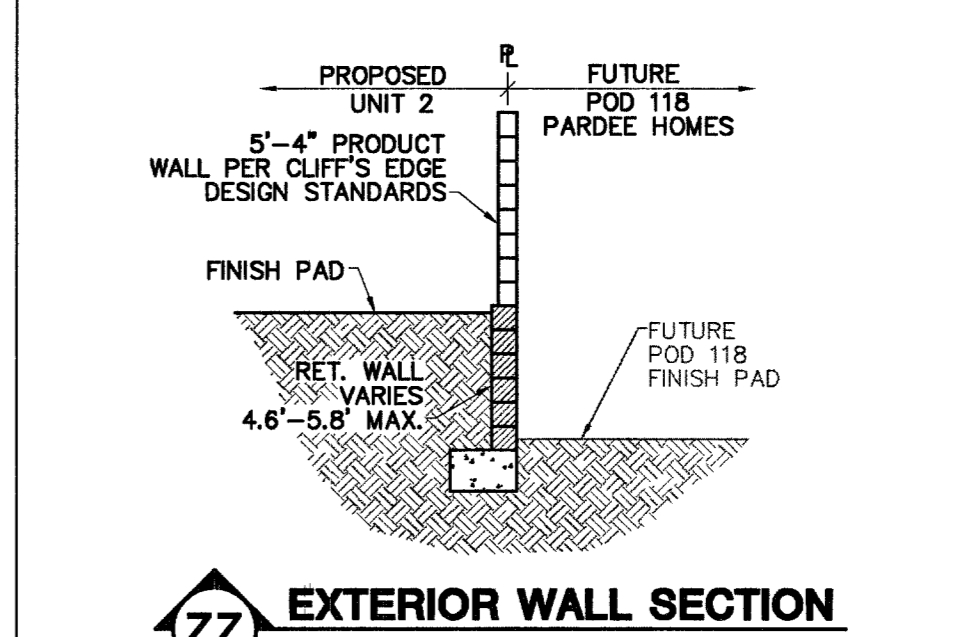
X EXTERIOR WALL SECTION
N.T.S.



Y 25' PRIVATE STREET SECTION
N.T.S. (PRIVATE STREET)



Z INTERIOR WALL SECTION
N.T.S.



ZZ EXTERIOR WALL SECTION
N.T.S.

* BOTTOM FIVE COURSES - 6\"/>

REVISION	BY	DATE
7		
6		
5		
4		
3		
2		
1		

CITY OF LAS VEGAS
2727 SOUTH RAINBOW BOULEVARD LAS VEGAS, NEVADA 89146-5148
PH. (702) 873-7550 FAX (702) 362-2597

KIMBALL HILL
8 SALLIS WAY SUITE 101
HENNINGSON, NEVADA 89014
(702) 436-4582

nevada
CONSULTING ENGINEERS • PLANNERS • LAND SURVEYORS

SECTION & DETAIL SHEET 1

BRIGHTON & KENSINGTON PROVIDENCE / CLIFFS EDGE UNIT 2

DRAWN BY:	2/25/05
DESIGNED BY:	2/25/05
CHECKED BY:	2/25/05
PROJECT NO:	N/A
SCALE:	N/A
HORIZ.:	N/A
VERT.:	N/A

EXPIRES 06-30-07

PROFESSIONAL ENGINEER STATE OF NEVADA
CHRISTOPHER P. GRUBER
13956
11/18/05

SHEET
DT1
16 OF 52 SHEETS
DRAWING NO.
10744890-2