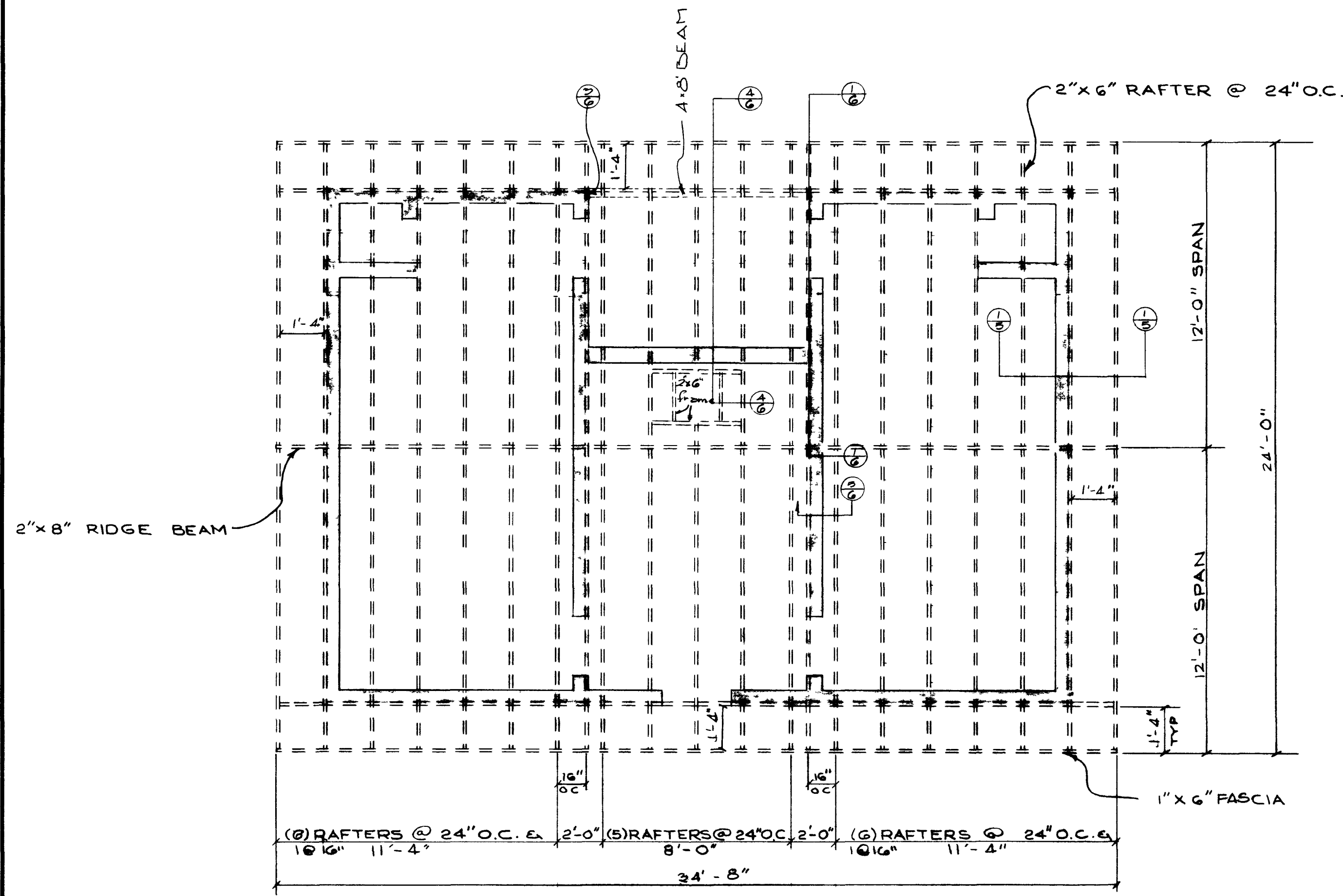
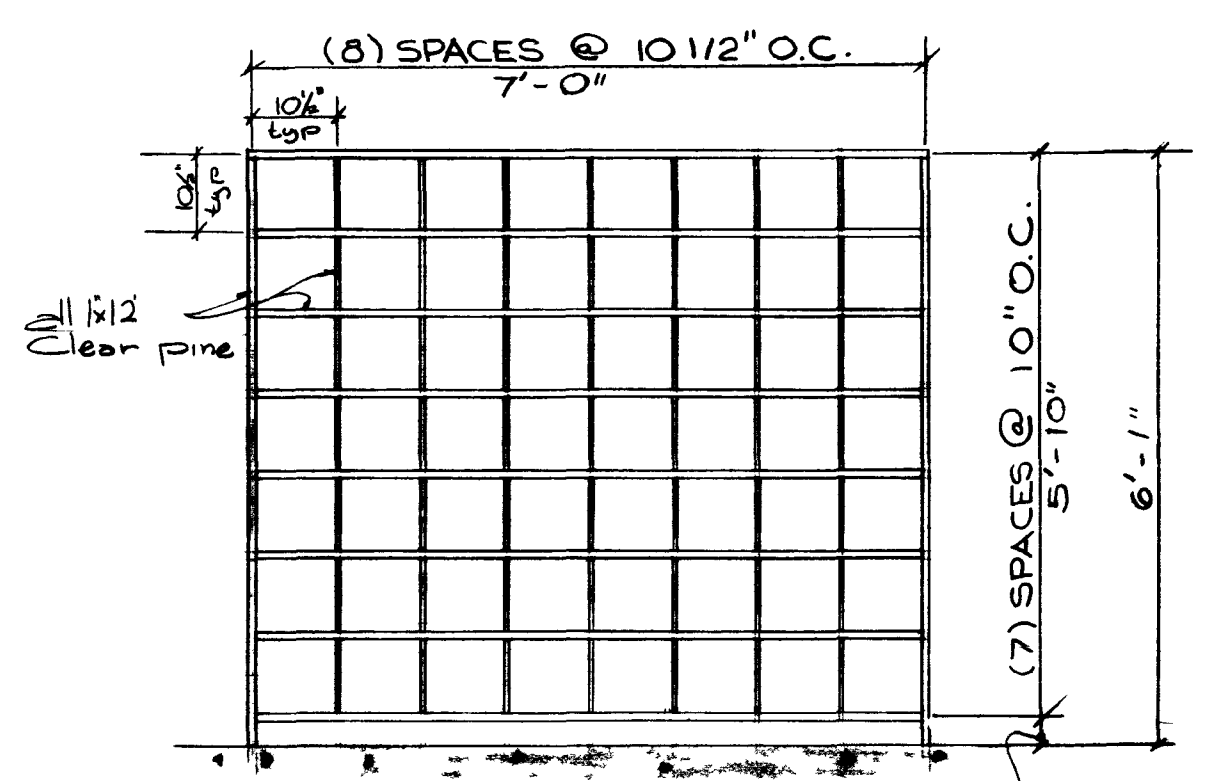


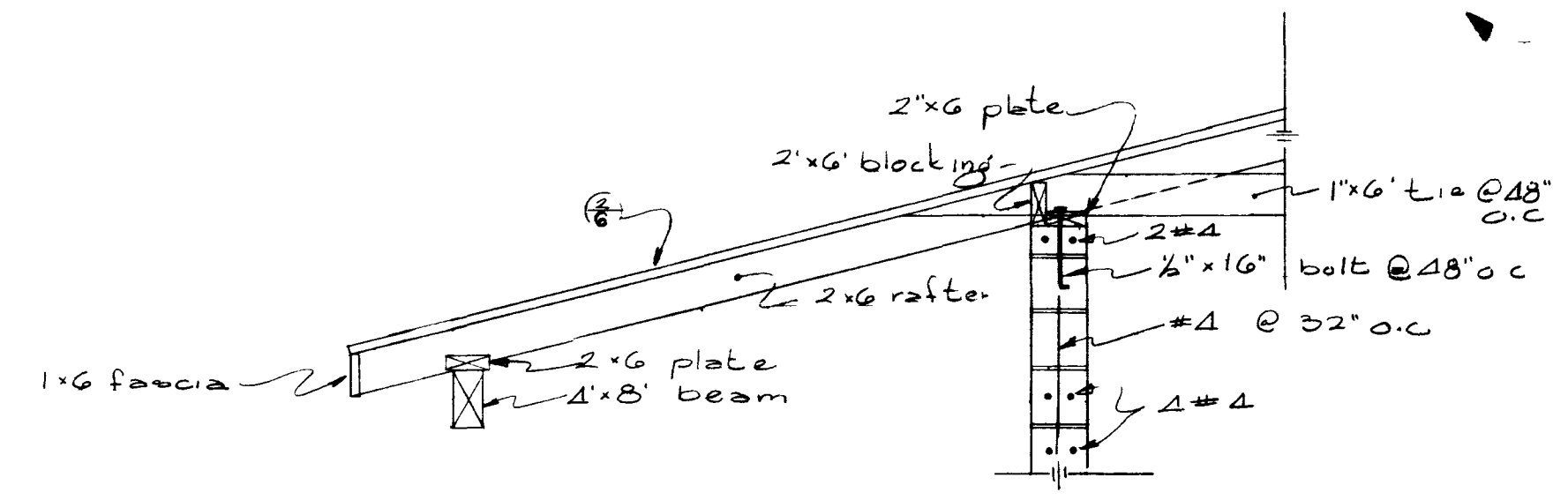
243-14



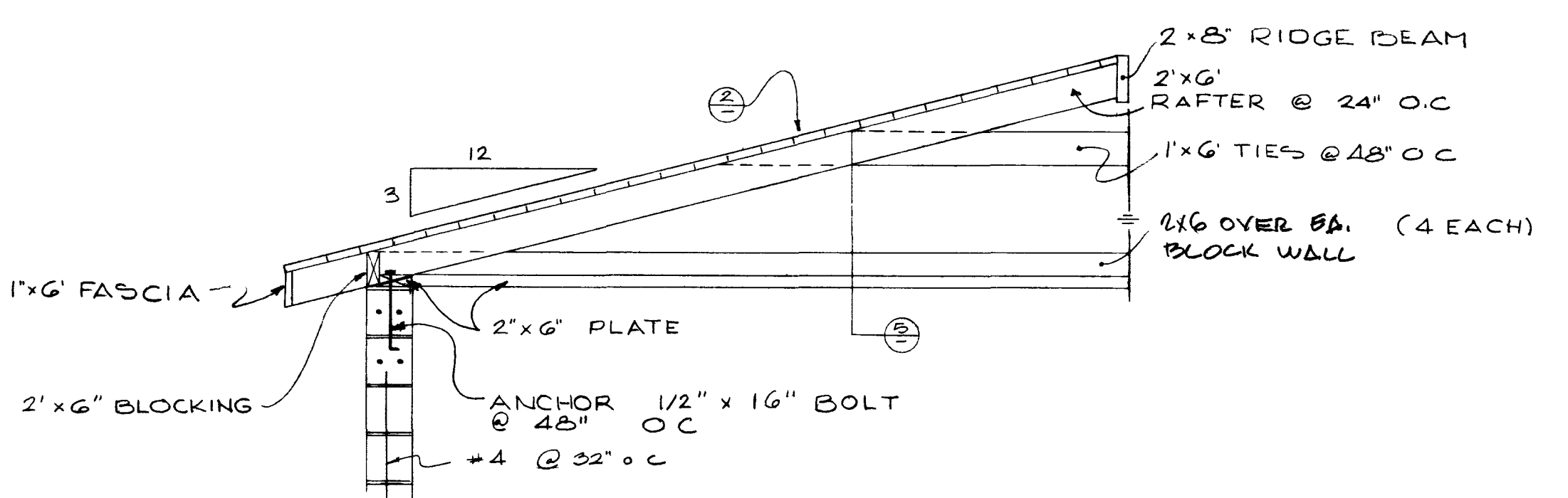
ROOF FRAMING PLAN
SCALE: 1/4" = 1'-0"



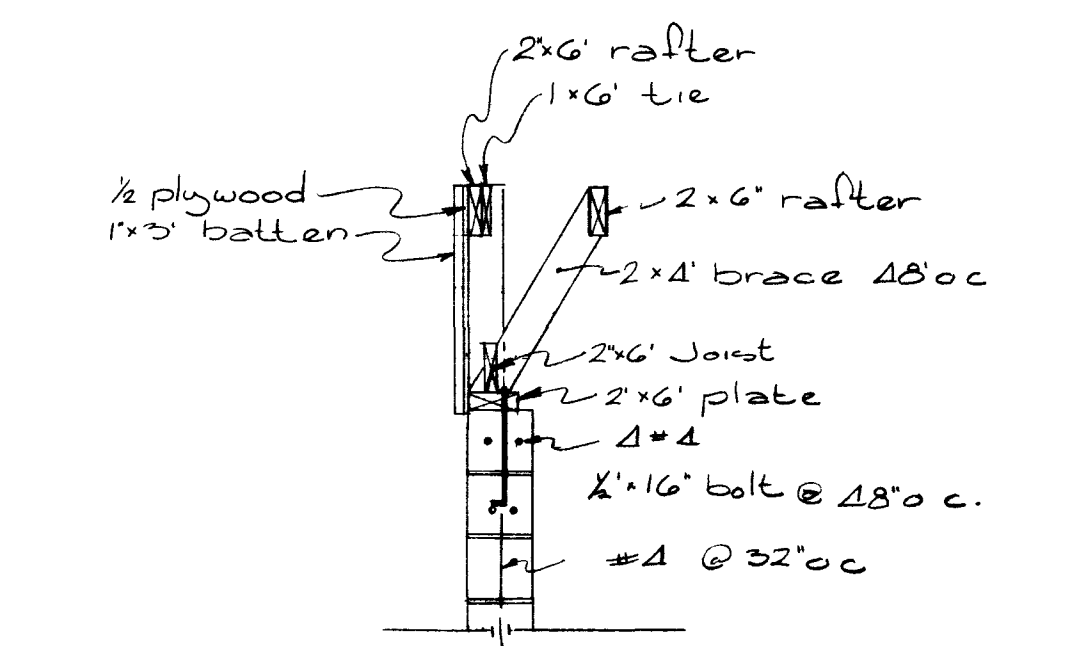
BASKET LOCKER DETAIL



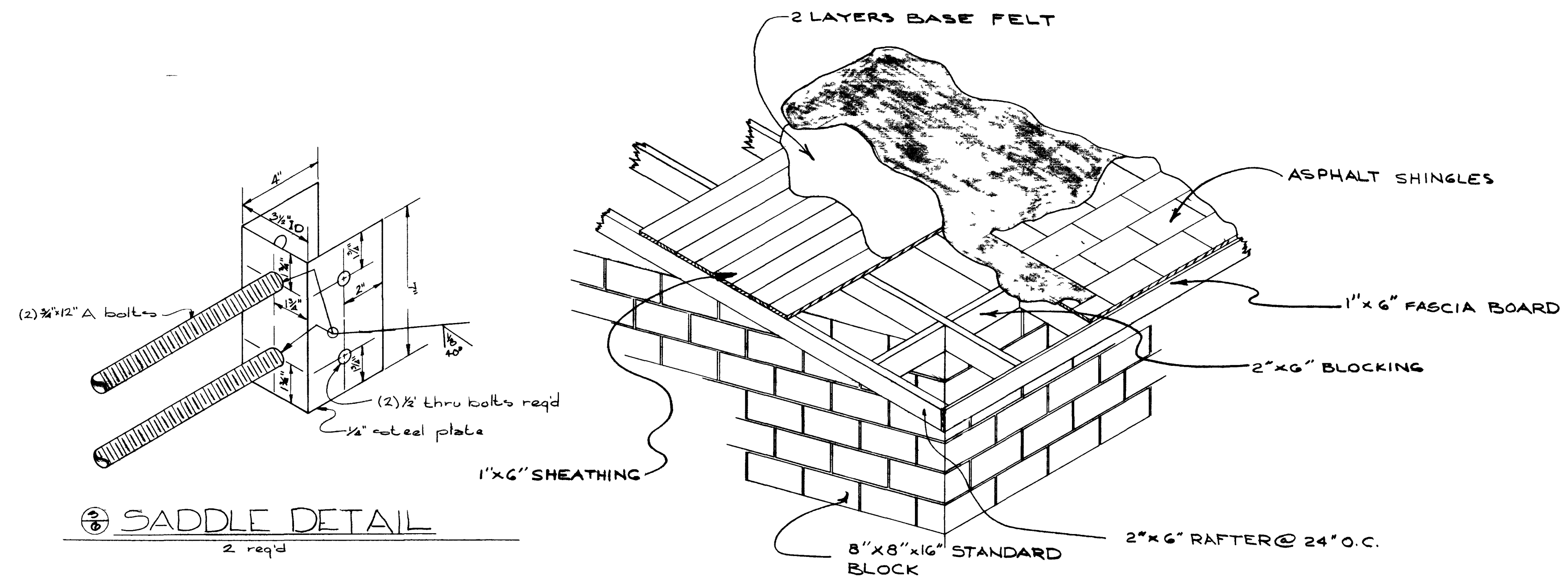
ROOF DETAIL
SCALE 1/2" = 1'



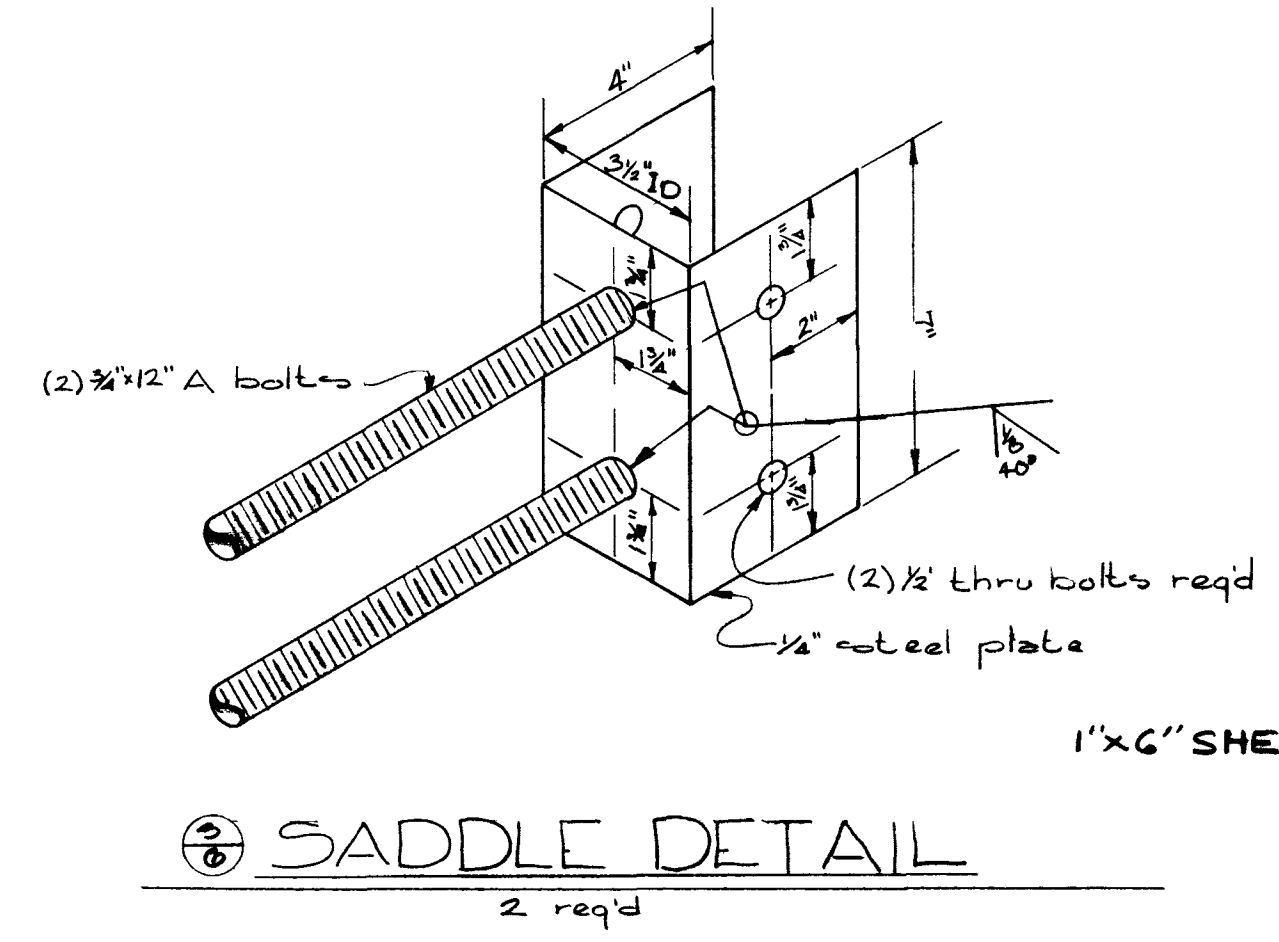
ROOF DETAIL
SCALE: 1/2" = 1'-0"



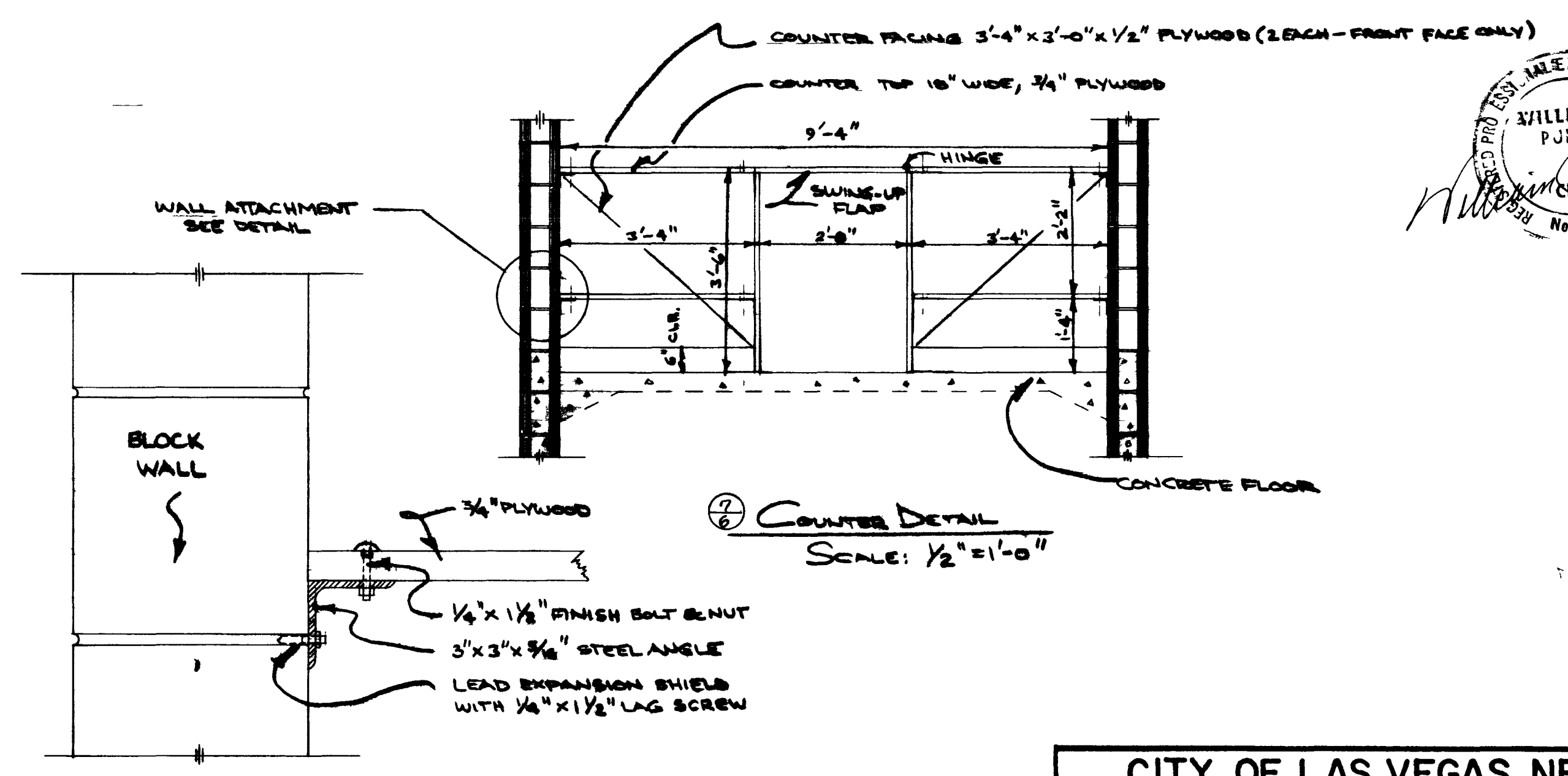
ROOF DETAIL



ROOFING DETAIL

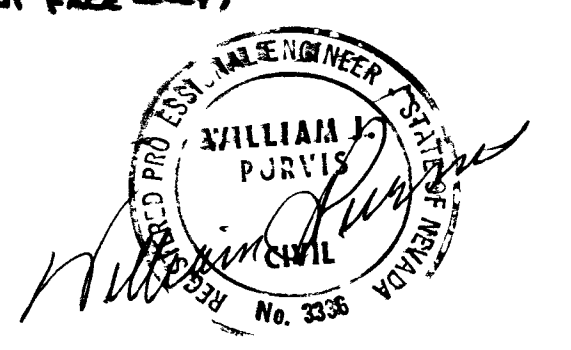


SADDLE DETAIL
2 req'd



WALL ATTACHMENT DETAIL
SCALE 3" = 1'-0"

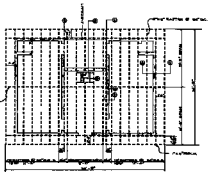
COUNTER DETAIL
SCALE: 1/2" = 1'-0"



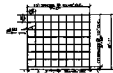
CITY OF LAS VEGAS NEVADA			
DEPARTMENT OF PUBLIC WORKS			
SERVICES DIVISION			
"COVE" SWIMMING POOL			
BATH HOUSE ROOFING PLAN			
W.O. NO. 3128	FBK. NO.	DATE	DRAWING NO.
SC. (H) AS SHOWN	SC. (V) AS SHOWN	21 SEP. 73	674-17
DES. CARL P. MALONE		FILE NO.	
DR. E.W. WONG		APPROVED BY DIRECTOR OF PUBLIC WORKS	
MAY 10 1974		13 NOV 73	
			SHEET 6 OF 10

EXISTING UTILITIES ARE LOCATED ON THE PLANS FOR THE CONVEYANCE OF THE CITY ONLY. THE CONTRACTOR SHALL BE RESPONSIBLE FOR VERIFYING THE LOCATION AND DEPTH OF ALL UTILITIES AND THE CITY BEARS NO RESPONSIBILITY FOR UTILITIES NOT SHOWN ON THE PLANS OR NOT IN THE LOCATION SHOWN ON THE PLANS.

CONTRACT DRAWING
MAY 10 1974



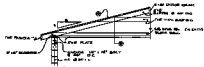
ROOF FRAMING PLAN



BRACKET LOCKER DETAIL



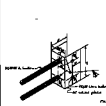
ROOF DETAIL



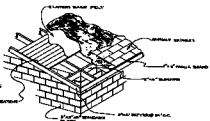
ROOF DETAIL



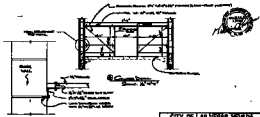
ROOF DETAIL



SADDLE DETAIL



ROOSTING DETAIL



STRUCTURAL DETAIL

CITY OF LAS VEGAS NEVADA
 DEPARTMENT OF PUBLIC WORKS
 DIVISION OF PUBLIC WORKS
 2000 S. LAS VEGAS BLVD., SUITE 200
 LAS VEGAS, NEVADA 89102
 (702) 739-2000
 WWW.LASVEGASNEVADA.GOV

PROJECT NO.	DATE
DRAWN BY	CHECKED BY
SCALE	DATE

NOT TO SCALE
 ALL DIMENSIONS ARE IN FEET AND INCHES
 UNLESS OTHERWISE SPECIFIED
 1/4" = 1'-0"

NOTICE
 THIS DRAWING IS THE PROPERTY OF THE CITY OF LAS VEGAS NEVADA
 AND IS TO BE USED ONLY FOR THE PROJECT AND SITE SPECIFICALLY IDENTIFIED
 HEREON. IT IS NOT TO BE REPRODUCED, COPIED, OR TRANSMITTED IN ANY FORM OR BY ANY MEANS
 WITHOUT THE WRITTEN PERMISSION OF THE CITY OF LAS VEGAS NEVADA.