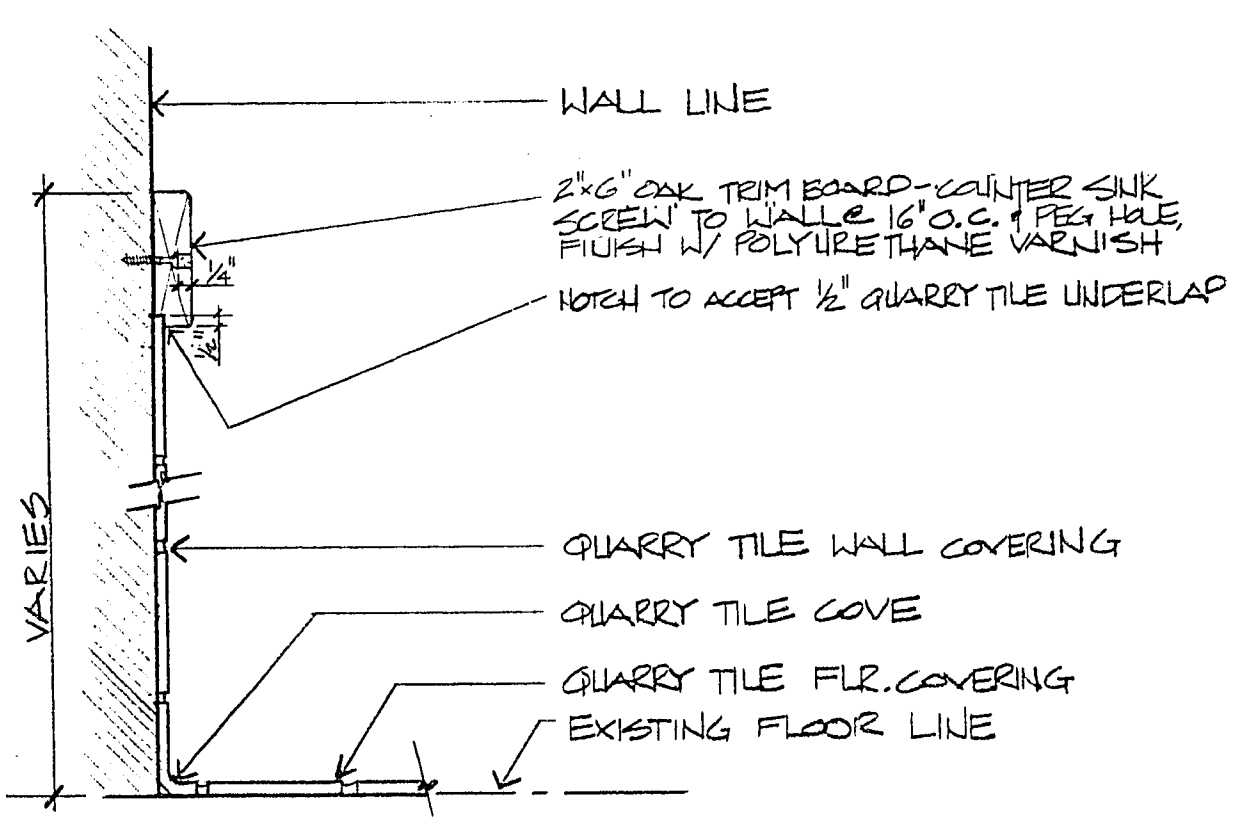
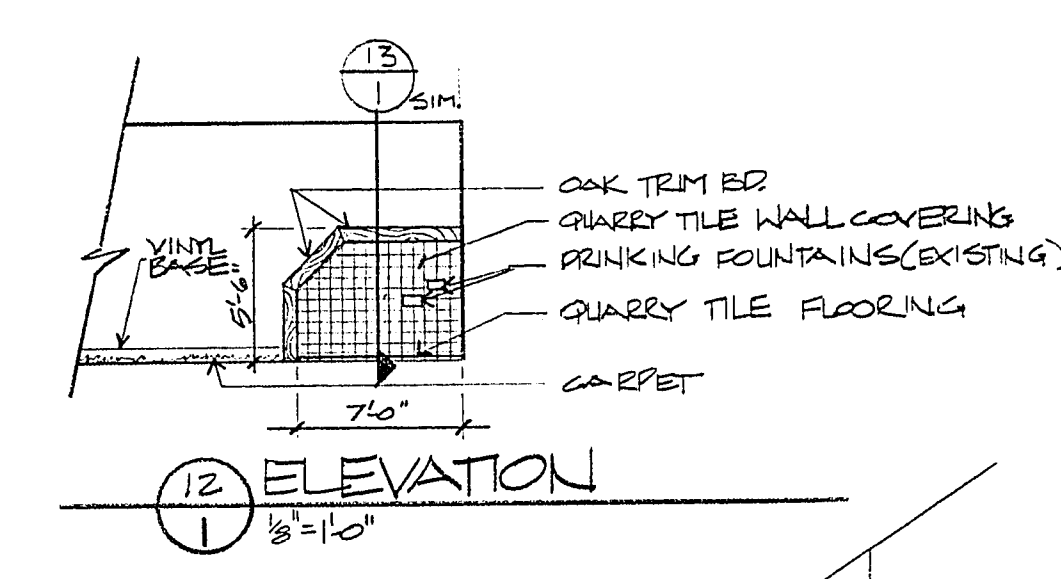
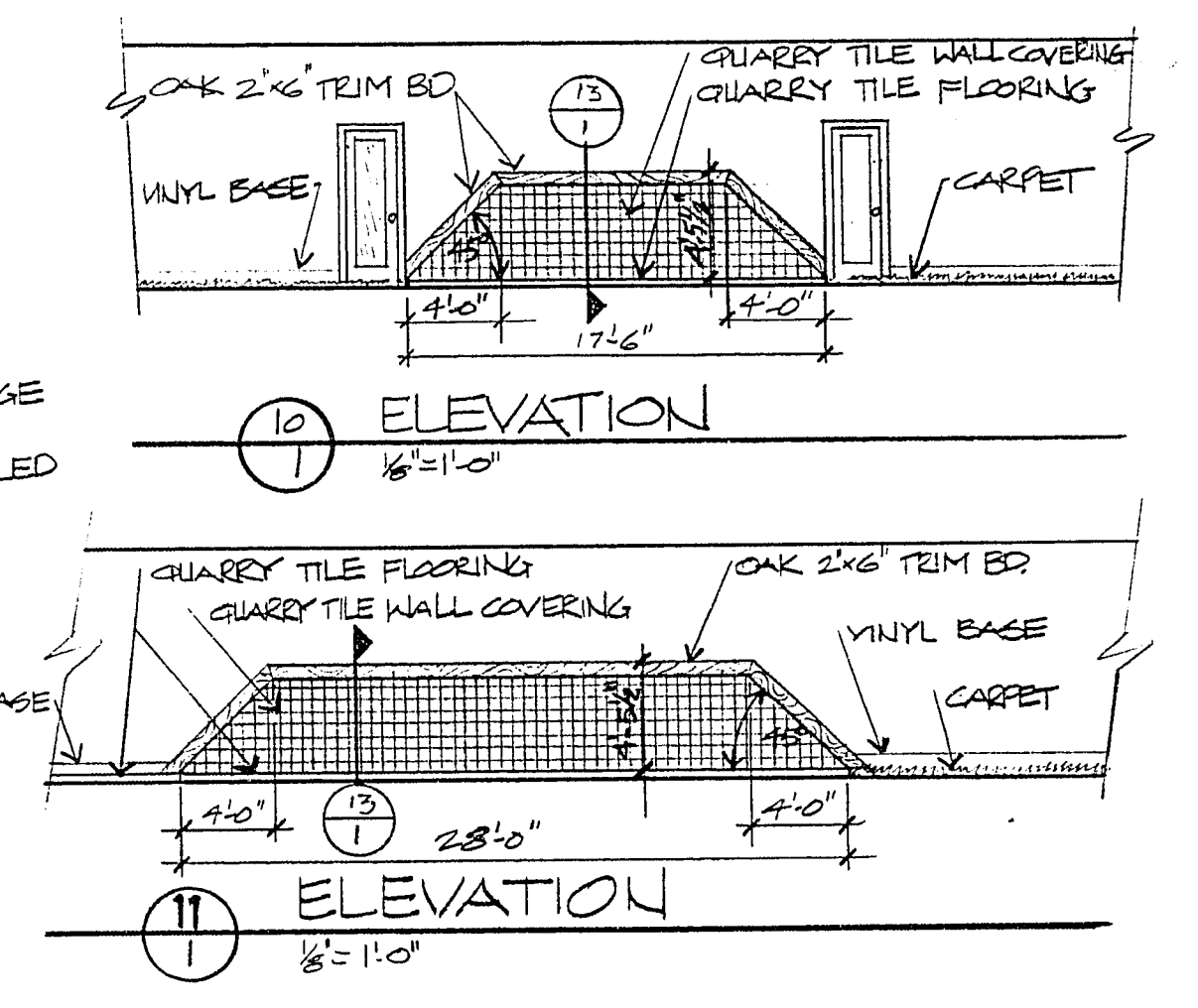
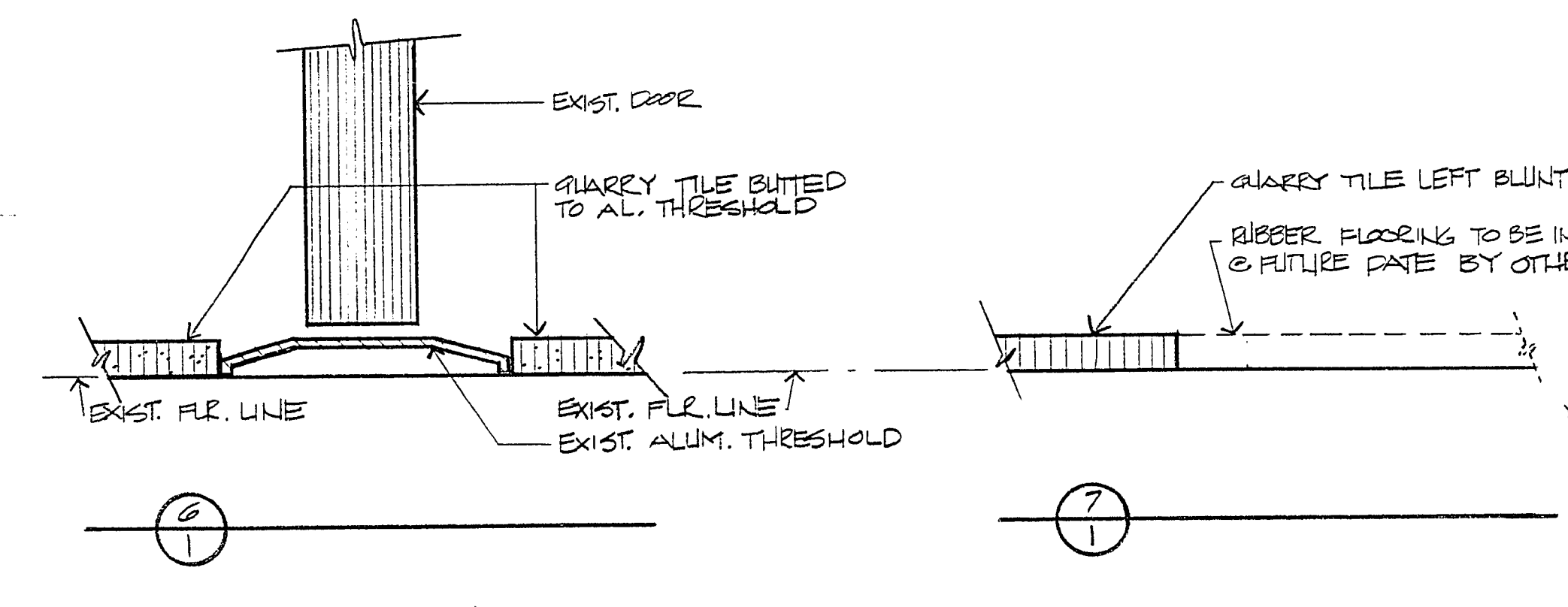
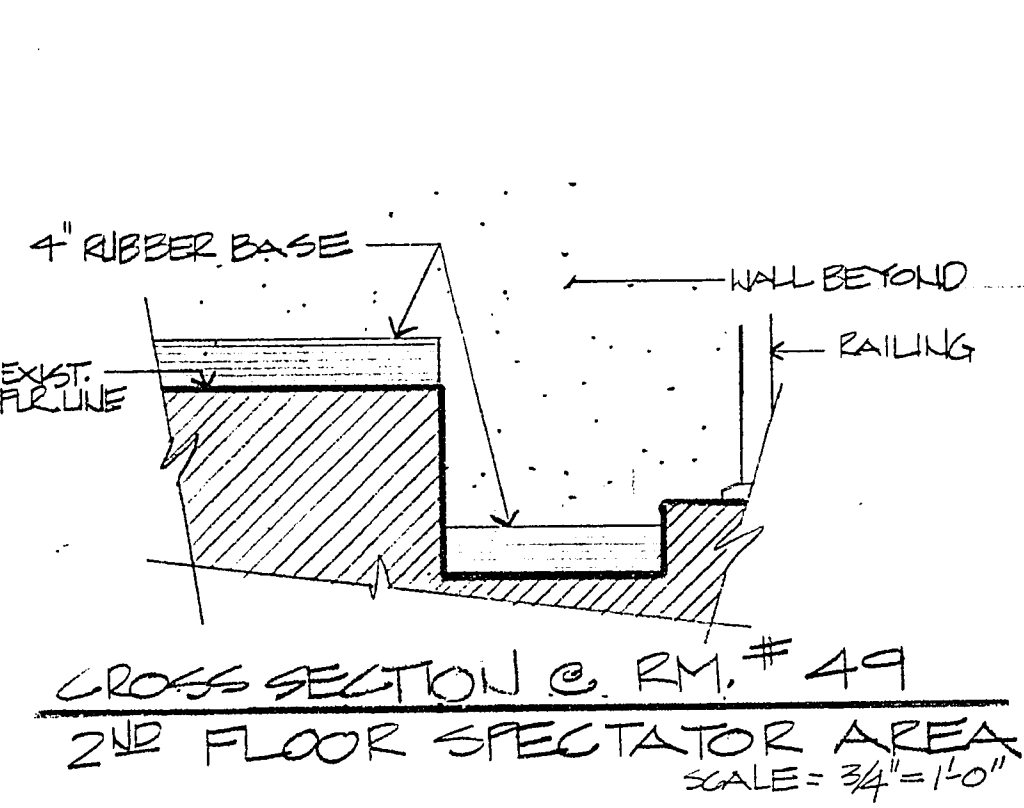
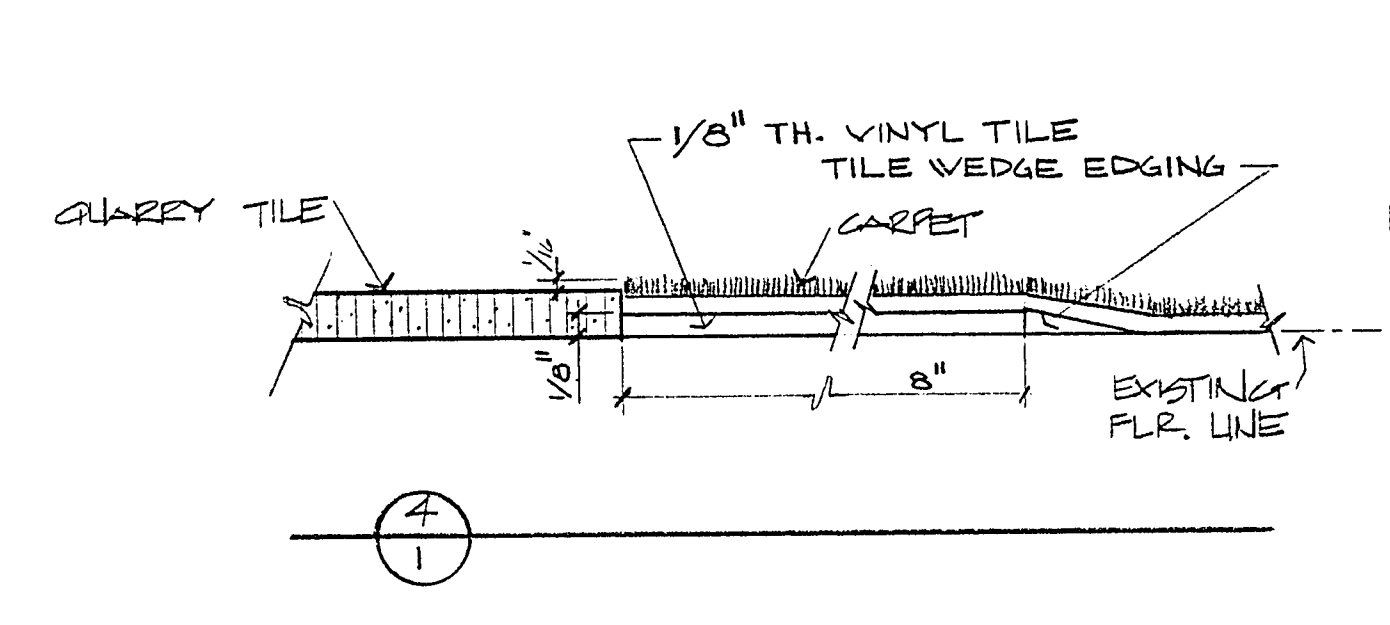
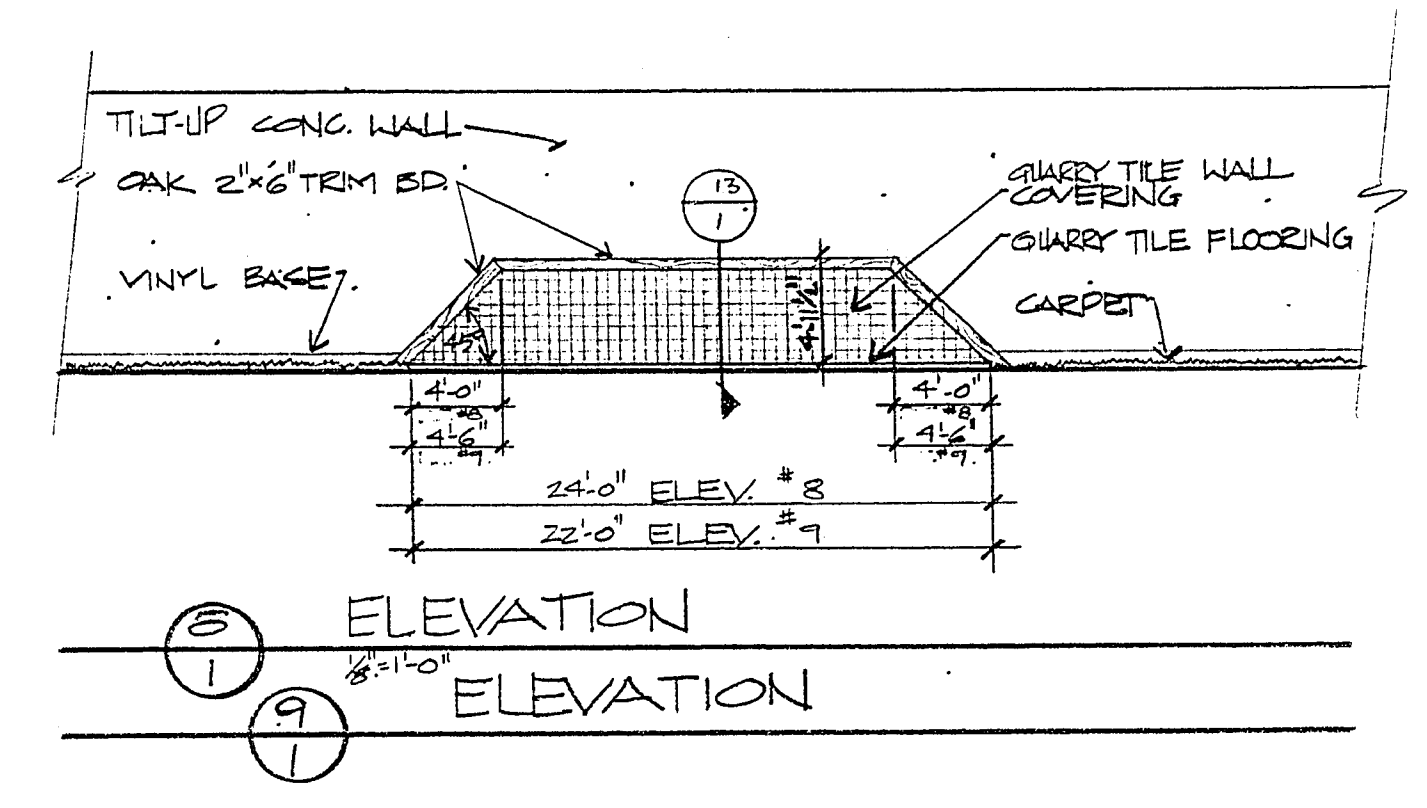
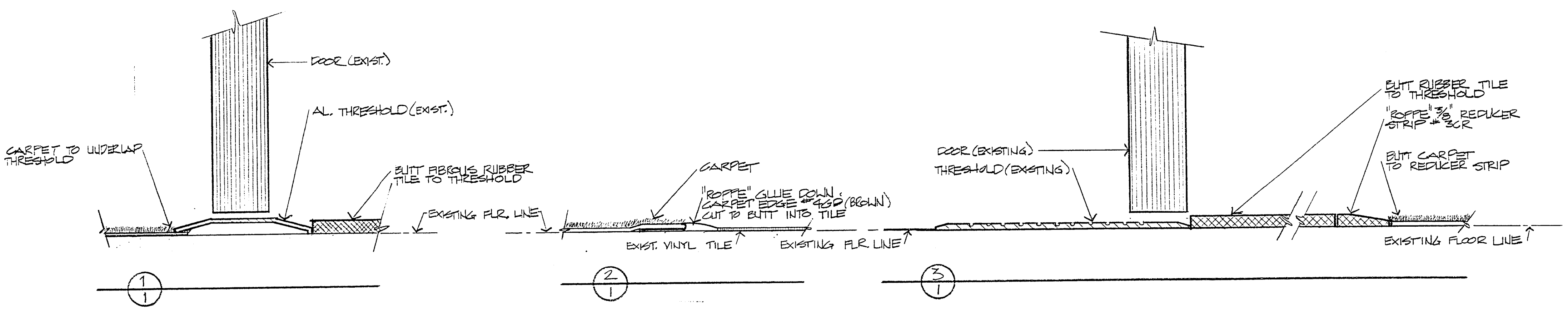


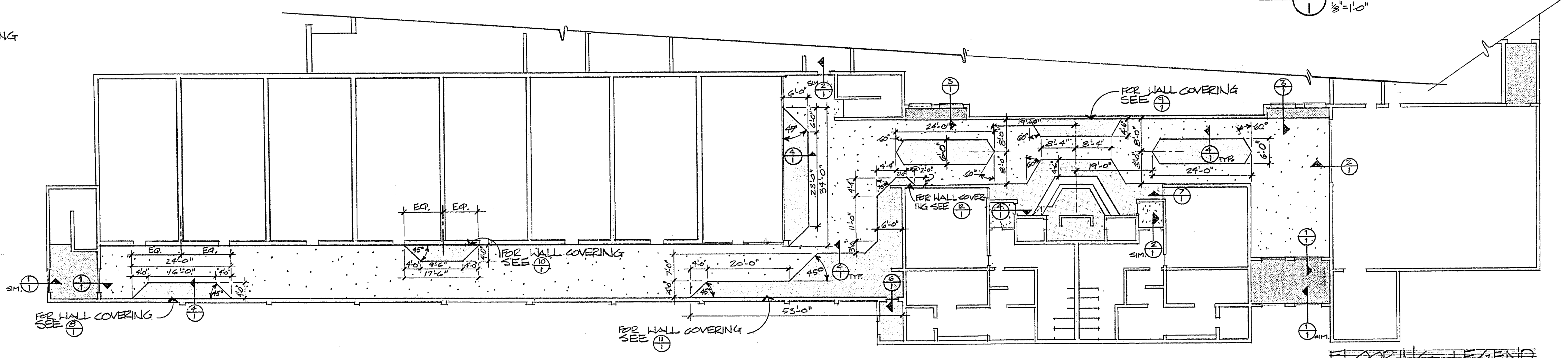
City of Las Vegas, Nevada
Office of Architectural Services and Project Control
 Don J. Saylor A.I.P. Deputy City Manager



FLOORING DETAILS

SECTION 13
 1 1/2" = 1'-0"

NOTES
 1. ALL RUBBER MOULDINGS TO BE BROWN COLOR
 2. TILE ADHESIVES TO BE AS PER MANUFACTURERS RECOMMENDATION



FLOORING LEGEND

[Pattern]	CARPET
[Pattern]	QUARRY TILE
[Pattern]	FIBRAIS RUBBER TILE

LOBBY & SPECTATOR AREA FLOORING PLAN

Chris J. Hanftel
 DATE: 8/2/79
 APPROVED BY: DEPT. OF RECREATION AND LEISURE ACTIVITIES

DESIGN BY: P.F. R.L.R. DATE: 7-79
 DRAWN BY: J.H. DATE: 7-79
 DIVISION: TECHNICAL SERVICES
 SCALE: AS SHOWN

