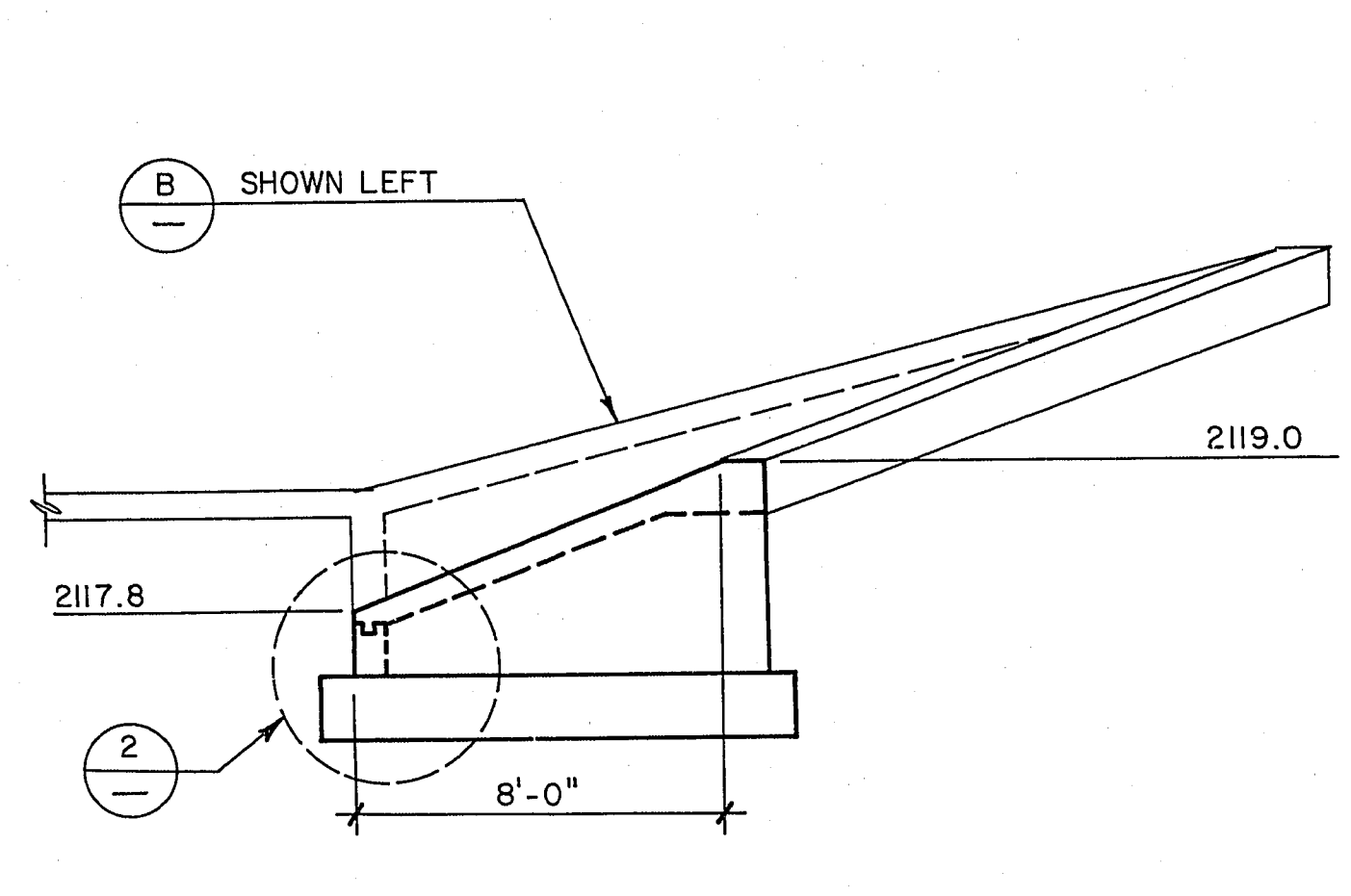
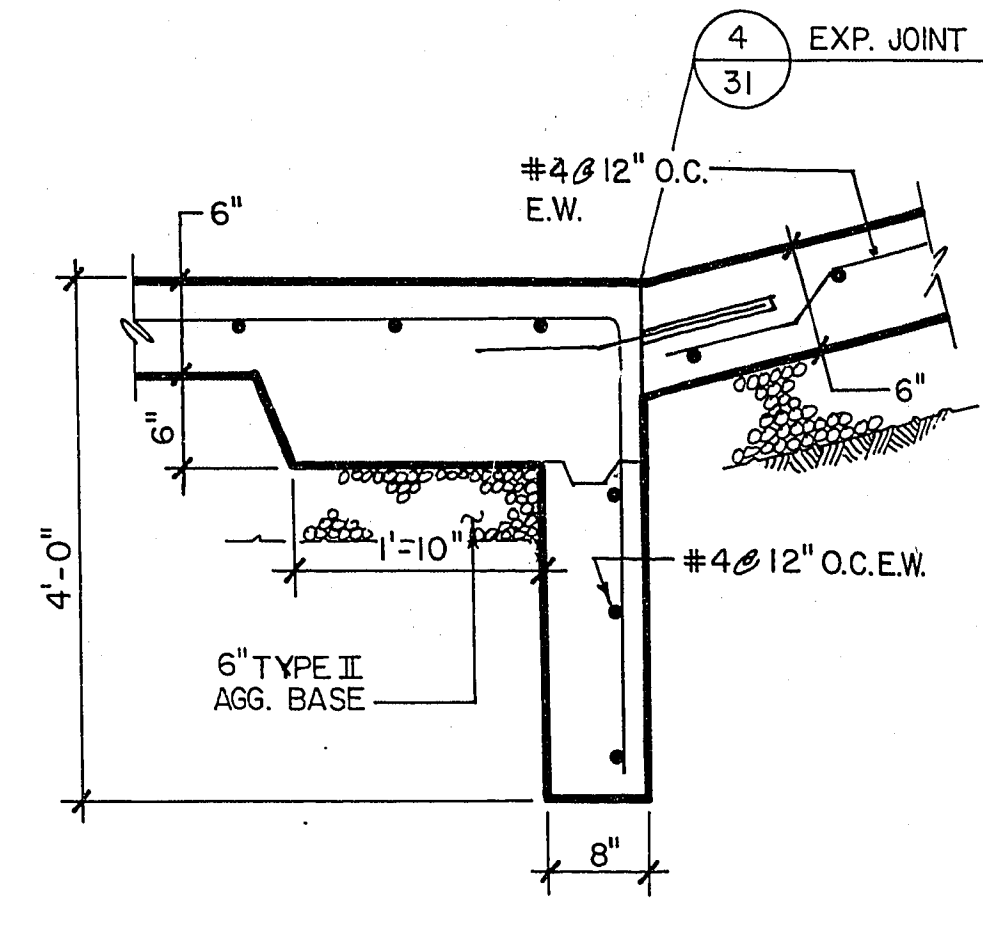


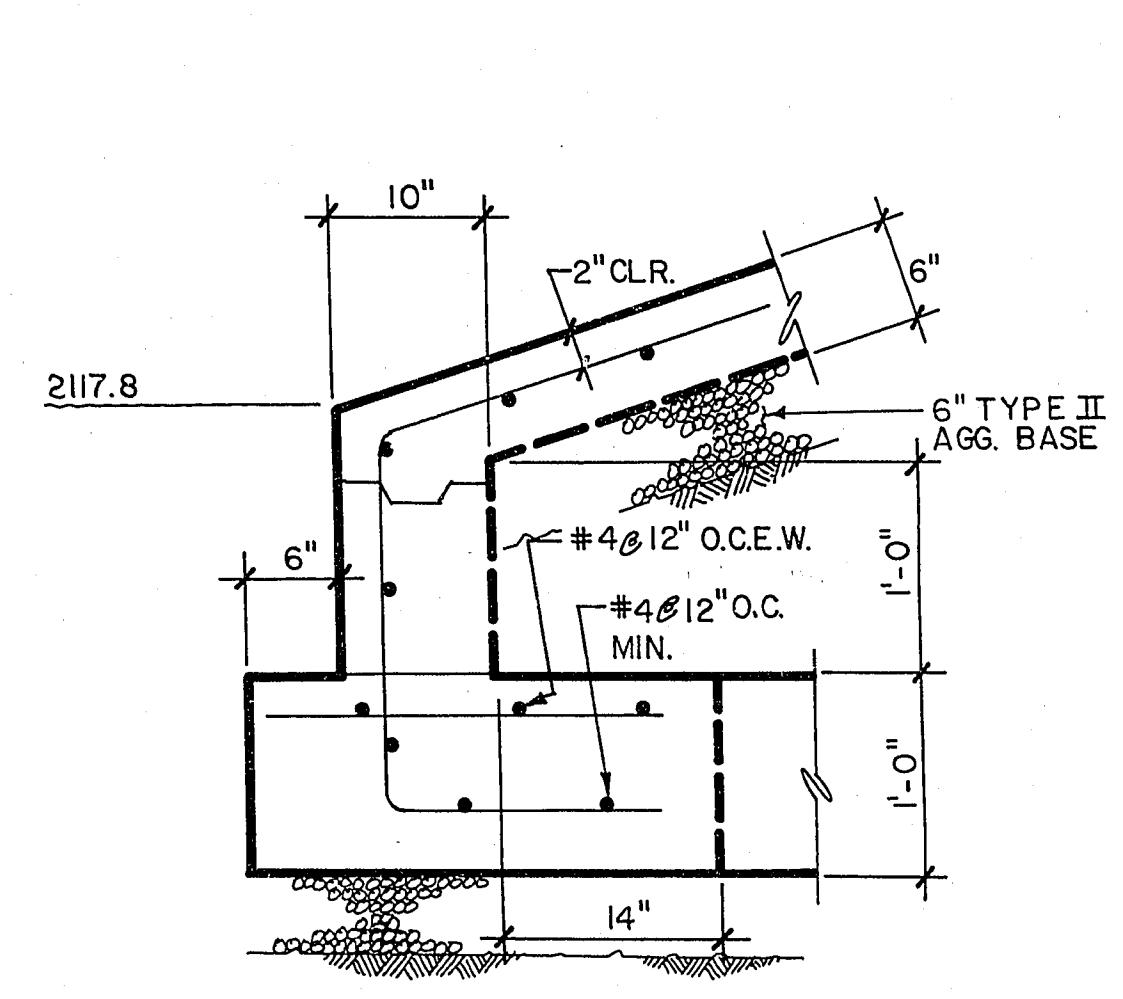
ENDWALL SECTION
NO SCALE



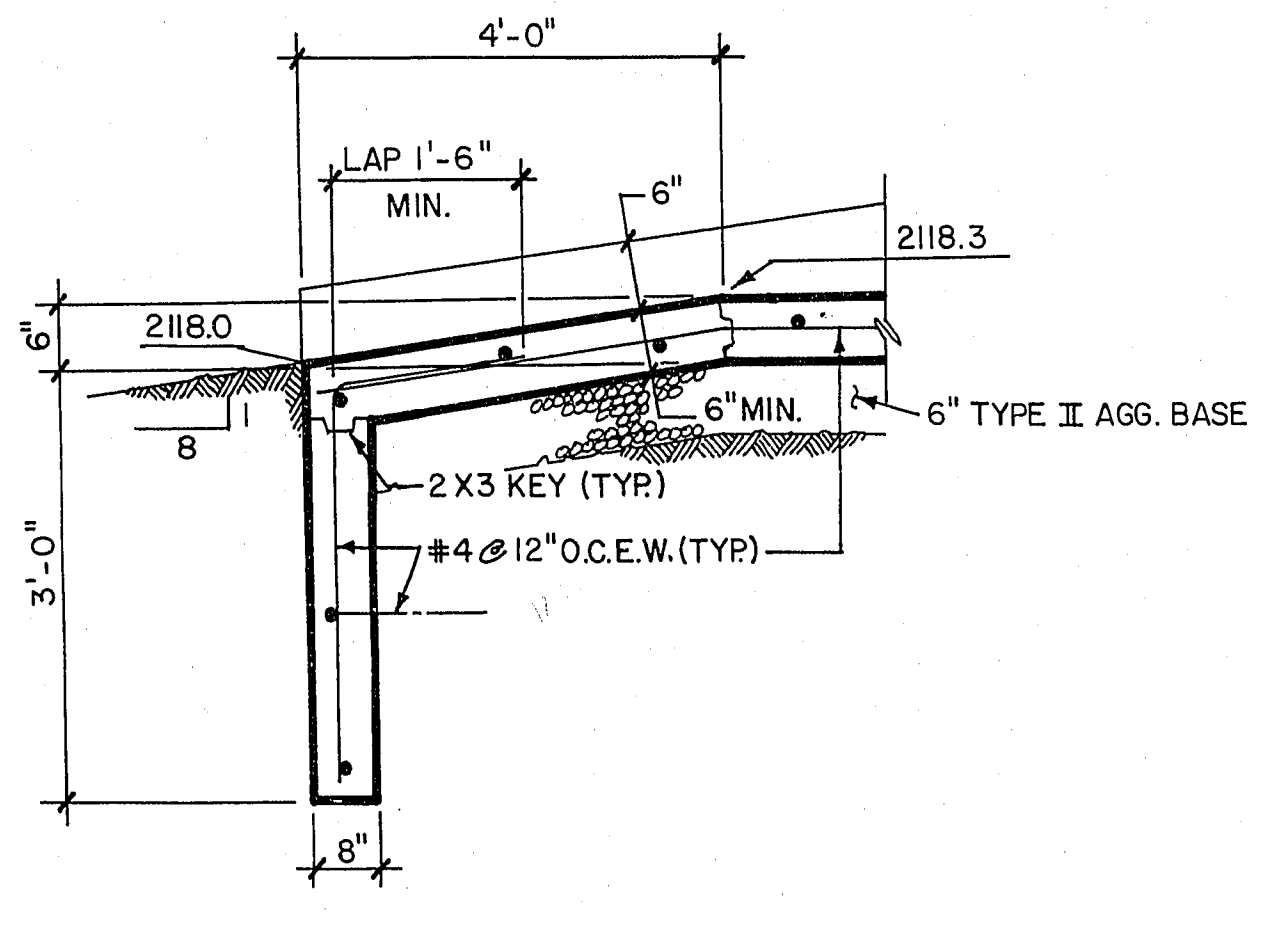
SECTION
NO SCALE



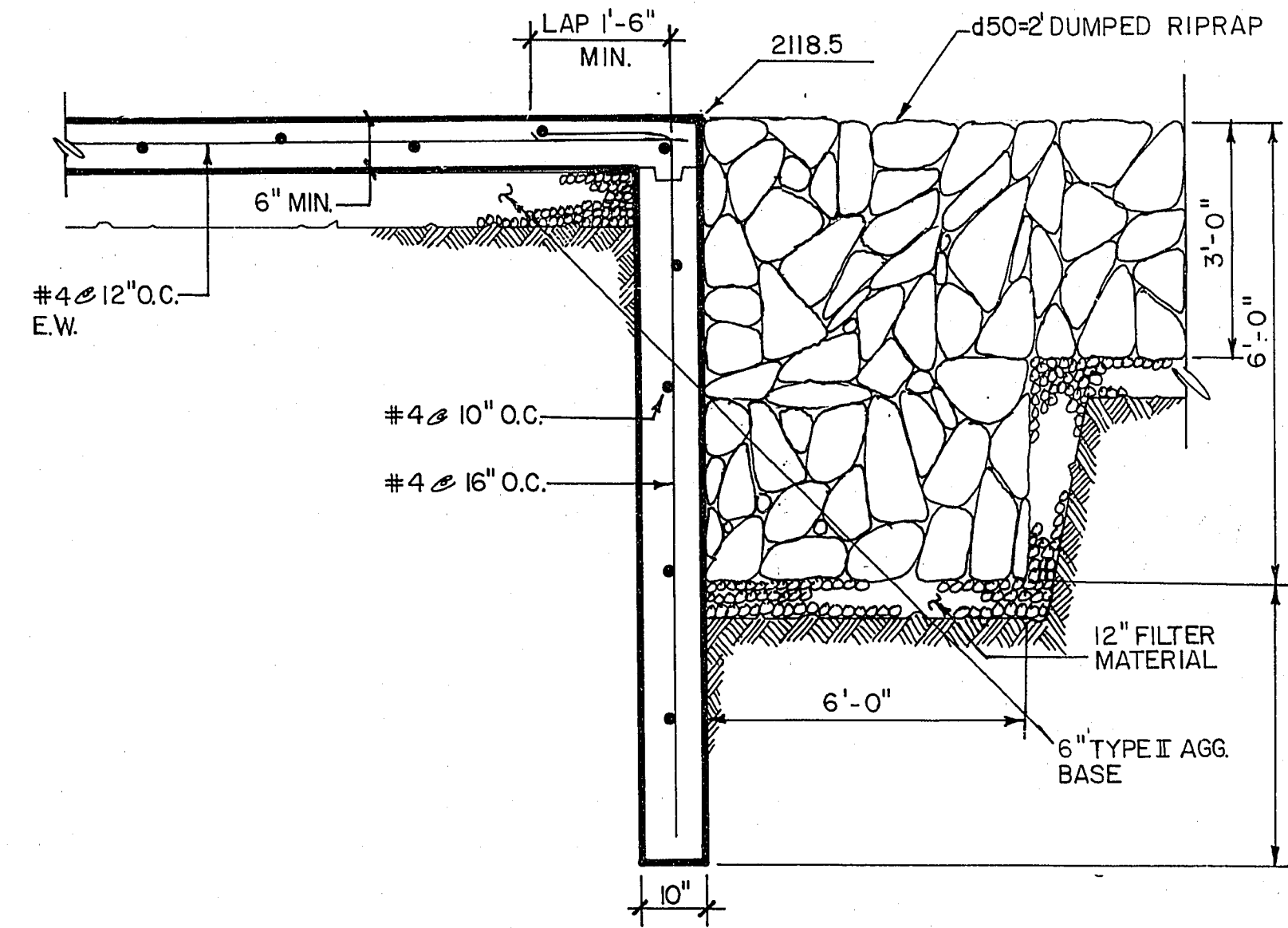
ENDWALL DETAIL
NO SCALE



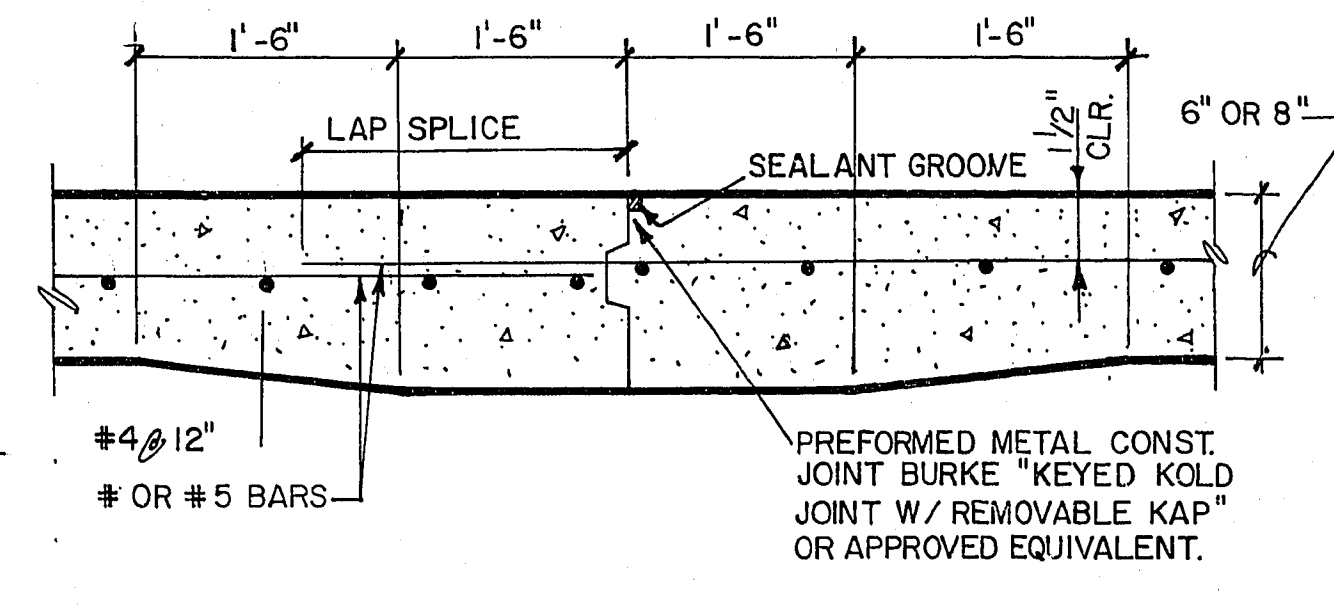
FOOTING DETAIL
NO SCALE



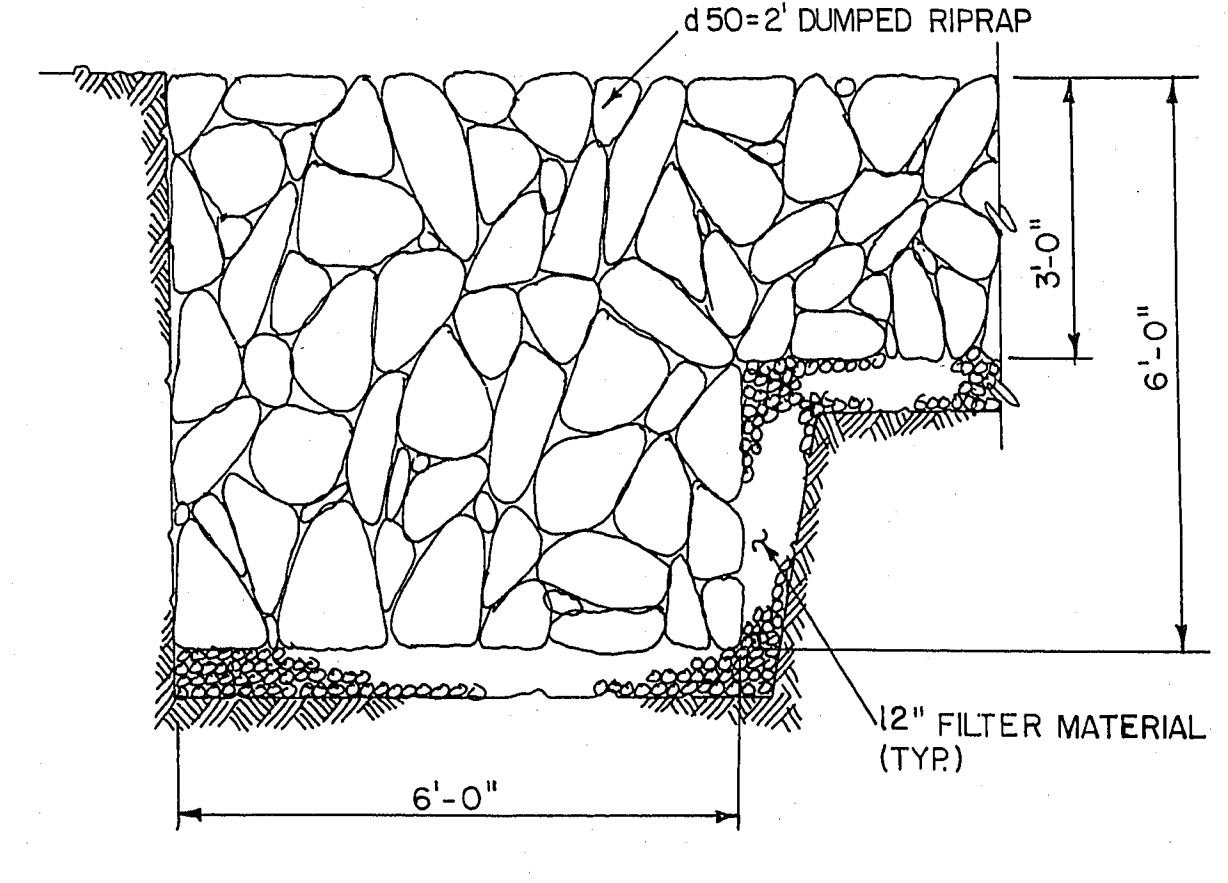
DETAIL
NO SCALE



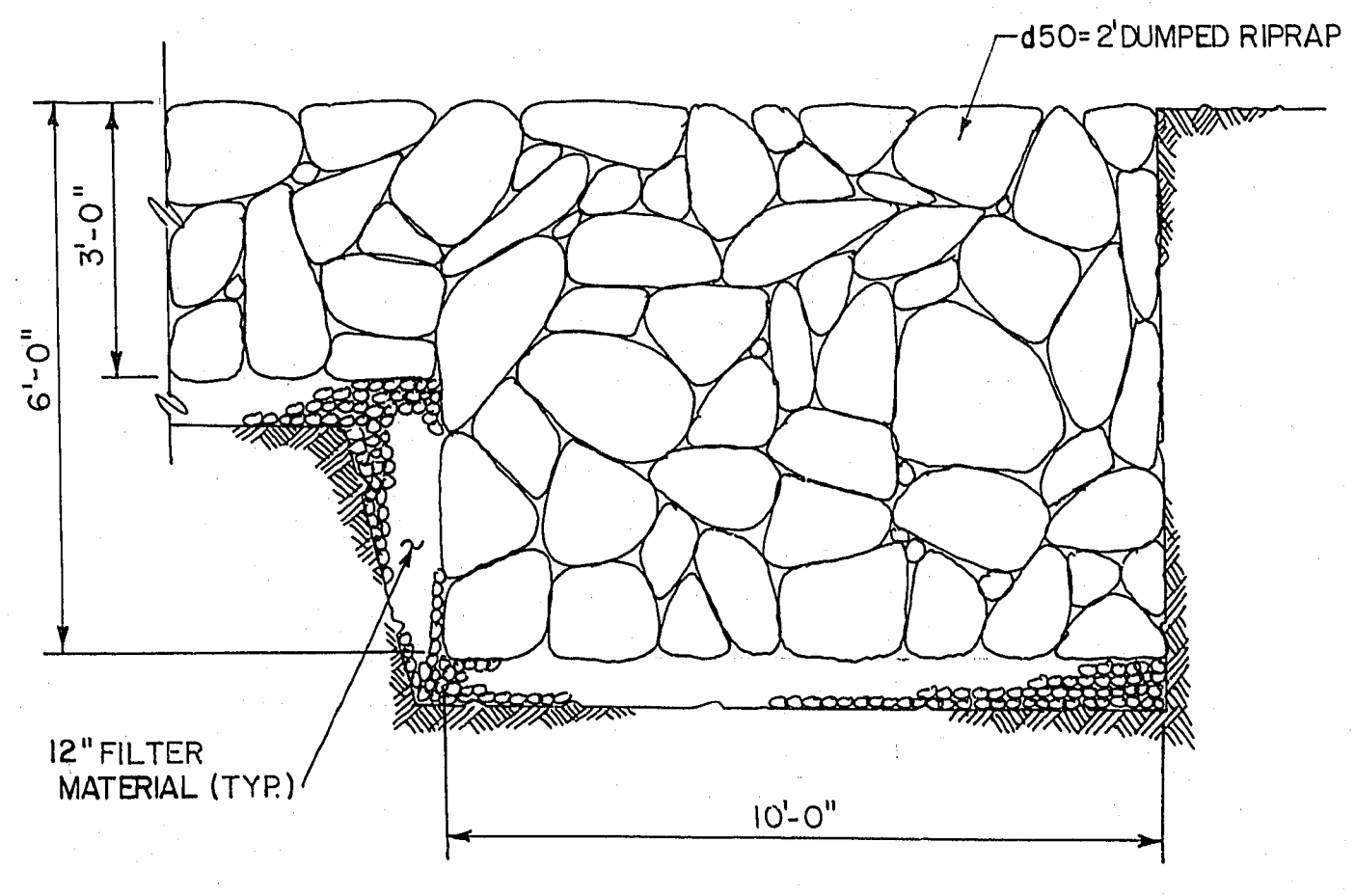
DETAIL
NO SCALE



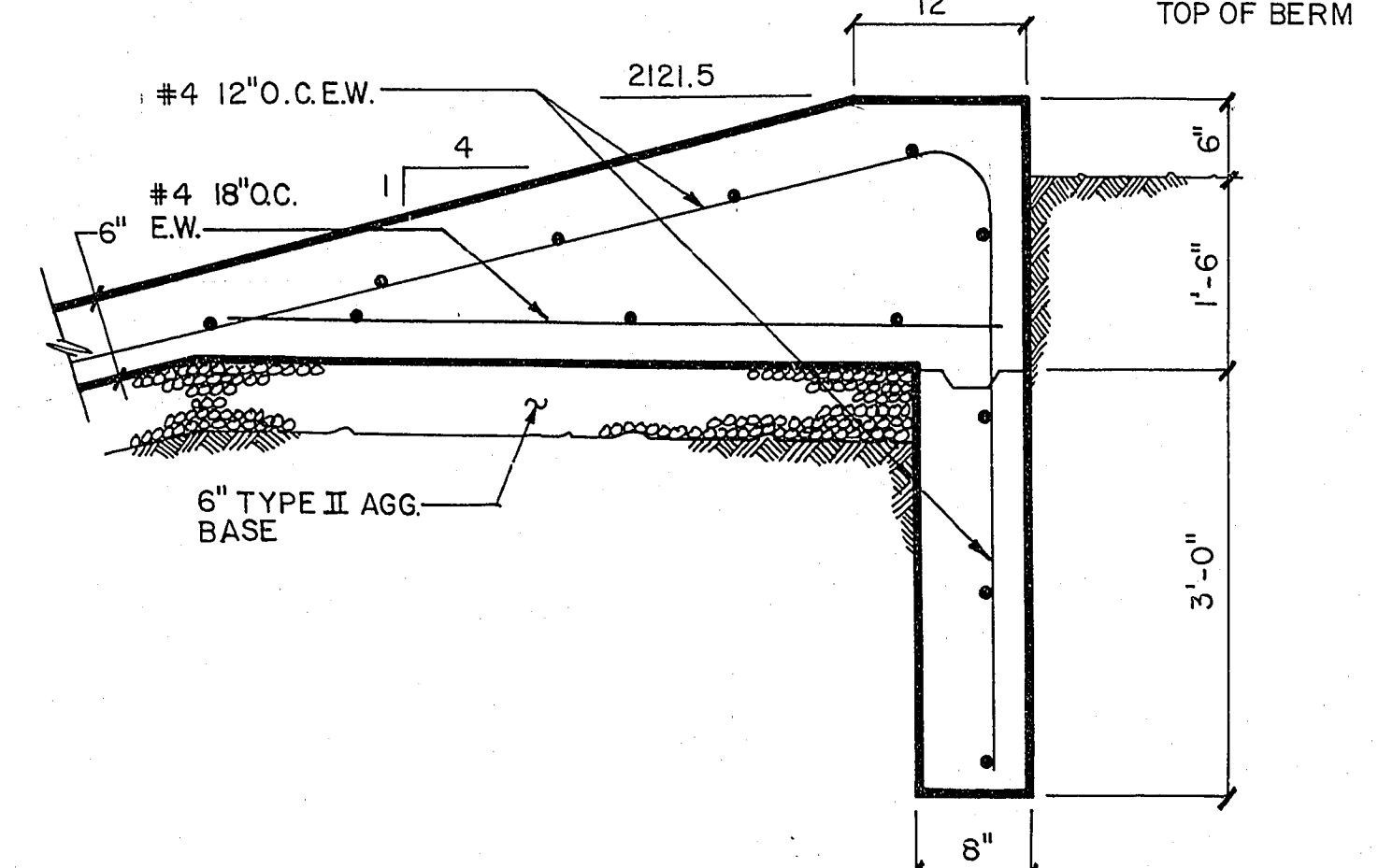
TYPICAL CONSTRUCTION JOINT DETAIL
NO SCALE



SECTION
NO SCALE



SECTION
NO SCALE



ENDWALL DETAIL
NO SCALE

CITY OF LAS VEGAS
CLARK COUNTY, NEVADA

CONSULTING ENGINEERS • PLANNERS • LAND SURVEYORS
2727 SOUTH RAINBOW BOULEVARD
LAS VEGAS, NEVADA 89102-5148 PHONE (702) 873-7550 FAX (702) 362-2597

REVISION
DATE BY

mtm nevada

SPILLWAY DETAILS

CAREY / LAKE MEAD
DETENTION BASIN

TITLE PROJECT

SEAL

PROFESSIONAL ENGINEER
DENISE E. STITZ
N.E.V. 12281

WO NO. 3996

BY MAS, WJR

DATE JUNE 5, 1991

SCALE AS NOTED
AS NOTED

SHEET 18 OF 31 SHEETS