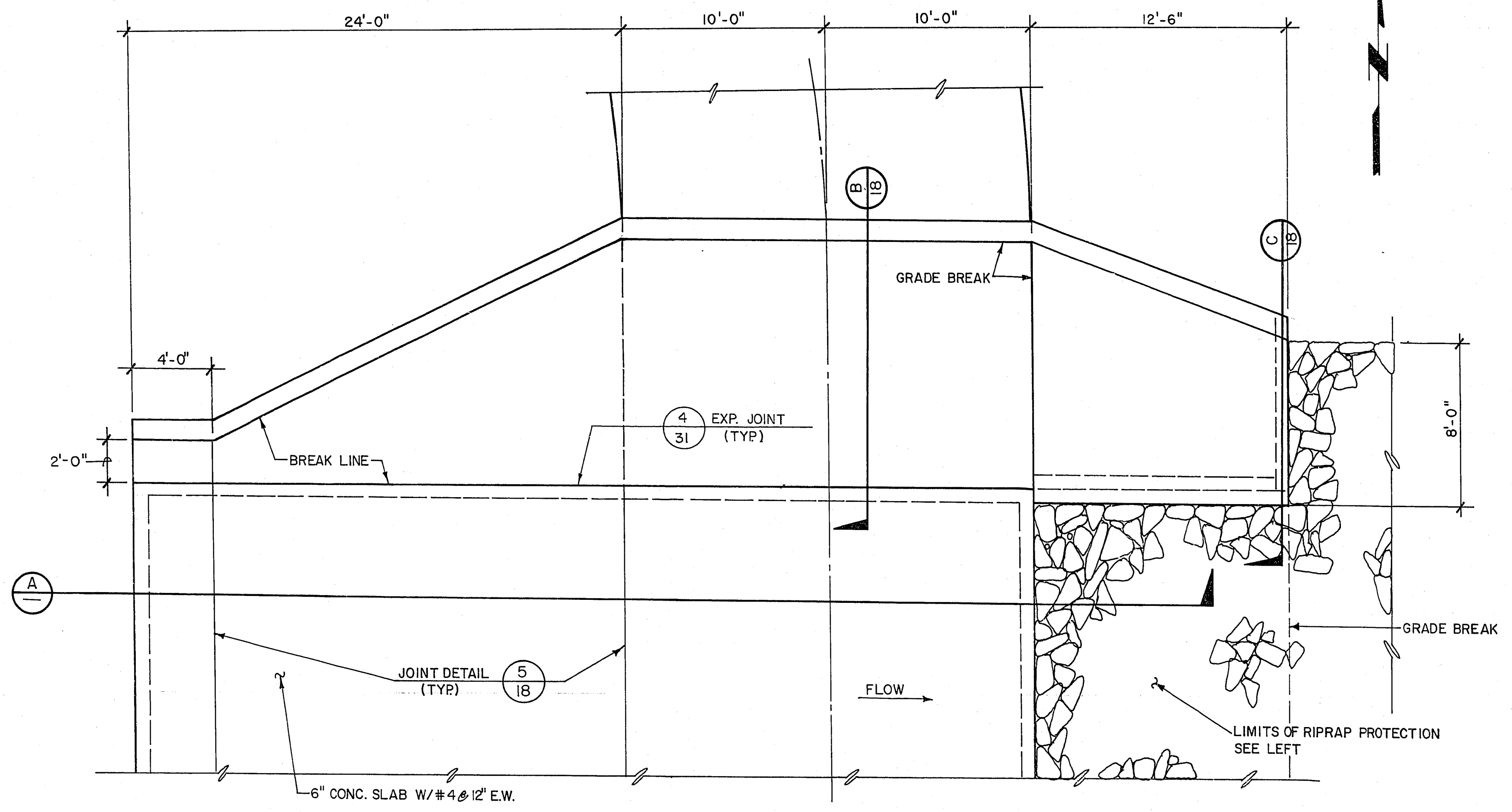
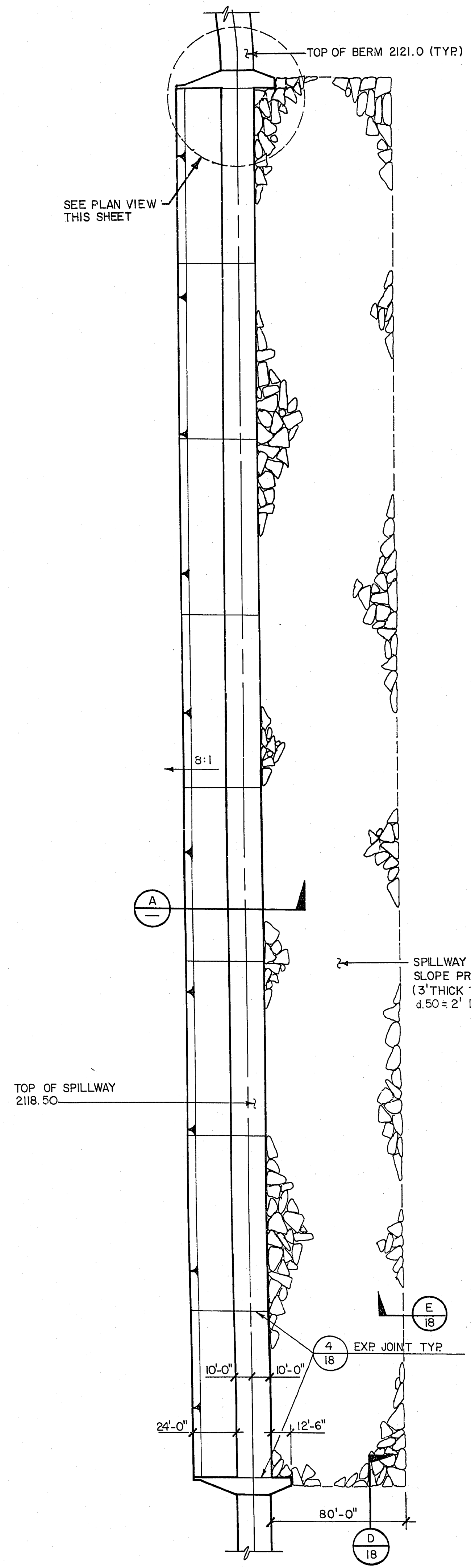
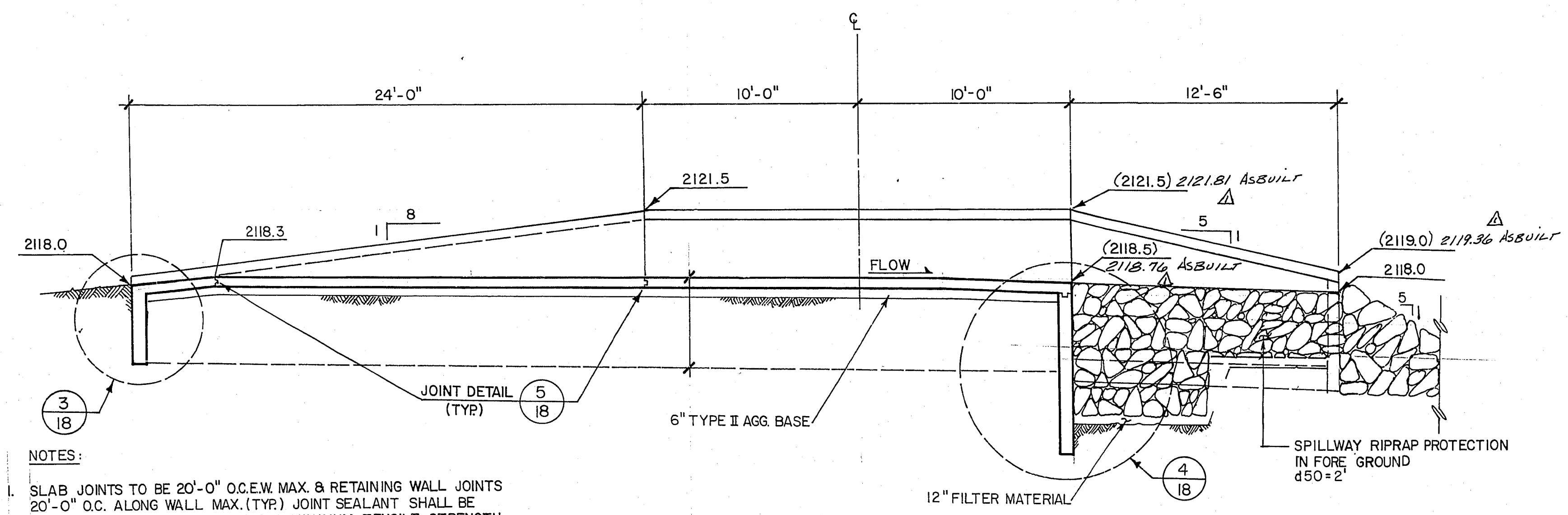


SITE PLAN
1" = 40'



SPILLWAY & END WALL PLAN
1" = 4'



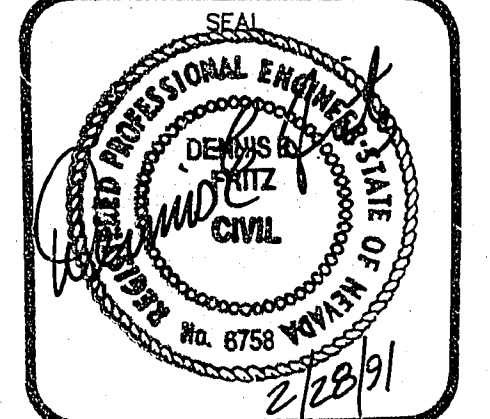
SPILLWAY SECTION
1" = 4'

- NOTES:
- SLAB JOINTS TO BE 20'-0" O.C.E.W. MAX. & RETAINING WALL JOINTS 20'-0" O.C. ALONG WALL MAX. (TYP.) JOINT SEALANT SHALL BE POLYURETHANE POLYMER HAVING A MINIMUM TENSILE STRENGTH OF 250 P.S.I. SEALANT SHALL BE PACIFIC POLYMER ELASTOTHANE 227R OR APPROVED EQUAL.
 - EXPANSION JOINTS TO BE AT 100' MAX. SPACING ALONG SPILLWAY PERPENDICULAR TO C-C OF DAM.

CITY OF LAS VEGAS	CLARK COUNTY, NEVADA	CONSULTING ENGINEERS • PLANNERS • LAND SURVEYORS
		2727 SOUTH RAINBOW BOULEVARD LAS VEGAS, NEVADA 89102-5148 PHONE (702) 873-7550 FAX (702) 362-2597

TITLE: SPILLWAY PLAN & DETAILS

PROJECT: CAREY / LAKE MEAD DETENTION BASIN



WO NO. 3996
BY MAS, WJR
DATE JUNE 5, 1991
SCALE AS NOTED
SHEET 17 OF 31 SHEETS